



**GE INDUSTRIAL MOTORS**  
a **WOLONG** company

# Product Technical Information

June 25, 2020

Data shown is for the current revision model #. Ensure your nameplate model # matches.

<b>Model Number:</b>	<b>5KS405XAA208D8</b>
<b>Catalog Number:</b>	<b>M9467</b>
<b>Instruction Manual:</b>	GEI-56128
<b>Connection Diagram:</b>	GEM2034E-FIG7
<b>Outline Drawing:</b>	239C6400PZ

## Accessory Connection Diagrams

<b>Bearing Thermocouple:</b>	None	<b>Heater:</b>	None
<b>RTD:</b>	None	<b>Thermistor:</b>	None
<b>Thermostat:</b>	None	<b>Winding Thermocouple:</b>	None
<b>Bearing RTD:</b>	None		

## Table of Contents

Specification	01
Performance Characteristics	02
Outline Drawing	03
Connection Drawing(s)	04
Spare parts	05

Marks:

<b>MODEL NUMBER:</b>	<b>5KS405XAA208D8</b>	<b>Estimated Weight:</b>	1460 Lbs
<b>Outline Drawing:</b>	239C6400PZ	<b>Time Rating:</b>	CONT
<b>Connection Diagram:</b>	GEM2034E-FIG7	<b>Enclosure:</b>	TEFC
<b>Instruction Book:</b>	GEI-56128	<b>Encl Construction:</b>	841
<b>Design Code:</b>	40BD1159A	<b>Ambient Max(°C):</b>	40
<b>Type:</b>	KS	<b>Alt Ambient Max(°C):</b>	--
<b>Frame:</b>	405T	<b>Insulation Class:</b>	H
<b>Phases:</b>	3	<b>NEMA Design:</b>	B
<b>Poles:</b>	4	<b>Nominal Efficiency:</b>	95.4 %
<b>Output Power:</b>	100HP 74KW	<b>Guaranteed Efficiency:</b>	95.0 %
<b>RPM:</b>	1785	<b>3/4 Load Efficiency:</b>	95.6 %
<b>Voltage:</b>	460	<b>KVA Code:</b>	G
<b>Hertz:</b>	60	<b>Max KVAR:</b>	34.6
<b>Amps - FL:</b>	117.0	<b>Power Factor:</b>	83.5
<b>Service Factor:</b>	1.15	<b>Bearing - DE:</b>	6316ZC3
<b>Alt Service Factor:</b>	--	<b>Bearing - ODE:</b>	6316ZC3

Enclosure is Totally Enclosed Fan-Cooled

---

Stamped Nameplate Notes:

IEEE-STD-841-2009

DE BRG 80BC03JP3, ODE BRG 80BC03JP3

STAMP NP249A5564P051 AS BELOW:

MODEL:5KS405XAA208D8 S/N: XXX

CSA CERTIFIED CSA09.2216219 FOR EX NA IIC 200 C GC

CL 1 ZONE2 AEX NA IIC 200C;CL 1 DIV2 GRP ABCD 200C

IN -25C <= AMB <= 40C, 1.0 SF ON SINE-WAVE PWR

SURF TEMP 215C AT 1.15SF ON SINE-WAVE PWR

OR 200 C VT OR 230 C CT OR 200 C CHP PWM CONTROL

ALTERNATE RATING FOR PWM CONTROL 1.0SF 40C AMB

VT 0-60 HZ, CT 15-60 HZ, CHP 60-90 HZ.



**Additional Information:**

4P - T EXTN  
PAINTED FRAME ID & SHAFT,  
FAN COVER INSIDE & ODE E/S OUTSIDE  
700 CU IN - 3.00" NPT  
INPRO SEAL BOTH ENDS  
OIL RESISTANT SLEEVING ON LEADS  
.0015" TIR SHAFT RUNOUT  
ROUTINE TEST REPORT AND 5 POINT VIBRATION TEST  
REPORT INCLUDED IN C/B  
COPPER WASHER UNDER HEADS OF BEARING CAP BOLTS,  
APPLY TITE-SEAL (A50CD427A) ON BEARING CAP SCREWS,  
RABBETS AND PLUG THREADS.  
GROUND PAD  
F1 MOUNTING



**Performance Characteristics**

1st Winding 1st Connection

**Design: 40BD1159A**

**Marks:**

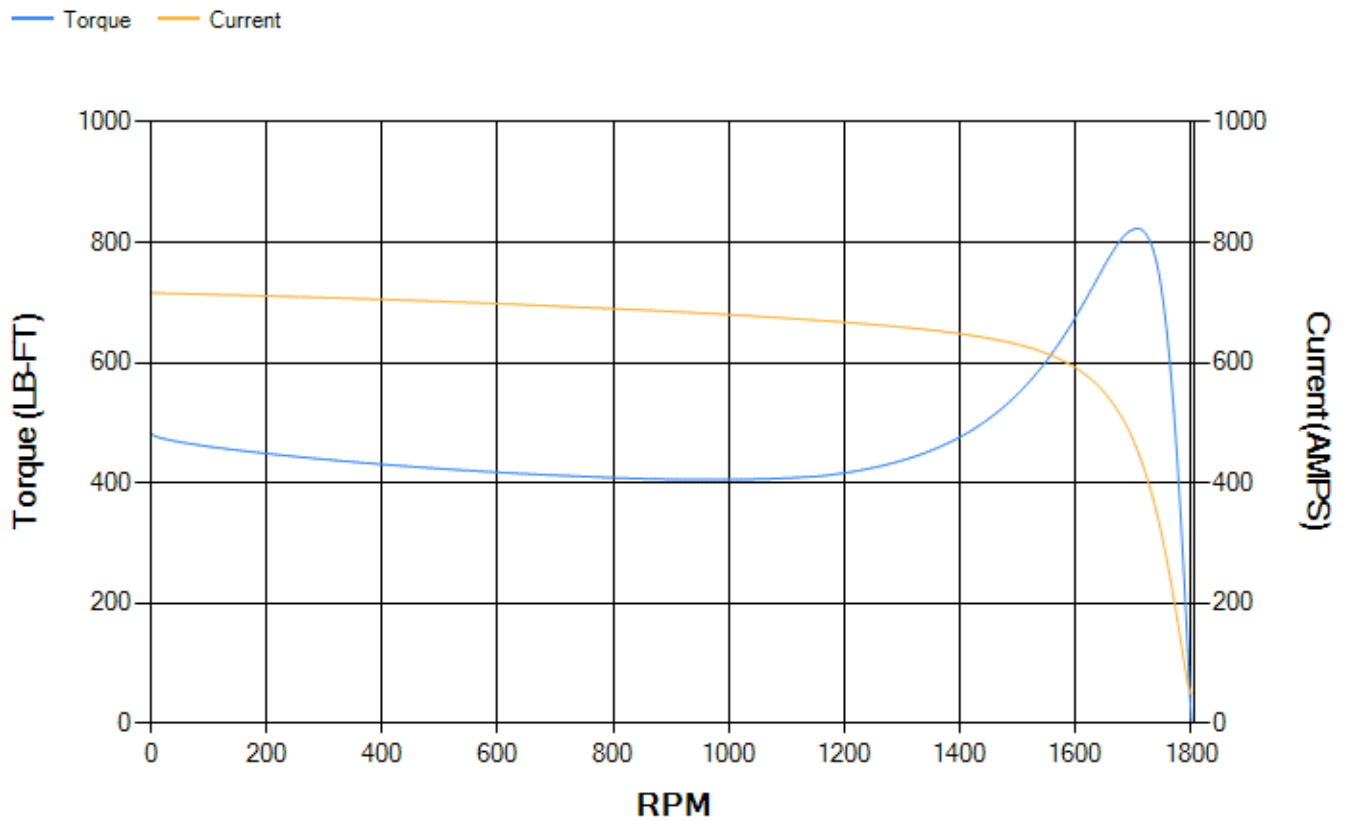
LOAD %	125.0	115.0	100.0	75.0	50.0	25.0	0.0
% EFF	94.93	95.13	95.58	95.57	95.2	92.81	0.00
% PF	85.46	84.81	83.3	78.51	68.1	45.2	3.16
AMPS	144.2	133.4	117.56	93.55	72.19	55.77	48.37

<b>TORQ(FL)#FT</b>	294.32	<b>TORQ(LR)%FL</b>	164.02	<b>TORQ(BD)%FL</b>	278.95
<b>AMPS(LR)</b>	715.84	<b>PF AT START</b>	0.32		

This motor is capable of two cold or one hot start with a maximum connected load inertia of 2242 Lb-Ft Sq (94.39 Kg-meter Sq)at 100% voltage, where the load torque varies with the square of the speed. Acceleration time with maximum inertia and the above load type is 35 seconds. Safe stall time at 100% voltage is 75 seconds cold, 42 seconds hot. Rotor inertia is 23.13 Lb-Ft Sq (0.97 Kg-meter Sq).

<b>Open Circuit A-C:</b>	0.673	<b>Short Circuit D-C:</b>	0.025
<b>Short Circuit A-C:</b>	0.041	<b>X/R Ratio:</b>	9.474
<b>Stator Slots:</b>	72	<b>Rotor Slots:</b>	58

**Speed Torque Current Curve (First Connection, First Speed)**

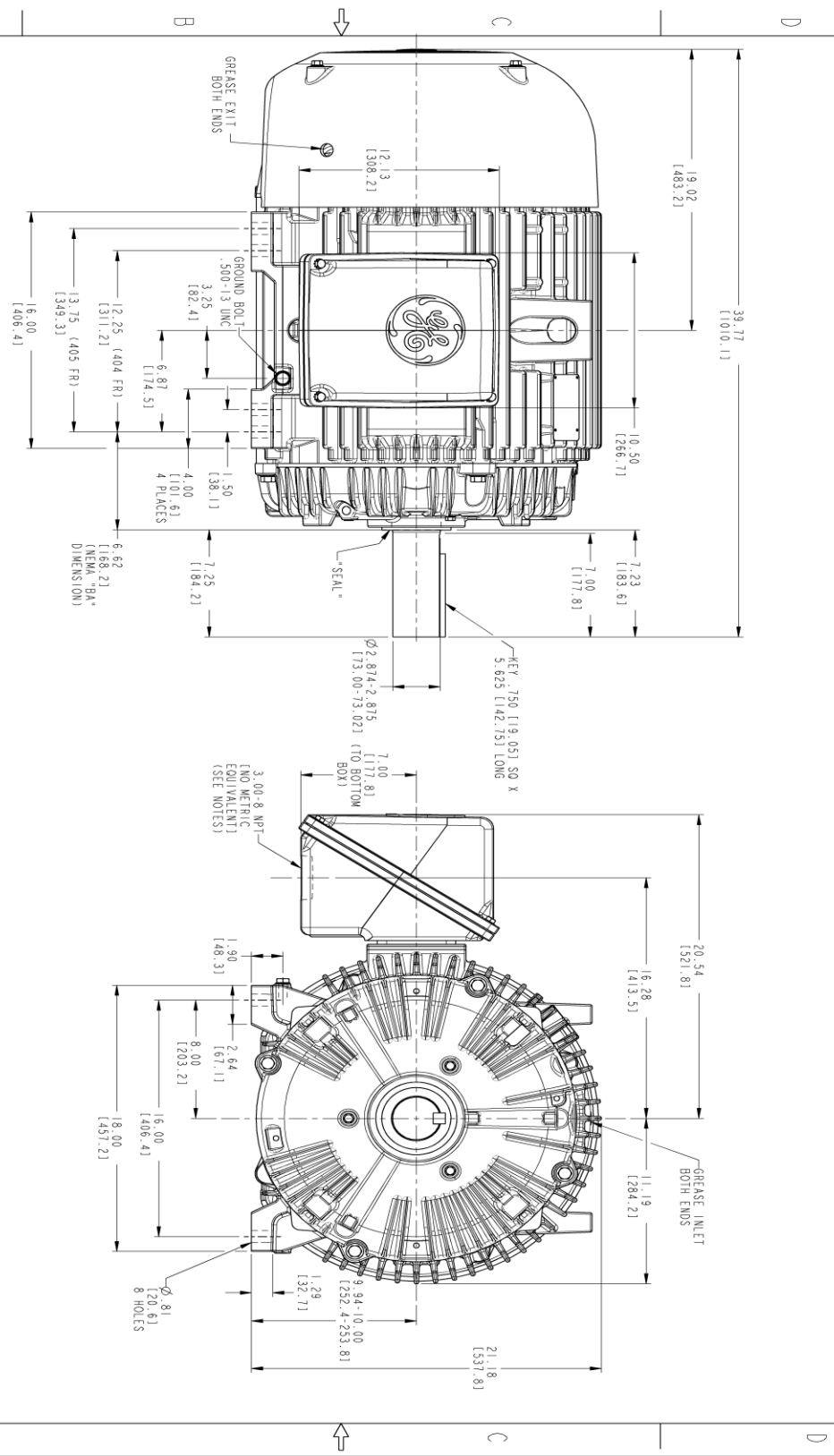


Marks:

REPRODUCTION INFORMATION  
 It is prohibited to reproduce or disseminate any part of this drawing without the written permission of GE Industrial Motors. Any unauthorized reproduction or use of this drawing is strictly prohibited. The user assumes all liability for any errors or omissions in this drawing. The information contained herein is for reference only and does not constitute an offer or a contract. The information contained herein is subject to change without notice. The information contained herein is the property of GE Industrial Motors and is confidential. Any unauthorized disclosure of this information is strictly prohibited.

REV.	DESCRIPTION	DATE	APPROVED
1	ISSUE 18-0869	11/19/18	PARSHANTH

TITLE DRAWING NO.	239C6400PZ 001
REV. NO.	001
SHEET	1



NOTES:  
 1. CONDUIT BOX MAY BE PLACED WITH THE ENTRANCE DOWN, UP OR ON EITHER SIDE.  
 2. F-1 ASSEMBLY AS SHOWN.  
 3. F-2 ASSEMBLY CONDUIT BOX ON OPPOSITE SIDE.  
 4. BRACKETED DIMENSIONS ARE METRIC (MILLIMETERS).  
 5. TOLERANCE ON PERMISSIBLE SHAFT EXTENSION RUNOUT IS .0015 T.I.R.



THIRD ANGLE PROJECTION

SIGNATURES	DATE	TITLE
MODEL: TEJANI 06/29/15		 <b>GE INDUSTRIAL MOTORS</b> a WOLONG company <b>OUTLINE</b> 404/405 T TEFC XSD 841 700 CU. IN. CONDUIT BOX <b>239C6400PZ</b> 001
DESIGN: TEJANI 06/29/15		
CHECKED: KARTHICK 06/29/15		
DATE: VIKRAM 06/29/15		
QUALITY: TEJANI 06/29/15		
SCALE: 0.250		
REF. NO.: 239C64006		
SHEET 1 OF 1		

Marks:

**Connection Diagram**  
**GEM2034E-FIG7**



End shield Assembly		
Part Description	DE Side Part#	ODE Side Part#
End Shield	115E4304AA1	115E4304LL1
Bearing	235A2518AC01	235A2518AC01
Slinger/Inproseal	235A4575GS4	235A4575GS4

Fan & Fan Cover Assembly	
Part Description	Part#
Fan	159C7100AA2
Fan Cover	128D6832AA1

Conduit & Accessories Box Assembly	
Part Description	Part#
Conduit Box	118D4408AD2

Mechanical Accessories	
Part Description	Part#
Brake	
Tachometer	

