



GE INDUSTRIAL MOTORS
a **WOLONG** company

Product Technical Information

June 25, 2020

Data shown is for the current revision model #. Ensure your nameplate model # matches.

Model Number:	5KS444XAA208D8
Catalog Number:	M9471
Instruction Manual:	GEI-56128
Connection Diagram:	GEM2034E-FIG7
Outline Drawing:	239C6600YF

Accessory Connection Diagrams

Bearing Thermocouple:	None	Heater:	None
RTD:	None	Thermistor:	None
Thermostat:	None	Winding Thermocouple:	None
Bearing RTD:	None		

Table of Contents

Specification	01
Performance Characteristics	02
Outline Drawing	03
Connection Drawing(s)	04
Spare parts	05

Marks:

MODEL NUMBER:	5KS444XAA208D8	Estimated Weight:	1810 Lbs
Outline Drawing:	239C6600YF	Time Rating:	CONT
Connection Diagram:	GEM2034E-FIG7	Enclosure:	TEFC
Instruction Book:	GEI-56128	Encl Construction:	841
Design Code:	44BD1156A	Ambient Max(°C):	40
Type:	KS	Alt Ambient Max(°C):	--
Frame:	444T	Insulation Class:	H
Phases:	3	NEMA Design:	B
Poles:	4	Nominal Efficiency:	95.4 %
Output Power:	125HP 92.5KW	Guaranteed Efficiency:	95.0 %
RPM:	1785	3/4 Load Efficiency:	95.7 %
Voltage:	460	KVA Code:	G
Hertz:	60	Max KVAR:	39.8
Amps - FL:	145.0	Power Factor:	84.5
Service Factor:	1.15	Bearing - DE:	6318ZC3
Alt Service Factor:	--	Bearing - ODE:	6318ZC3

Enclosure is Totally Enclosed Fan-Cooled

Stamped Nameplate Notes:

IEEE-STD-841-2009
 DE BRG 90BC03JP3, ODE BRG 90BC03JP3
 STAMP NP249A5564P051 AS BELOW:
 MODEL:5KS444XAA208D8 S/N: XXX
 CSA CERTIFIED CSA09.2216219 FOR EX NA IIC 200 C GC
 CL 1 ZONE2 AEX NA IIC 200C;CL 1 DIV2 GRP ABCD 200C
 IN -25C <= AMB <= 40C, 1.0 SF ON SINE-WAVE PWR
 SURF TEMP 215C AT 1.15SF ON SINE-WAVE PWR
 OR 200 C VT OR 230 C CT OR 260 C CHP PWM CONTROL
 ALTERNATE RATING FOR PWM CONTROL 1.0SF 40C AMB
 VT 0-60 HZ, CT 6.7-60 HZ, CHP 60-90 HZ.



Additional Information:

4P - T EXTN
PAINTED FRAME ID & SHAFT,
FAN COVER INSIDE & ODE E/S OUTSIDE
700 CU IN - 3.00" NPT
INPRO SEAL BOTH ENDS
OIL RESISTANT SLEEVING ON LEADS
.0015" TIR SHAFT RUNOUT
ROUTINE TEST REPORT AND 5 POINT VIBRATION TEST
REPORT INCLUDED IN C/B
COPPER WASHER UNDER HEADS OF BEARING CAP BOLTS,
APPLY TITE-SEAL (A50CD427A) ON BEARING CAP SCREWS,
RABBETS AND PLUG THREADS.
GROUND PAD
F1 MOUNTING



Performance Characteristics

1st Winding 1st Connection

Design: 44BD1156A

Marks:

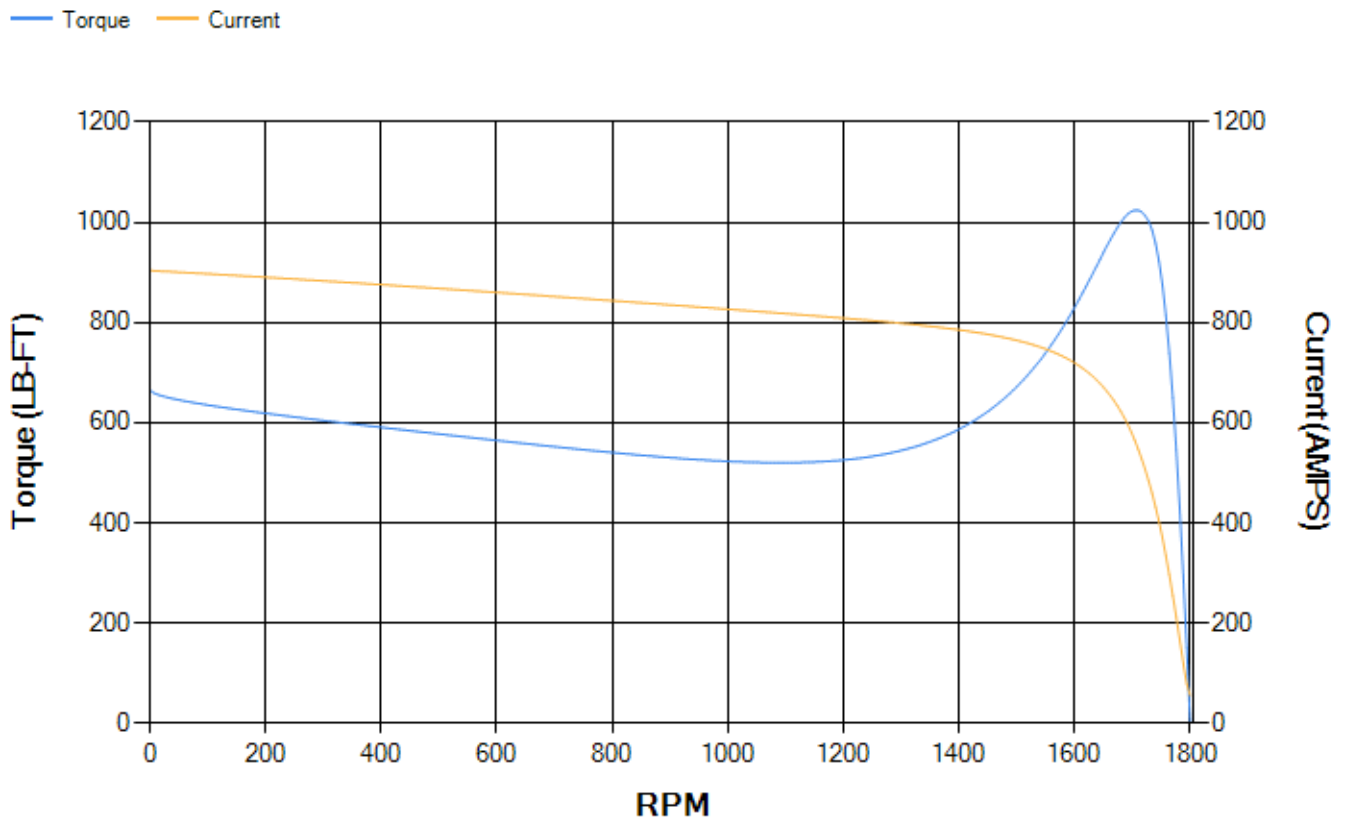
LOAD %	125.0	115.0	100.0	75.0	50.0	25.0	0.0
% EFF	95.06	95.26	95.69	95.67	95.3	92.94	0.00
% PF	86.35	85.84	84.59	80.38	70.75	48.14	3.4
AMPS	178.16	164.53	144.55	114.1	86.75	65.37	55.54

TORQ(FL)#FT	368.12	TORQ(LR)%FL	181	TORQ(BD)%FL	277.86
AMPS(LR)	903.79	PF AT START	0.32		

This motor is capable of two cold or one hot start with a maximum connected load inertia of 1902 Lb-Ft Sq (80.07 Kg-meter Sq) at 100% voltage, where the load torque varies with the square of the speed. Acceleration time with maximum inertia and the above load type is 23 seconds. Safe stall time at 100% voltage is 55 seconds cold, 28 seconds hot. Rotor inertia is 47.44 Lb-Ft Sq (2 Kg-meter Sq).

Open Circuit A-C:	0.686	Short Circuit D-C:	0.028
Short Circuit A-C:	0.039	X/R Ratio:	10.63
Stator Slots:	72	Rotor Slots:	58

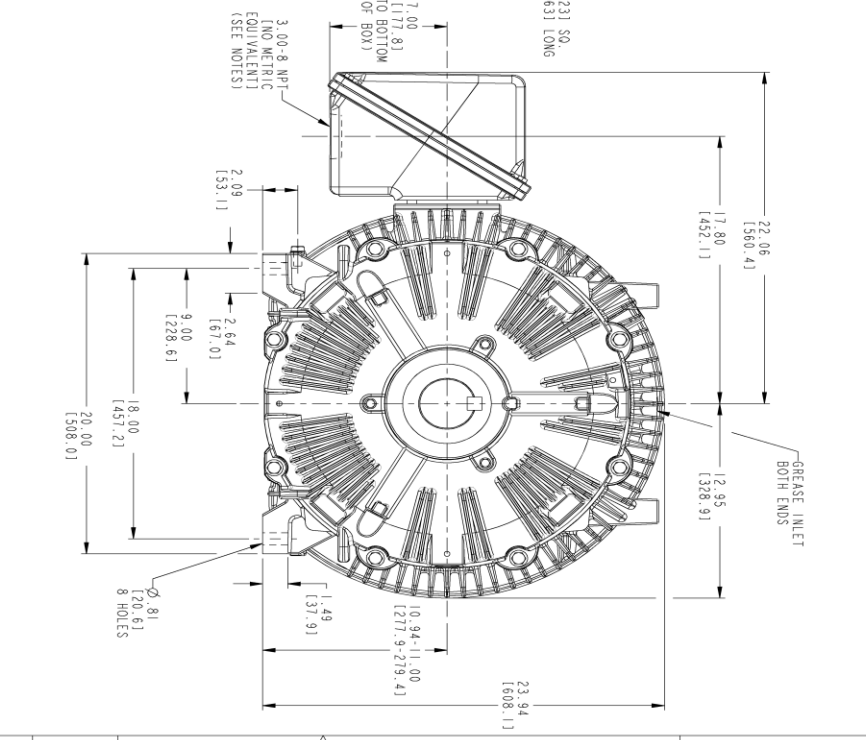
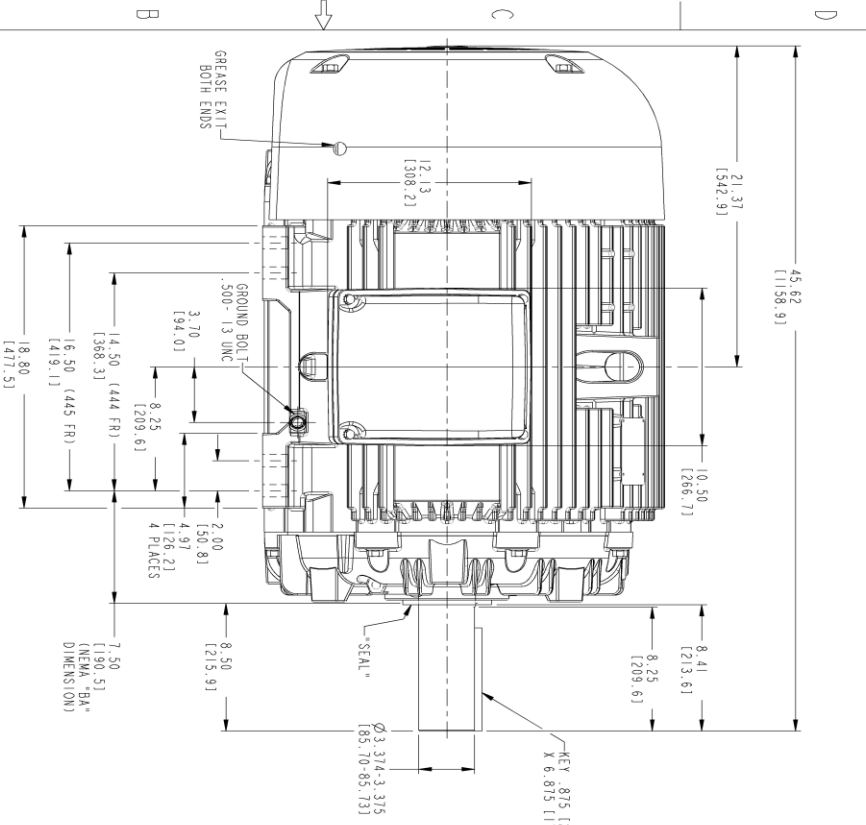
Speed Torque Current Curve (First Connection, First Speed)



Marks:

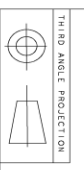
REV.	DESCRIPTION	DATE	APPROVED
REV. DESCRIPTIONS			

TITLE DRAWING NO. 239C6600YF 0
 SHEET 1



NOTES:

1. CONDUIT BOX MAY BE PLACED WITH THE ENTRANCE DOWN, UP OR ON EITHER.
2. F-1 ASSEMBLY AS SHOWN.
3. F-2 ASSEMBLY CONDUIT BOX ON OPPOSITE SIDE.
4. ALL DIMENSIONS ARE IN INCHES. BRACKETED DIMENSIONS ARE METRIC (MILLIMETERS).
5. TOLERANCE ON PERMISSIBLE SHAFT EXTENSION MINIMUM IS .0015". I, I, R.



THIRD ANGLE PROJECTION

SIGNATURES	DATE	 GENERAL ELECTRIC COMPANY OUTLINE 444/445 T TEFC XSD 841 700 CU. IN. CONDUIT BOX, INPRO SEAL 239C6600YF REV 0
MODEL	06/28/15	
DESIGN	06/28/15	
CHECKED	06/28/15	
DATE	06/28/15	
SCALE: 0.200	REF. No.: 239C6600AG	SHEET 1 OF 1

14 13 12 11

Marks:

Connection Diagram
GEM2034E-FIG7



End shield Assembly		
Part Description	DE Side Part#	ODE Side Part#
End Shield	115E4355AA1	115E4355LM1
Bearing	235A2514AG01	235A2514AG01
Slinger/Inproseal	235A4575GS5	235A4575GS5

Fan & Fan Cover Assembly	
Part Description	Part#
Fan	159C7100AA2
Fan Cover	128D6841AA1

Conduit & Accessories Box Assembly	
Part Description	Part#
Conduit Box	118D4408AD2

Mechanical Accessories	
Part Description	Part#
Brake	
Tachometer	

