



GE INDUSTRIAL MOTORS
a **WOLONG** company

Product Technical Information

November 11, 2022

Data shown is for the current revision model #. Ensure your nameplate model # matches.

Model Number:	5KS364XAA2034D
Catalog Number:	M9530
Instruction Manual:	GEI-56128
Connection Diagram:	GEM2034E-FIG7
Outline Drawing:	239C6205CP

Accessory Connection Diagrams

Bearing Thermocouple:	None	Heater:	None
RTD:	None	Thermistor:	None
Thermostat:	None	Winding Thermocouple:	None
Bearing RTD:	None		

Table of Contents

Specification	01
Performance Characteristics	02
Outline Drawing	03
Connection Drawing(s)	04
Spare parts	05

Marks:

MODEL NUMBER: 5KS364XAA2034D
Outline Drawing: 239C6205CP
Connection Diagram: GEM2034E-FIG7
Instruction Book: GEI-56128
Design Code: 36BD1188A
Type: KS
Frame: 364TC
Phases: 3
Poles: 4
Output Power: 60HP 44.4KW
RPM: 1780
Voltage: 460
Hertz: 60
Amps - FL: 71.7
Service Factor: 1.15
Alt Service Factor: --

Estimated Weight: 970 Lbs
Time Rating: CONT
Enclosure: TEFC
Encl Construction: 841
Ambient Max(°C): 40
Alt Ambient Max(°C): --
Insulation Class: H
NEMA Design: B
Nominal Efficiency: 95.0 %
Guaranteed Efficiency: 94.5 %
3/4 Load Efficiency: --
KVA Code: G
Max KVAR: 20.9
Power Factor: 82.5
Bearing - DE: 6314ZZC3
Bearing - ODE: 6314ZZC3

Enclosure is Totally Enclosed Fan-Cooled

Stamped Nameplate Notes:

IEEE-STD-841-2009

DE BRG 70BC03JPP3, ODE BRG 70BC03JPP3

STAMP NP249A5564P051 AS BELOW:

MODEL:5KS364XAA2034D S/N: XXX

CSA CERTIFIED CSA09.2216219 FOR EX NA IIC 200 C GC

CL 1 ZONE2 AEX NA IIC 200C;CL 1 DIV2 GRP ABCD 200C

IN -25C <= AMB <= 40C, 1.0 SF ON SINE-WAVE PWR

SURF TEMP 260C AT 1.15SF ON SINE-WAVE PWR

OR 200C VT OR 230C CT OR 200C CHP PWM CONTROL

ALTERNATE RATING FOR PWM CONTROL 1.0SF 40C AMB

VT 0-60 HZ, CT 6-60 HZ, CHP 60-90 HZ.



Additional Information:

4P - T EXTN
C FACE ON DE
C/BOX 346 CU IN - 3.00" NPT
INPRO SEAL BOTH ENDS
OIL RESISTANT SLEEVING ON LEADS
.0015" TIR SHAFT RUNOUT
ROUND FRAME
GROUND PAD
VERTICAL MOUNT SHAFT DOWN WITH DRIP COVER
PAINTED FRAME ID & SHAFT,
FAN COVER INSIDE & ODE E/S OUTSIDE
ROUTINE TEST REPORT AND 5 POINT VIBRATION TEST
REPORT INCLUDED IN C/B
COPPER WASHER UNDER HEADS OF BEARING CAP BOLTS,
APPLY TITE-SEAL (A50CD427A) ON BEARING CAP SCREWS,
RABBETS AND PLUG THREADS.



Performance Characteristics

1st Winding 1st Connection

Design: 36BD1188A

Marks:

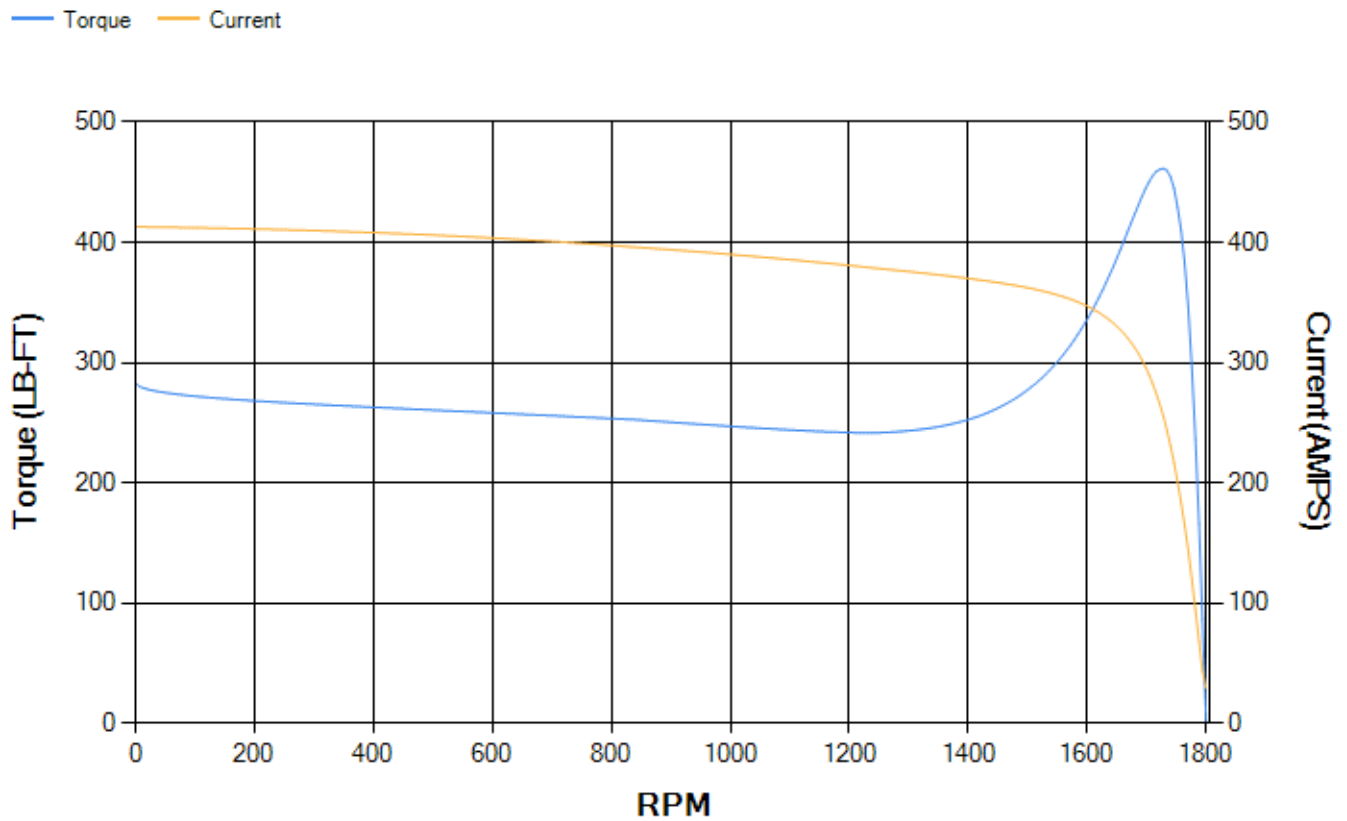
LOAD %	125.0	115.0	100.0	75.0	50.0	25.0	0.0
% EFF	94.37	94.62	95.12	95.18	94.85	92.37	0.00
% PF	84.32	83.76	82.36	77.74	67.51	44.89	3.18
AMPS	88.21	81.49	71.51	56.91	43.85	33.86	29.19

TORQ(FL)#FT	176.81	TORQ(LR)%FL	160.18	TORQ(BD)%FL	260.3
AMPS(LR)	412.91	PF AT START	0.31		

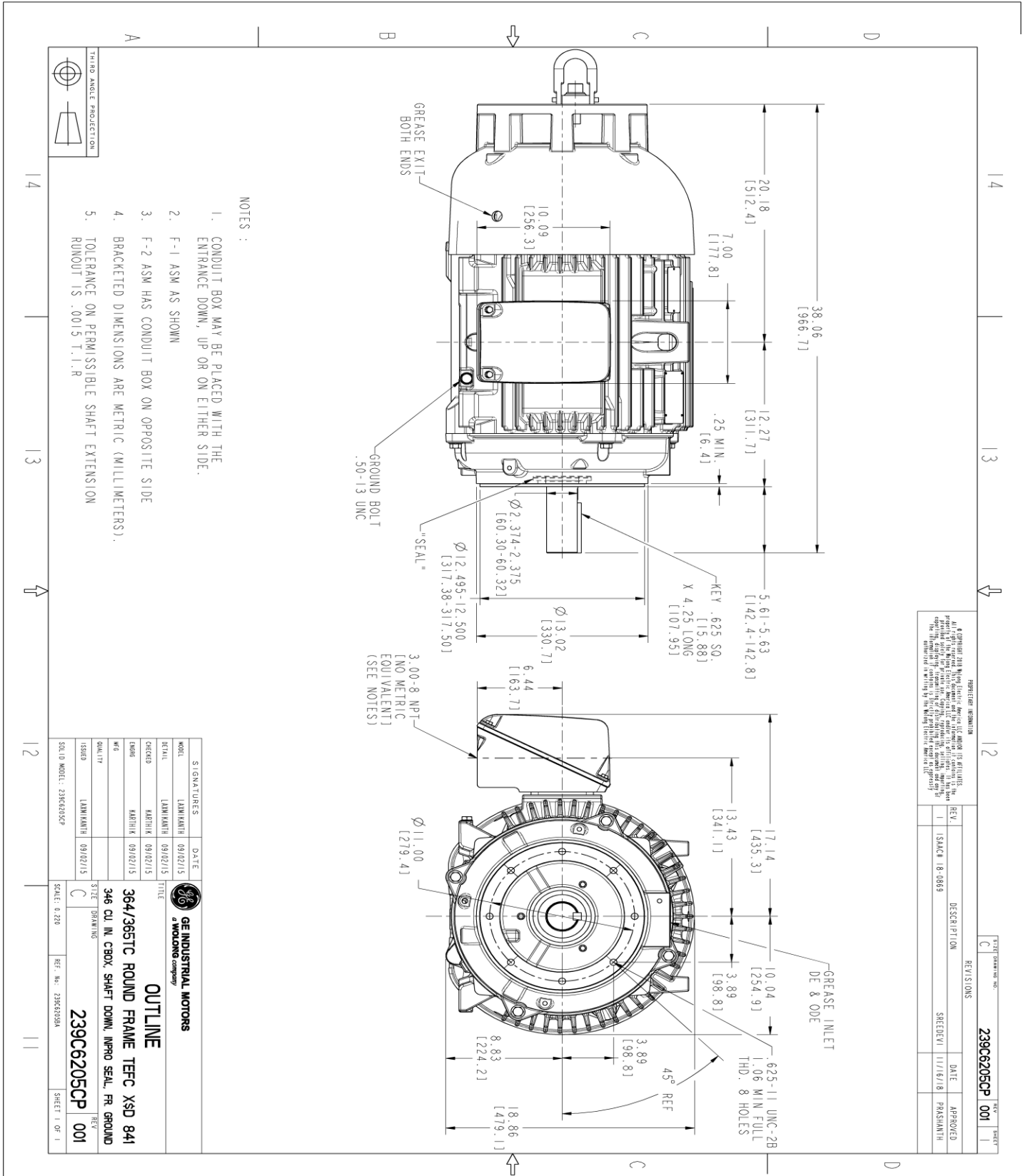
This motor is capable of two cold or one hot start with a maximum connected load inertia of 1190 Lb-Ft Sq (50.1 Kg-meter Sq)at 100% voltage, where the load torque varies with the square of the speed. Acceleration time with maximum inertia and the above load type is 33 seconds. Safe stall time at 100% voltage is 76 seconds cold, 39 seconds hot. Rotor inertia is 12.1 Lb-Ft Sq (0.51 Kg-meter Sq).

Open Circuit A-C:	0.601	Short Circuit D-C:	0.024
Short Circuit A-C:	0.035	X/R Ratio:	9.207
Stator Slots:	60	Rotor Slots:	50

Speed Torque Current Curve (First Connection, First Speed)



Marks:



PROHIBITION INFORMATION
 All rights reserved. This document is the property of GE Industrial Motors. It is not to be reproduced, stored in a retrieval system, or transmitted in any form or by any means, electronic, mechanical, photocopying, recording, or by any information storage and retrieval system, without the prior written permission of GE Industrial Motors. The information contained herein is the confidential and proprietary information of GE Industrial Motors.

REV.	DESCRIPTION	DATE	APPROVED
1	ISAC# 18-0869	11/16/18	PRASHANTH

TITLE: DRAWING NO. **239C6205CP 001**

NOTES :

1. CONDUIT BOX MAY BE PLACED WITH THE ENTRANCE DOWN, UP OR ON EITHER SIDE.
2. F-1 ASM AS SHOWN
3. F-2 ASM HAS CONDUIT BOX ON OPPOSITE SIDE
4. BRACKETED DIMENSIONS ARE METRIC (MILLIMETERS).
5. TOLERANCE ON PERMISSIBLE SHAFT EXTENSION RUNOUT IS .0015 T.I.R



THIRD ANGLE PROJECTION



OUTLINE

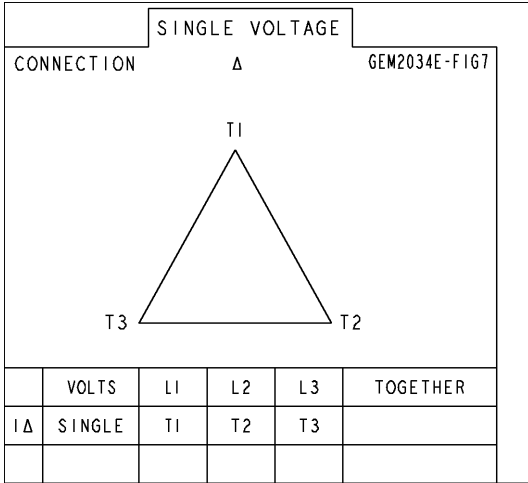
364/365TC ROUND FRAME TEFC XSD 841
 346 CU IN. CBOX, SHAFT DOWN, INPRO SEAL, FR GROUND

SIGNATURES	DATE
MODEL: LAMNANTH	09/02/15
CHECKED: LAMNANTH	09/02/15
DESIGN: MATHIK	09/02/15
DATE: MATHIK	09/02/15
ISSUED: LAMNANTH	09/02/15

SCALE: 0.250 REF. NO: 239C6205A
239C6205CP 001
 SHEET 1 OF 1

Marks:

Connection Diagram
GEM2034E-FIG7



End shield Assembly		
Part Description	DE Side Part#	ODE Side Part#
End Shield	115E4253AG1	115E4250LW1
Bearing	235A2516AF01	235A2516AF01
Slinger/Inproseal	235A4575GS3	235A4575GS3

Fan & Fan Cover Assembly	
Part Description	Part#
Fan	159C7100AA1
Fan Cover	128D6811AB1

Conduit & Accessories Box Assembly	
Part Description	Part#
Conduit Box	149C4429AA2

Mechanical Accessories	
Part Description	Part#
Brake	
Tachometer	

