



**GE INDUSTRIAL MOTORS**  
a **WOLONG** company

# Product Technical Information

January 30, 2021

Data shown is for the current revision model #. Ensure your nameplate model # matches.

<b>Model Number:</b>	<b>5KS405SAA404D7</b>
<b>Catalog Number:</b>	<b>M9536</b>
<b>Instruction Manual:</b>	GEI-56128
<b>Connection Diagram:</b>	GEM2034E-FIG1
<b>Outline Drawing:</b>	239C6400ZJ

## Accessory Connection Diagrams

<b>Bearing Thermocouple:</b>	None	<b>Heater:</b>	None
<b>RTD:</b>	None	<b>Thermistor:</b>	None
<b>Thermostat:</b>	None	<b>Winding Thermocouple:</b>	None
<b>Bearing RTD:</b>	None		

## Table of Contents

Specification	01
Performance Characteristics	02
Outline Drawing	03
Connection Drawing(s)	04
Spare parts	05

Marks:

**MODEL NUMBER:** 5KS405SAA404D7  
**Outline Drawing:** 239C6400ZJ  
**Connection Diagram:** GEM2034E-FIG1  
**Instruction Book:** GEI-56128  
**Design Code:** 40BD4024B  
**Type:** KS  
**Frame:** 405T  
**Phases:** 3  
**Poles:** 8  
**Output Power:** 60HP 44.4KW  
**RPM:** 890  
**Voltage:** 575  
**Hertz:** 60  
**Amps - FL:** 67.6  
**Service Factor:** 1.15  
**Alt Service Factor:** --

**Estimated Weight:** 1440 Lbs  
**Time Rating:** CONT  
**Enclosure:** TEFC  
**Encl Construction:** 841  
**Ambient Max(°C):** 40  
**Alt Ambient Max(°C):** --  
**Insulation Class:** H  
**NEMA Design:** B  
**Nominal Efficiency:** 93.0 %  
**Guaranteed Efficiency:** 92.4 %  
**3/4 Load Efficiency:** --  
**KVA Code:** G  
**Max KVAR:** 31.7  
**Power Factor:** 71.5  
**Bearing - DE:** 6316ZC3  
**Bearing - ODE:** 6316ZC3

**Enclosure is Totally Enclosed Fan-Cooled**

---

Stamped Nameplate Notes:

IEEE-STD-841-2009  
 DE BRG 80BC03JP3, ODE BRG 80BC03JP3  
 STAMP NP249A5564P051 AS BELOW:  
 MODEL:5KS405SAA404D7 S/N: XXX  
 CSA CERTIFIED CSA09.2216219 FOR EX NA IIC 200 C GC  
 CL 1 ZONE2 AEX NA IIC 200C;CL 1 DIV2 GRP ABCD 200C  
 IN -40C <= AMB <= 40C, 1.0 SF ON SINE-WAVE PWR  
 SURF TEMP 260C AT 1.15SF ON SINE-WAVE PWR  
 OR 200C VT OR 230C CT OR 200C CHP PWM CONTROL  
 ALTERNATE RATING FOR PWM CONTROL 1.0SF 40C AMB  
 VT 0-60 HZ, CT 20-60 HZ, CHP 60-90 HZ.



**Additional Information:**

8P - T EXTN  
PAINTED FRAME ID & SHAFT,  
FAN COVER INSIDE & ODE E/S OUTSIDE  
C/BOX 700 CU IN - 3.00" NPT  
OIL RESISTANT SLEEVING ON LEADS  
.0015" TIR SHAFT RUNOUT  
ROUTINE TEST REPORT AND 5 POINT VIBRATION TEST  
REPORT INCLUDED IN C/B  
GROUND PAD  
F1 MOUNTING



**Performance Characteristics**

1st Winding 1st Connection

**Design: 40BD4024B**

**Marks:**

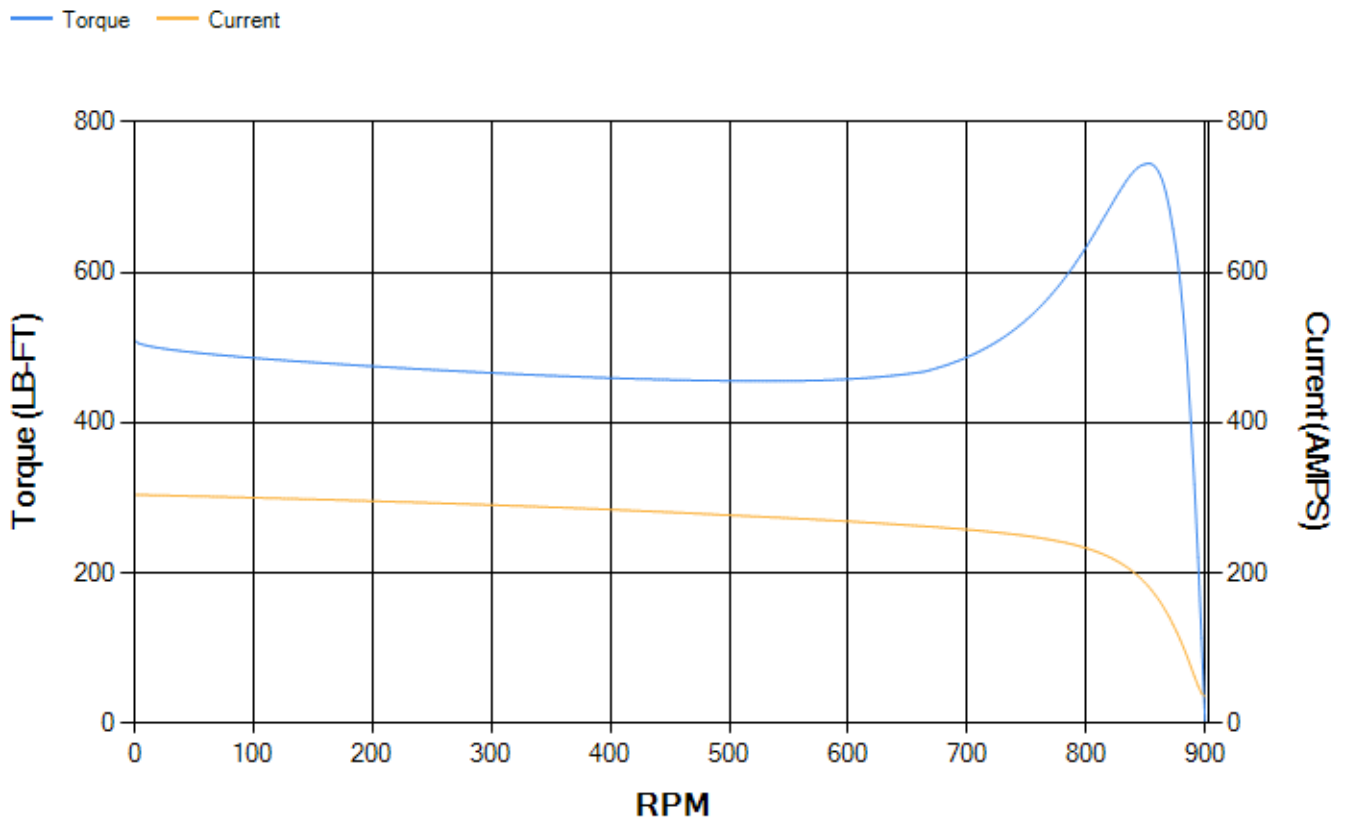
LOAD %	125.0	115.0	100.0	75.0	50.0	25.0	0.0
% EFF	92.48	92.86	93.51	93.69	93.25	90.03	0.00
% PF	74.58	73.7	71.6	65.22	53.22	32.54	2.79
AMPS	81.42	75.49	67.06	55.14	45.26	38.34	35.32

<b>TORQ(FL)#FT</b>	354.5	<b>TORQ(LR)%FL</b>	143.76	<b>TORQ(BD)%FL</b>	209.67
<b>AMPS(LR)</b>	304.05	<b>PF AT START</b>	0.36		

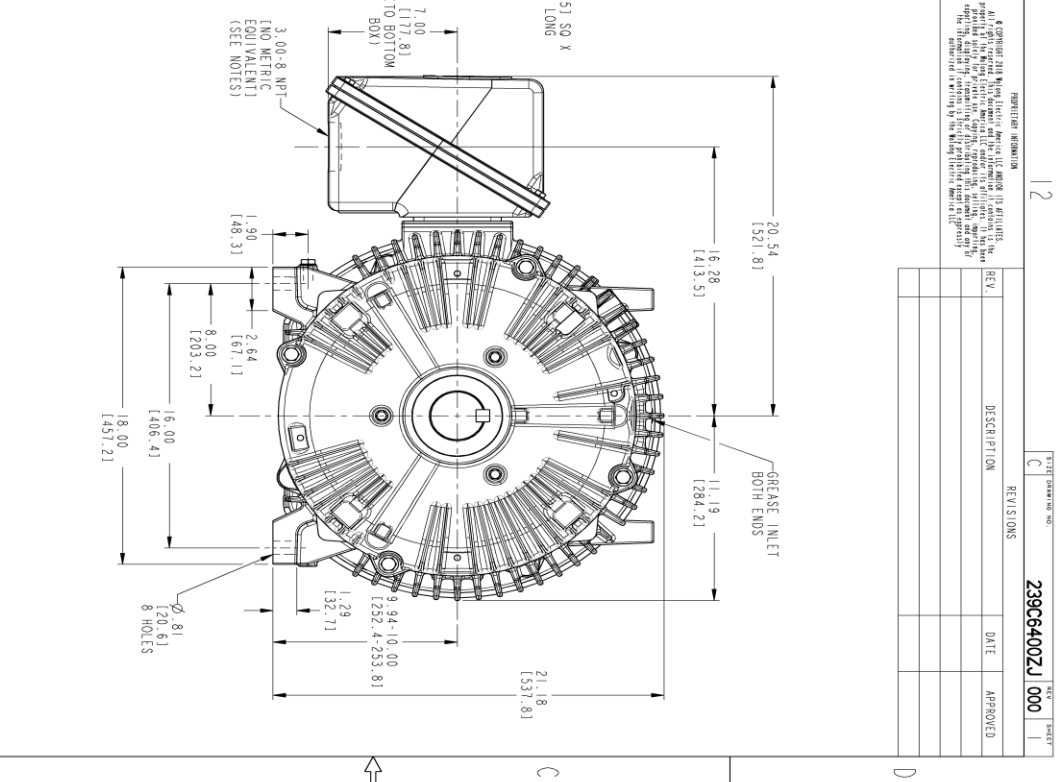
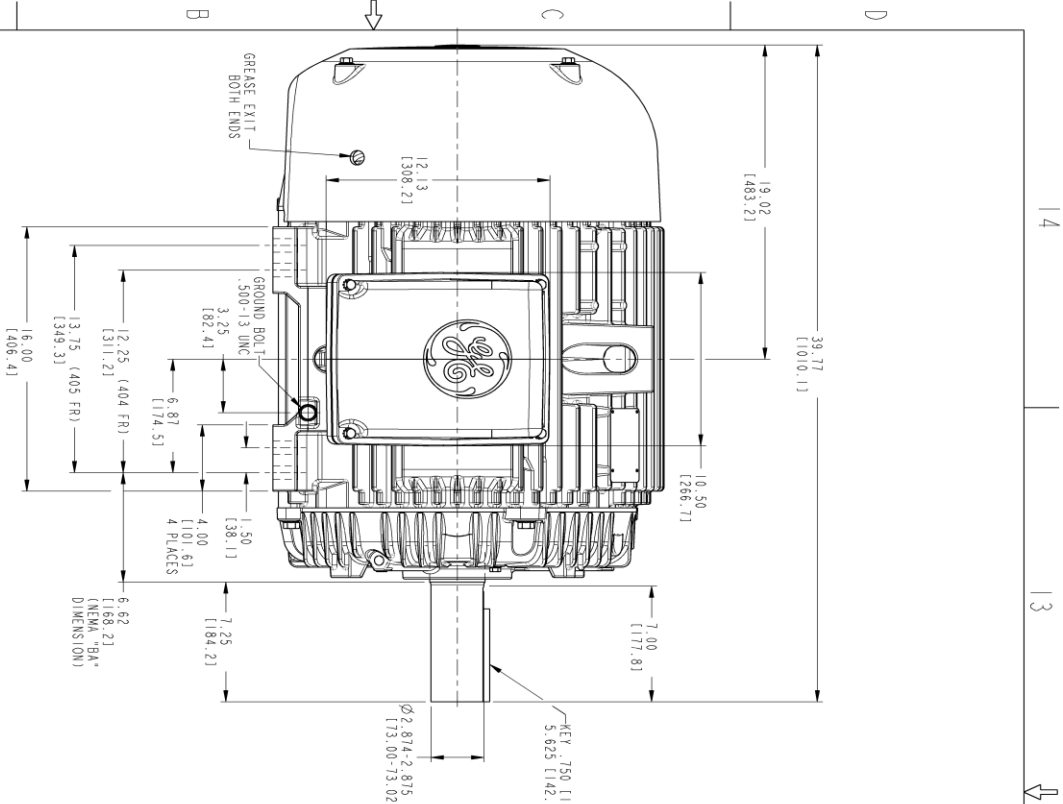
This motor is capable of two cold or one hot start with a maximum connected load inertia of 5380 Lb-Ft Sq (226.5 Kg-meter Sq)at 100% voltage, where the load torque varies with the square of the speed. Acceleration time with maximum inertia and the above load type is 41 seconds. Safe stall time at 100% voltage is 124 seconds cold, 64 seconds hot. Rotor inertia is 31.82 Lb-Ft Sq (1.34 Kg-meter Sq).

<b>Open Circuit A-C:</b>	0.362	<b>Short Circuit D-C:</b>	0.021
<b>Short Circuit A-C:</b>	0.038	<b>X/R Ratio:</b>	7.853
<b>Stator Slots:</b>	72	<b>Rotor Slots:</b>	58

**Speed Torque Current Curve (First Connection, First Speed)**



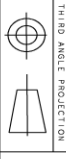
Marks:



RESTRICTION INFORMATION  
 All GE products are designed and manufactured in accordance with the applicable standards of the International Electrotechnical Commission (IEC) and the American National Standards Institute (ANSI). GE products are not to be used in applications where the use of such products is prohibited by applicable laws, regulations, codes, standards, or other requirements. The user is responsible for ensuring that the product is used in accordance with the applicable requirements.

REV.	DESCRIPTION	DATE	APPROVED

- NOTES:
1. CONDUIT BOX MAY BE PLACED WITH THE ENTRANCE DOWN, UP OR ON EITHER SIDE.
  2. F-1 ASSEMBLY AS SHOWN.
  3. ALL DIMENSIONS ARE IN INCHES. BRACKETED DIMENSIONS ARE METRIC (MILLIMETERS).



SIGNATURES	DATE	GE INDUSTRIAL MOTORS A WOLSKEL COMPANY
MODEL: PRASMANA 04401/21	04/01/21	<b>OUTLINE</b> 404/405 T TEFC XSD 700 CU IN CONDUIT BOX, GROUND PAD
REVIEW: PRASMANA 04401/21	04/01/21	
CHECKED: BISHU 04401/21	04/01/21	
DRAWN: PRASMANA 04401/21	04/01/21	
DATE: 04/01/21	04/01/21	TITLE: 700 CU IN CONDUIT BOX, GROUND PAD SIZE: DRAWING QUALITY: C SCALE: 0.250 REF. NO.: 239C6400ZJ SHEET 1 OF 1

239C6400ZJ 000

**Marks:**

**Connection Diagram**  
**GEM2034E-FIG1**



End shield Assembly		
Part Description	DE Side Part#	ODE Side Part#
End Shield	115E4304AA1	115E4304LL1
Bearing	235A2518AC01	235A2518AC01
Slinger/Inproseal	149C4399G06	149C4399G06

Fan & Fan Cover Assembly	
Part Description	Part#
Fan	159C7100G02
Fan Cover	128D6832AA1

Conduit & Accessories Box Assembly	
Part Description	Part#
Conduit Box	118D4408AD2

Mechanical Accessories	
Part Description	Part#
Brake	
Tachometer	

