



GE INDUSTRIAL MOTORS
a **WOLONG** company

Product Technical Information

June 25, 2020

Data shown is for the current revision model #. Ensure your nameplate model # matches.

Model Number:	5KS364XAA304D5
Catalog Number:	M9585
Instruction Manual:	GEI-56128
Connection Diagram:	GEM2034E-FIG7
Outline Drawing:	239C6200RC

Accessory Connection Diagrams

Bearing Thermocouple:	None	Heater:	None
RTD:	None	Thermistor:	None
Thermostat:	None	Winding Thermocouple:	None
Bearing RTD:	None		

Table of Contents

Specification	01
Performance Characteristics	02
Outline Drawing	03
Connection Drawing(s)	04
Spare parts	05

Marks:

MODEL NUMBER:	5KS364XAA304D5	Estimated Weight:	980 Lbs
Outline Drawing:	239C6200RC	Time Rating:	CONT
Connection Diagram:	GEM2034E-FIG7	Enclosure:	TEFC
Instruction Book:	GEI-56128	Encl Construction:	841
Design Code:	36BD3089B	Ambient Max(°C):	40
Type:	KS	Alt Ambient Max(°C):	--
Frame:	364T	Insulation Class:	H
Phases:	3	NEMA Design:	B
Poles:	6	Nominal Efficiency:	94.1 %
Output Power:	40HP 29.6KW	Guaranteed Efficiency:	93.6 %
RPM:	1185	3/4 Load Efficiency:	94.3 %
Voltage:	575	KVA Code:	G
Hertz:	60	Max KVAR:	16.3
Amps - FL:	39.5	Power Factor:	80.5
Service Factor:	1.15	Bearing - DE:	6314ZC3
Alt Service Factor:	--	Bearing - ODE:	6314ZC3

Enclosure is Totally Enclosed Fan-Cooled

Stamped Nameplate Notes:

IEEE-STD-841-2009

DE BRG 70BC03JP30, ODE BRG 70BC03JP30

STAMP NP249A5564P051 AS BELOW:

MODEL:5KS364XAA304D5 S/N: XXX

CSA CERTIFIED CSA09.2216219 FOR EX NA IIC 200 C GC

CL 1 ZONE2 AEX NA IIC 200C;CL 1 DIV2 GRP ABCD 200C

IN -25C <= AMB <= 40C, 1.0 SF ON SINE-WAVE PWR

SURF TEMP 200C AT 1.15SF ON SINE-WAVE PWR

OR 200C VT OR 215C CT OR 200C CHP PWM CONTROL

ALTERNATE RATING FOR PWM CONTROL 1.0SF 40C AMB

VT 0-60 HZ, CT 3-60 HZ, CHP 60-90 HZ.



Additional Information:

6P - T EXTN
PAINTED FRAME ID & SHAFT,
FAN COVER INSIDE & ODE E/S OUTSIDE
346 CU IN - 3.00" NPT
INPRO SEAL BOTH ENDS
OIL RESISTANT SLEEVING ON LEADS
.0015" TIR SHAFT RUNOUT
ROUTINE TEST REPORT AND 5 POINT VIBRATION TEST
REPORT INCLUDED IN C/B
COPPER WASHER UNDER HEADS OF BEARING CAP BOLTS,
APPLY TITE-SEAL (A50CD427A) ON BEARING CAP SCREWS,
RABBETS AND PLUG THREADS.
GROUND PAD
F1 MOUNTING



Performance Characteristics

1st Winding 1st Connection

Design: 36BD3089B

Marks:

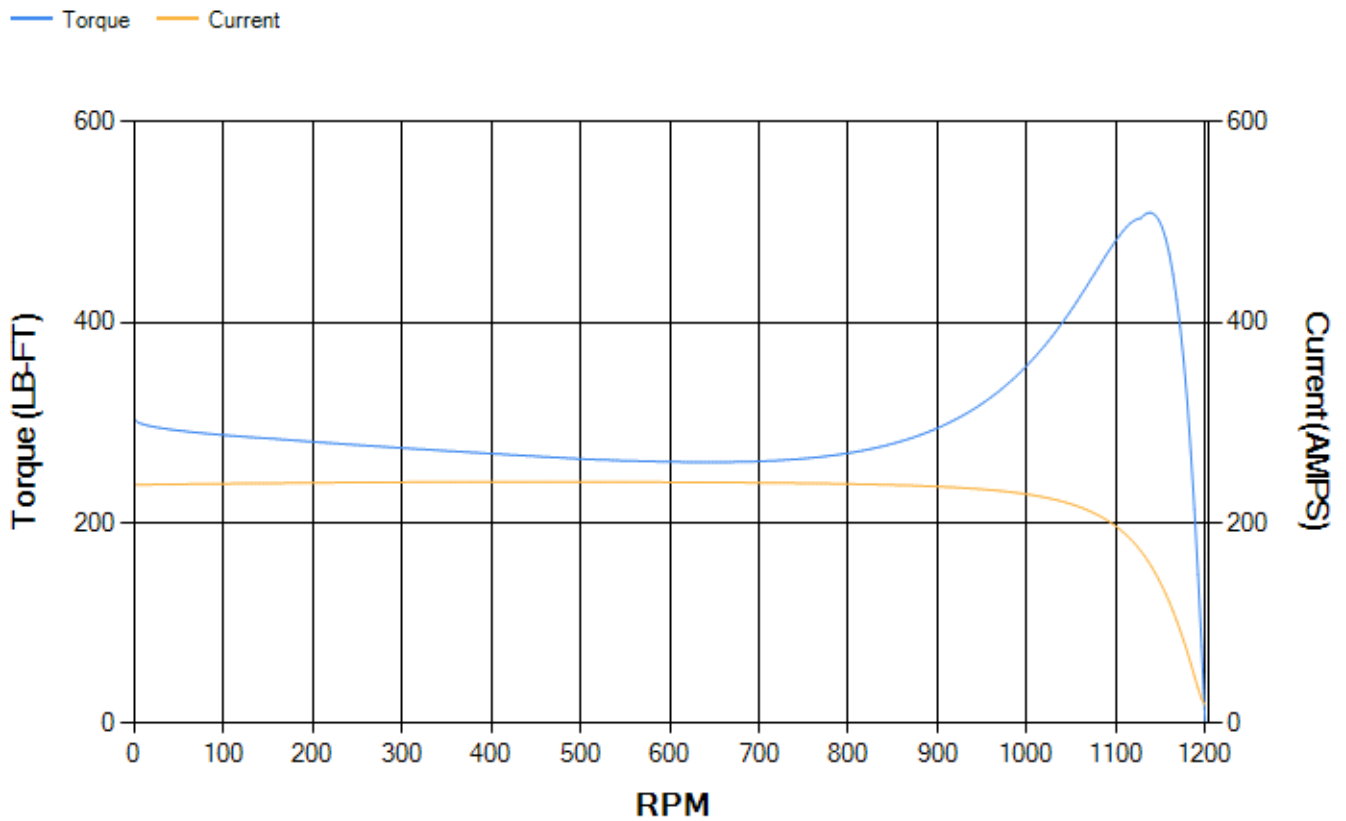
LOAD %	125.0	115.0	100.0	75.0	50.0	25.0	0.0
% EFF	93.45	93.71	94.22	94.26	93.78	90.7	0.00
% PF	83.26	82.32	80.31	74.44	62.82	40.22	3.41
AMPS	48.12	44.65	39.5	32.01	25.42	20.52	18.22

TORQ(FL)#FT	176.89	TORQ(LR)%FL	171.6	TORQ(BD)%FL	284.46
AMPS(LR)	237.96	PF AT START	0.38		

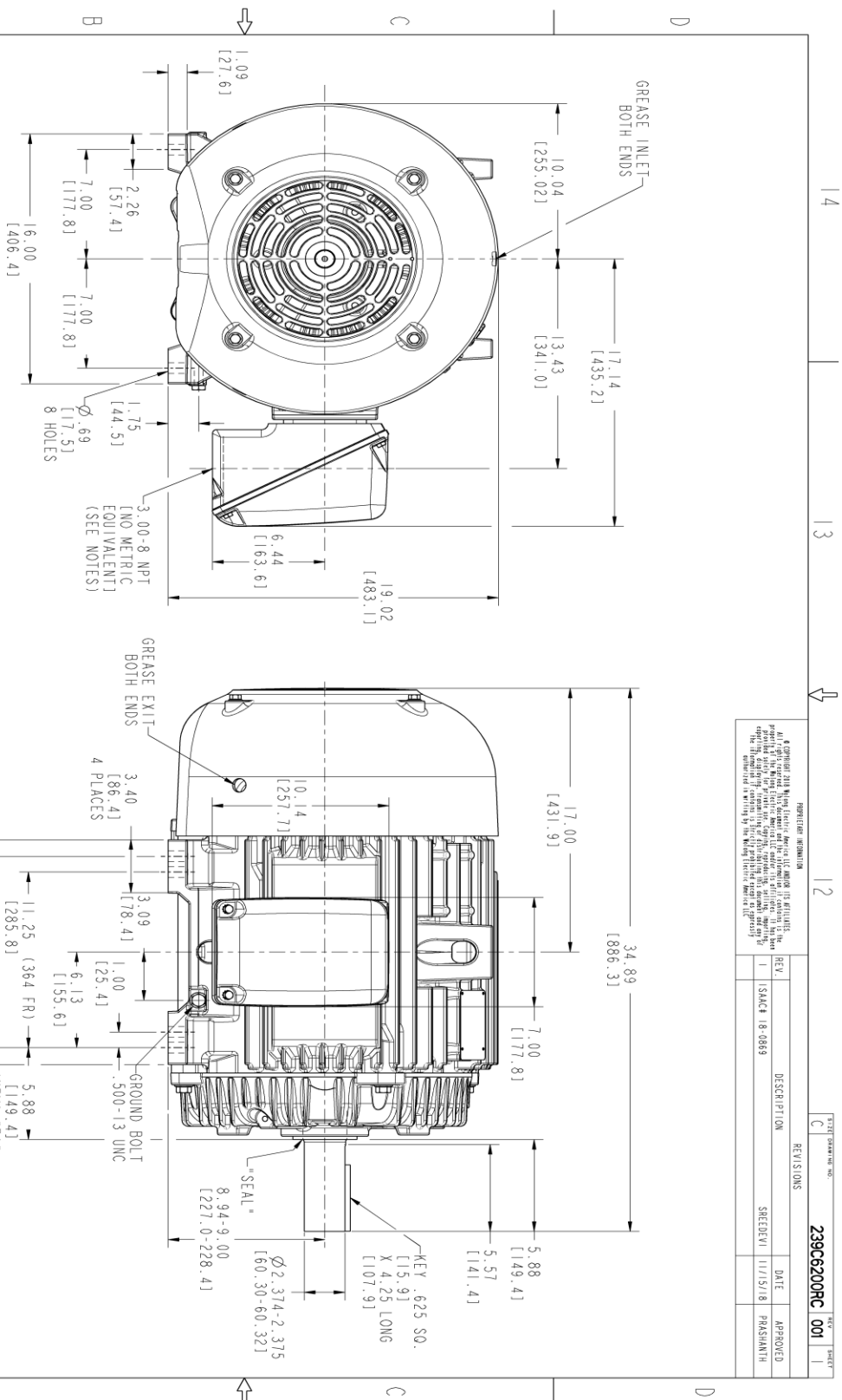
This motor is capable of two cold or one hot start with a maximum connected load inertia of 3437 Lb-Ft Sq (144.7 Kg-meter Sq) at 100% voltage, where the load torque varies with the square of the speed. Acceleration time with maximum inertia and the above load type is 55 seconds. Safe stall time at 100% voltage is 108 seconds cold, 67 seconds hot. Rotor inertia is 18.57 Lb-Ft Sq (0.78 Kg-meter Sq).

Open Circuit A-C:	0.497	Short Circuit D-C:	0.016
Short Circuit A-C:	0.029	X/R Ratio:	5.926
Stator Slots:	72	Rotor Slots:	58

Speed Torque Current Curve (First Connection, First Speed)



Marks:



- NOTES :
1. CONDUIT BOX MAY BE PLACED WITH THE ENTRANCE DOWN, UP OR ON EITHER SIDE.
 2. F-1 ASM AS SHOWN.
 3. F-2 ASM HAS CONDUIT BOX ON OPPOSITE SIDE.
 4. BRACKETED DIMENSIONS ARE METRIC (MILLIMETERS).
 5. TOLERANCE ON PERMISSIBLE SHAFT EXTENSION RUNOUT IS .0015 T.I.R.

REVISION INFORMATION

REV.	DESCRIPTION	DATE	APPROVED
1	ISACH 18-0869	11/15/18	PRASHANTH

239C6200RC 001

SIGNATURES		DATE	
MODEL	TEJANI	06/19/15	
REVISE	TEJANI	06/19/15	
CHECKED	VENKAT	06/19/15	
DWGNG	VENKAT	06/19/15	
WFS			
QUALITY	TEJANI	06/19/15	
ISSUED			

GE INDUSTRIAL MOTORS
A WOLONG company

OUTLINE

364/365 T TEFC XSD 841

346 CU IN CONDUIT BOX

239C6200RC

SCALE: 0.240 REF. NO: 239C620046

SHEET 1 OF 1

Marks:

Connection Diagram
GEM2034E-FIG7



End shield Assembly		
Part Description	DE Side Part#	ODE Side Part#
End Shield	115E4250AA1	115E4250LK1
Bearing	235A2516AC01	235A2516AC01
Slinger/Inproseal	235A4575GS3	235A4575GS3

Fan & Fan Cover Assembly	
Part Description	Part#
Fan	159C7100G01
Fan Cover	128D6810AA1

Conduit & Accessories Box Assembly	
Part Description	Part#
Conduit Box	149C4429AA2

Mechanical Accessories	
Part Description	Part#
Brake	
Tachometer	

