



GE INDUSTRIAL MOTORS
a **WOLONG** company

Product Technical Information

April 8, 2021

Data shown is for the current revision model #. Ensure your nameplate model # matches.

Model Number:	5KS213SAA304D2
Catalog Number:	M9712
Instruction Manual:	GEI-56128
Connection Diagram:	GEM2034E-FIG1
Outline Drawing:	4002B5821PAP5616

Accessory Connection Diagrams

Bearing Thermocouple:	None	Heater:	None
RTD:	None	Thermistor:	None
Thermostat:	None	Winding Thermocouple:	None
Bearing RTD:	None		

Table of Contents

Specification	01
Performance Characteristics	02
Outline Drawing	03
Connection Drawing(s)	04
Spare parts	05

Marks:

MODEL NUMBER: 5KS213SAA304D2
Outline Drawing: 4002B5821PAP5616
Connection Diagram: GEM2034E-FIG1
Instruction Book: GEI-56128
Design Code: 21BD3003B
Type: KS
Frame: 213T
Phases: 3
Poles: 6
Output Power: 3HP 2.2KW
RPM: 1175
Voltage: 575
Hertz: 60
Amps - FL: 3.4
Service Factor: 1.15
Alt Service Factor: --

Estimated Weight: 200 Lbs
Time Rating: CONT
Enclosure: TEFC
Encl Construction: 841
Ambient Max(°C): 40
Alt Ambient Max(°C): --
Insulation Class: H
NEMA Design: B
Nominal Efficiency: 89.5 %
Guaranteed Efficiency: 88.5 %
3/4 Load Efficiency: --
KVA Code: K
Max KVAR: 1.6
Power Factor: 73.0
Bearing - DE: 6208ZC3
Bearing - ODE: 6208ZC3

Enclosure is Totally Enclosed Fan-Cooled

Stamped Nameplate Notes:

IEEE-STD-841-2009
 DE BRG 40BC02JP30 ODE BRG 40BC02JP30
 STAMP NP249A5564P051 AS BELOW:
 MODEL:5KS213SAA304D2 S/N: XXX
 CSA CERTIFIED CSA09.2216219 FOR EX NA IIC 200C GC
 CL 1 ZONE2 AEX NA IIC 200C;CL 1 DIV2 GRP ABCD 200C
 IN -40C <= AMB <= 40C, 1.0 SF ON SINE-WAVE PWR
 SURF TEMP 200C AT 1.15SF ON SINE-WAVE PWR
 OR 200C VT OR 200C CT OR 200C CHP PWM CONTROL
 ALTERNATE RATING FOR PWM CONTROL 1.0SF 40C AMB
 VT 0 - 60 HZ, CT 3 - 60 HZ, CHP 60 - 90 HZ.



Additional Information:

6P - T EXTN
STANDARD FLOOR MOUNT
C/BOX 55 CU IN-1.00 NPT
F1 CONDUIT BOX MOUNTING
PAINTED FRAME ID & SHAFT,
FAN COVER INSIDE & ODE E/S OUTSIDE
ROUTINE AND 5 POINT VIBRATION TESTS INCL IN C/BOX
GROUND SCREW ON FRAME
SHAFT RUNOUT LIMIT .001" TIR
OIL RESISTANT SLEEVING ON LEADS



Performance Characteristics

1st Winding 1st Connection

Design: 21BD3003B

Marks:

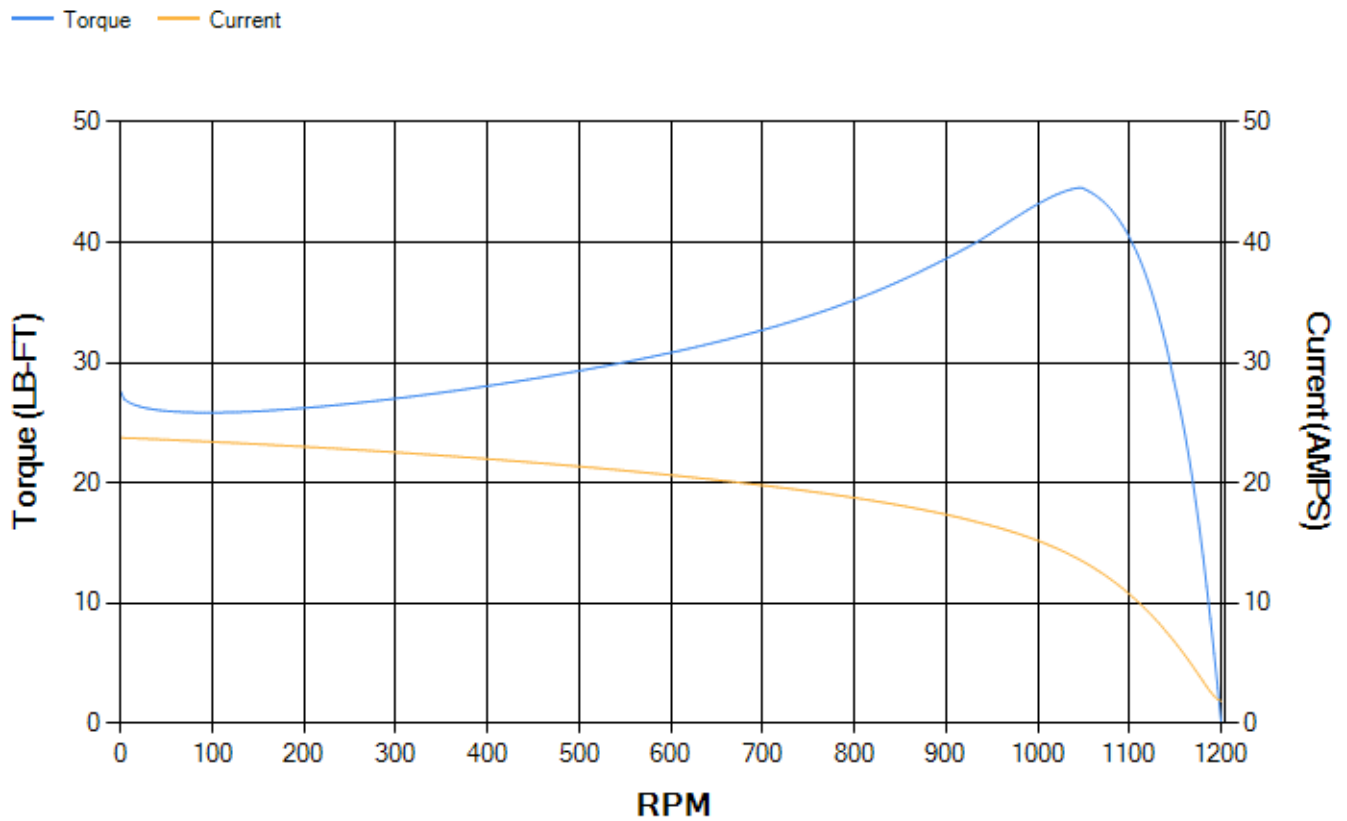
LOAD %	125.0	115.0	100.0	75.0	50.0	25.0	0.0
% EFF	88.4	88.84	89.52	89.53	88.32	82.44	0.00
% PF	77.05	75.8	73.21	66.21	54	33.94	5.69
AMPS	4.12	3.84	3.43	2.84	2.36	2.01	1.84

TORQ(FL)#FT	13.38	TORQ(LR)%FL	206.35	TORQ(BD)%FL	330.12
AMPS(LR)	23.75	PF AT START	0.47		

This motor is capable of two cold or one hot start with a maximum connected load inertia of 392 Lb-Ft Sq (16.5 Kg-meter Sq)at 100% voltage, where the load torque varies with the square of the speed. Acceleration time with maximum inertia and the above load type is 55 seconds. Safe stall time at 100% voltage is 123 seconds cold, 98 seconds hot. Rotor inertia is 0.64 Lb-Ft Sq (0.03 Kg-meter Sq).

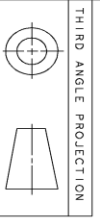
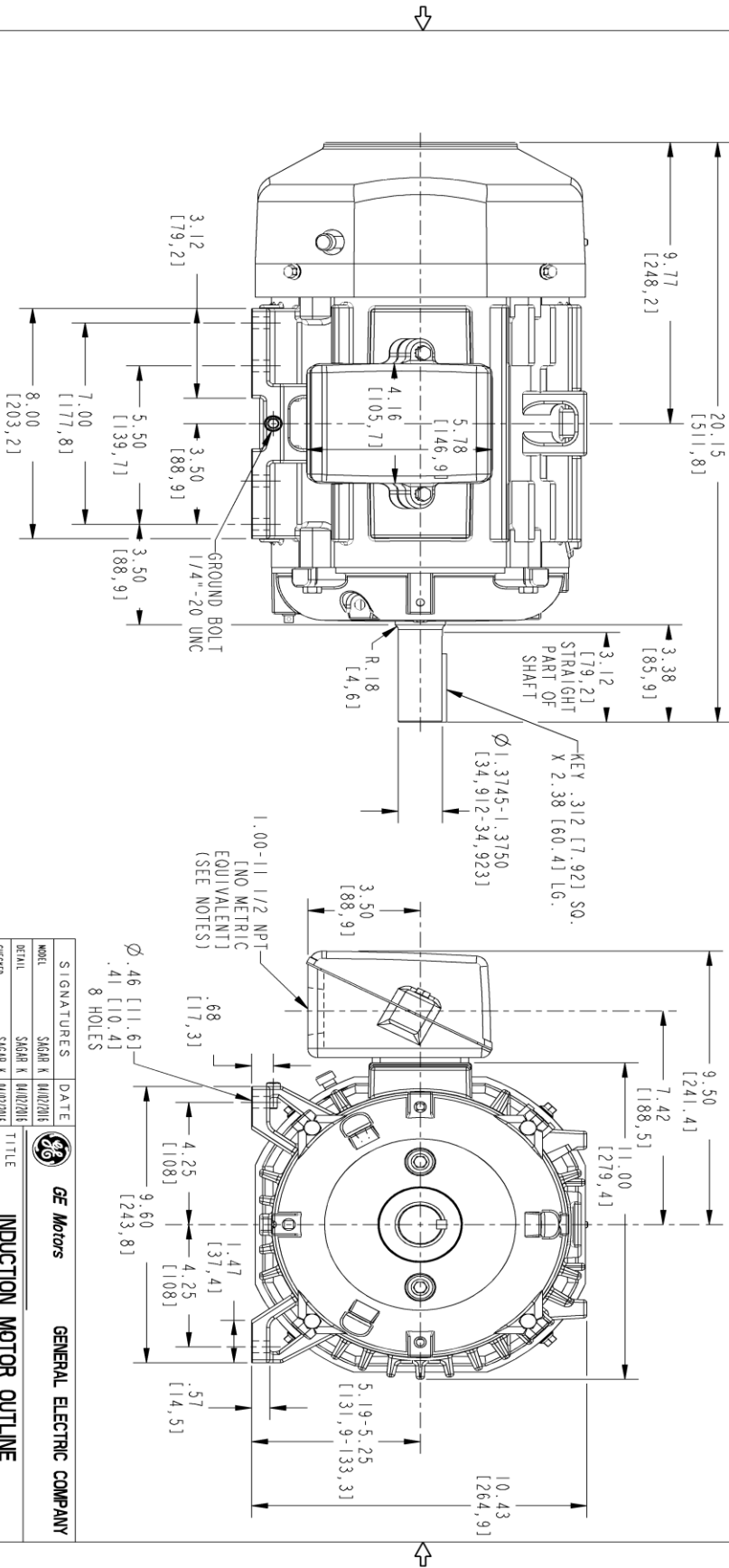
Open Circuit A-C:	0.237	Short Circuit D-C:	0.009
Short Circuit A-C:	0.015	X/R Ratio:	3.328
Stator Slots:	36	Rotor Slots:	44

Speed Torque Current Curve (First Connection, First Speed)



Marks:

NOTE 1: CONDUIT BOX MAY BE ASSEMBLED WITH ENTRANCE UP, DOWN OR TO EITHER SIDE.
 NOTE 2: F1 ASSEMBLY AS SHOWN. F2 ASSEMBLY CONDUIT BOX ON OPPOSITE SIDE FROM SHOWN LOCATION.
 NOTE 3: ALL DIMENSIONS ARE IN INCHES AND BRACKETED DIMENSIONS ARE IN METRIC (MILLIMETERS).



THIRD ANGLE PROJECTION

SIZE DRAWING NO. B

REV SHEET 0 1

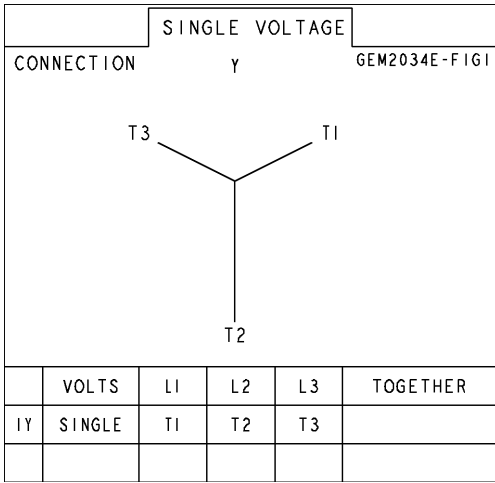
4002B5821PAP5616

REV.	DESCRIPTION	DATE	APPROVED

SIGNATURES	DATE	GE Motors	GENERAL ELECTRIC COMPANY
MOBL	SAGAR K. [4/10/2016]		
DETAIL	SAGAR K. [4/10/2016]		
DESIGN	SAGAR K. [4/10/2016]		
ENGR	-		
CHK	-		
QUALITY	-		
ISSUED	SAGAR K. [4/10/2016]		
SOLID MODEL	4002B5821PAP5616		
SCALE:	0.300	REF. No.:	4002B5821PAP5311
SIZE DRAWING	B	REV	0
TITLE		INDUCTION MOTOR OUTLINE	
STANDARD CONSTRUCTION WITH GROUND PAD		FR213/215 T TFC	
4002B5821PAP5616		REV 0	
SHEET 1		OF 1	

Marks:

Connection Diagram
GEM2034E-FIG1



End shield Assembly		
Part Description	DE Side Part#	ODE Side Part#
End Shield	4004D5282PB1	4004D5282SJ1
Bearing	235A2503AE01	235A2503AE01
Slinger/Inproseal	149C4399G01	149C4399G01

Fan & Fan Cover Assembly	
Part Description	Part#
Fan	159C6700G01
Fan Cover	4003C5787PA1

Conduit & Accessories Box Assembly	
Part Description	Part#
Conduit Box	4002B5721PA-G01

Mechanical Accessories	
Part Description	Part#
Brake	
Tachometer	

