



**GE INDUSTRIAL MOTORS**  
a **WOLONG** company

# Product Technical Information

April 7, 2021

Data shown is for the current revision model #. Ensure your nameplate model # matches.

<b>Model Number:</b>	<b>5KS256SAA408D2</b>
<b>Catalog Number:</b>	<b>M9724</b>
<b>Instruction Manual:</b>	GEI-56128
<b>Connection Diagram:</b>	GEM2034E-FIG7
<b>Outline Drawing:</b>	4002B5825PAP5992

## Accessory Connection Diagrams

<b>Bearing Thermocouple:</b>	None	<b>Heater:</b>	None
<b>RTD:</b>	None	<b>Thermistor:</b>	None
<b>Thermostat:</b>	None	<b>Winding Thermocouple:</b>	None
<b>Bearing RTD:</b>	None		

## Table of Contents

Specification	01
Performance Characteristics	02
Outline Drawing	03
Connection Drawing(s)	04
Spare parts	05

Marks:

<b>MODEL NUMBER:</b>	<b>5KS256SAA408D2</b>	<b>Estimated Weight:</b>	350 Lbs
<b>Outline Drawing:</b>	4002B5825PAP5992	<b>Time Rating:</b>	CONT
<b>Connection Diagram:</b>	GEM2034E-FIG7	<b>Enclosure:</b>	TEFC
<b>Instruction Book:</b>	GEI-56128	<b>Encl Construction:</b>	841
<b>Design Code:</b>	25BD4020A	<b>Ambient Max(°C):</b>	40
<b>Type:</b>	KS	<b>Alt Ambient Max(°C):</b>	--
<b>Frame:</b>	256T	<b>Insulation Class:</b>	H
<b>Phases:</b>	3	<b>NEMA Design:</b>	B
<b>Poles:</b>	8	<b>Nominal Efficiency:</b>	87.5 %
<b>Output Power:</b>	7.5HP 5.6KW	<b>Guaranteed Efficiency:</b>	86.5 %
<b>RPM:</b>	875	<b>3/4 Load Efficiency:</b>	--
<b>Voltage:</b>	460	<b>KVA Code:</b>	H
<b>Hertz:</b>	60	<b>Max KVAR:</b>	4.3
<b>Amps - FL:</b>	11.1	<b>Power Factor:</b>	72.0
<b>Service Factor:</b>	1.15	<b>Bearing - DE:</b>	6309ZC3
<b>Alt Service Factor:</b>	--	<b>Bearing - ODE:</b>	6309ZC3

Enclosure is Totally Enclosed Fan-Cooled

---

Stamped Nameplate Notes:

IEEE-STD-841-2009

DE BRG 45BC03JP30 ODE BRG 45BC03JP30

STAMP NP249A5564P051 AS BELOW:

MODEL:5KS256SAA408D2 S/N: XXX

CSA CERTIFIED CSA09.2216219 FOR EX NA IIC 200C GC

CL 1 ZONE2 AEX NA IIC 200C;CL 1 DIV2 GRP ABCD 200C

IN -40C <= AMB <= 40C, 1.0 SF ON SINE-WAVE PWR

SURF TEMP 200C AT 1.15SF ON SINE-WAVE PWR

OR 200C VT OR 200C CT OR 200C CHP PWM CONTROL

ALTERNATE RATING FOR PWM CONTROL 1.0SF 40C AMB

VT 0 - 60 HZ, CT 3-60 HZ, CHP 60-90 HZ.



**Additional Information:**

8P - T EXTN  
STANDARD FLOOR MOUNT  
C/BOX 137 CU IN-1.25 NPT  
F1 CONDUIT BOX MOUNTING  
PAINTED FRAME ID & SHAFT,  
FAN COVER INSIDE & ODE E/S OUTSIDE  
ROUTINE AND 5 POINT VIBRATION TESTS INCL IN C/BOX  
GROUND SCREW ON FRAME  
SHAFT RUNOUT LIMIT .001" TIR  
OIL RESISTANT SLEEVING ON LEADS



**Performance Characteristics**

1st Winding 1st Connection

**Design: 25BD4020A**

**Marks:**

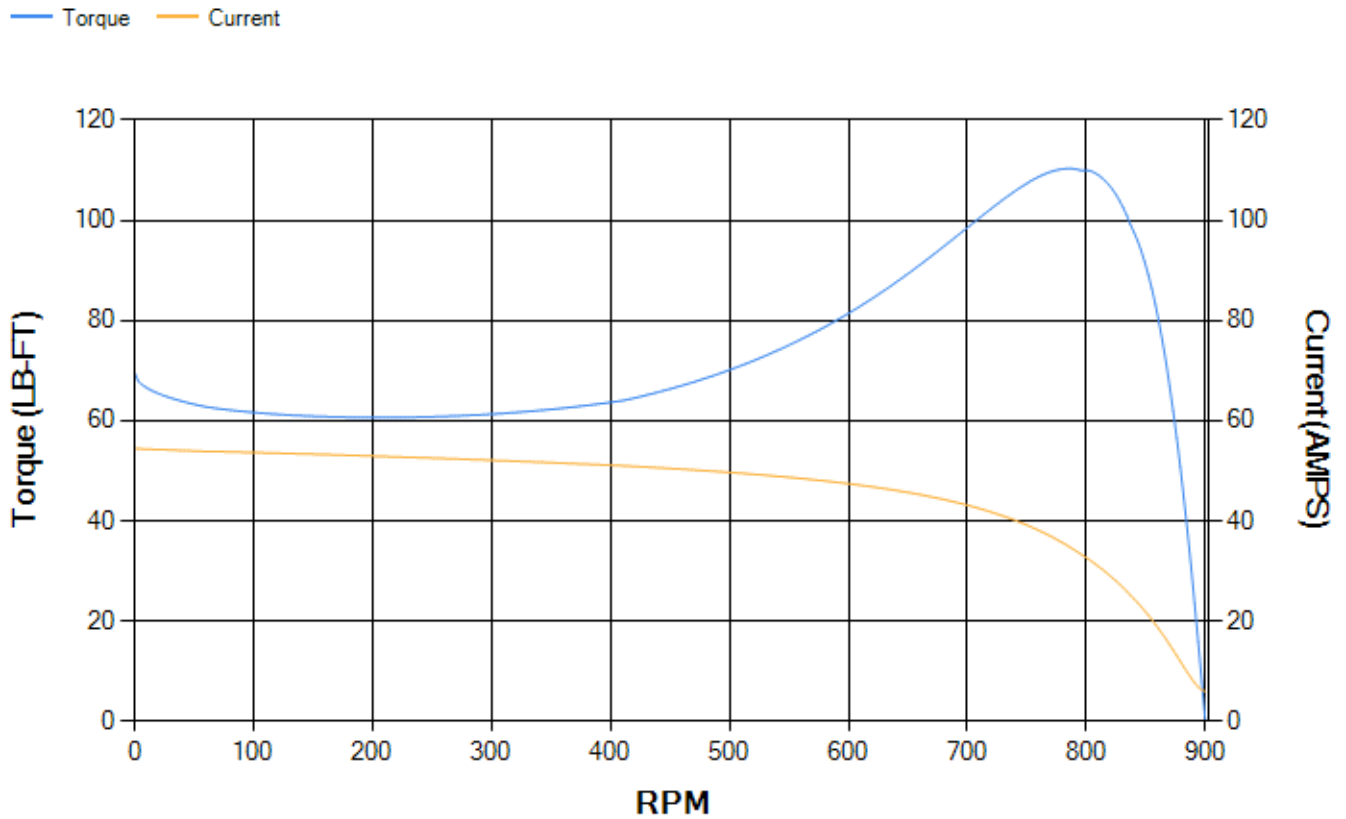
LOAD %	125.0	115.0	100.0	75.0	50.0	25.0	0.0
% EFF	86.83	87.55	88.63	89.25	88.7	83.83	0.00
% PF	75.45	74.32	71.83	64.85	52.55	32.51	4.62
AMPS	13.39	12.41	11.03	9.1	7.53	6.44	5.93

<b>TORQ(FL)#FT</b>	44.98	<b>TORQ(LR)%FL</b>	154.6	<b>TORQ(BD)%FL</b>	242.96
<b>AMPS(LR)</b>	54.41	<b>PF AT START</b>	0.34		

This motor is capable of two cold or one hot start with a maximum connected load inertia of 1233 Lb-Ft Sq (51.91 Kg-meter Sq)at 100% voltage, where the load torque varies with the square of the speed. Acceleration time with maximum inertia and the above load type is 59 seconds. Safe stall time at 100% voltage is 142 seconds cold, 86 seconds hot. Rotor inertia is 2.09 Lb-Ft Sq (0.09 Kg-meter Sq).

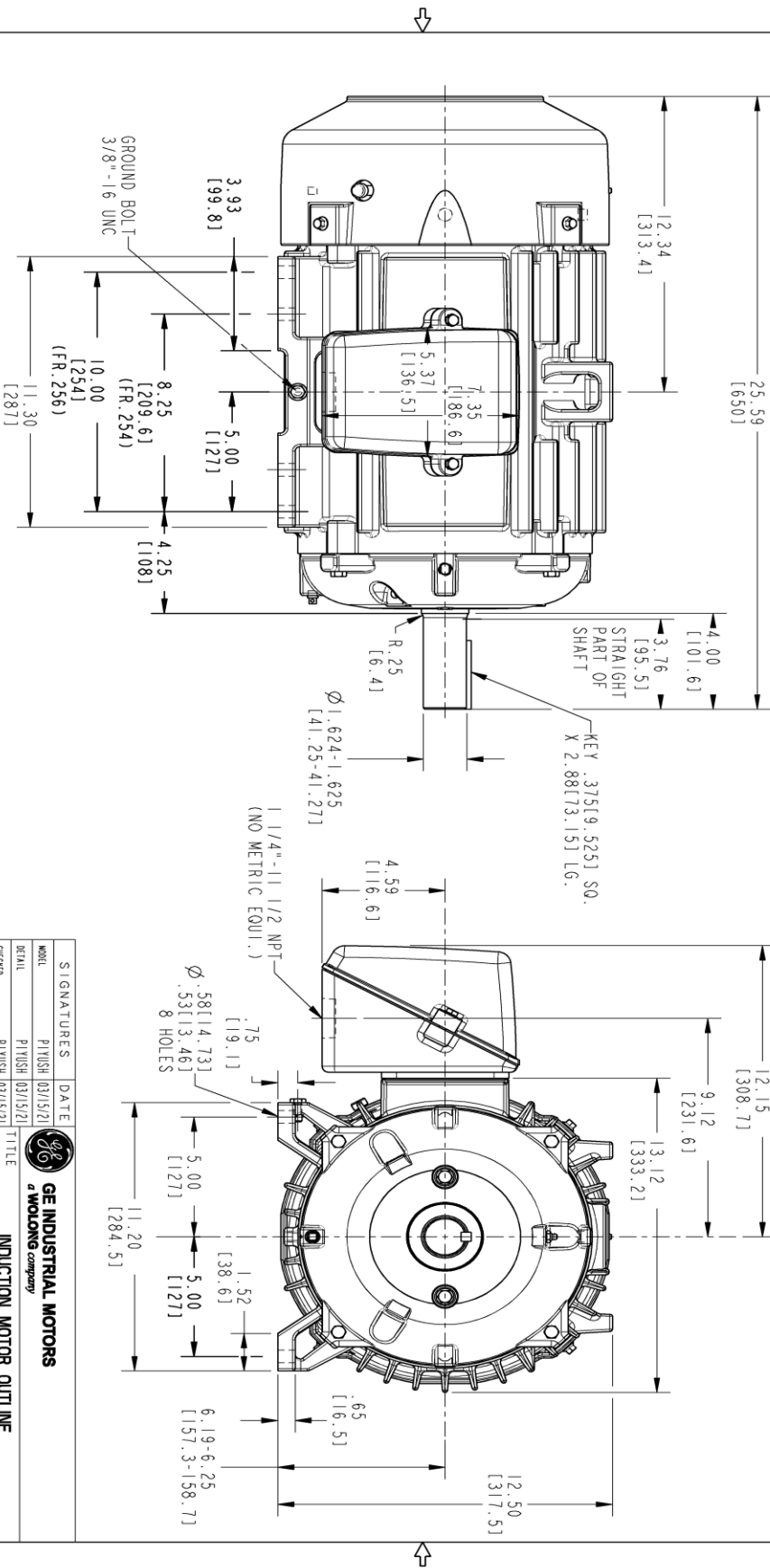
<b>Open Circuit A-C:</b>	0.166	<b>Short Circuit D-C:</b>	0.012
<b>Short Circuit A-C:</b>	0.017	<b>X/R Ratio:</b>	4.461
<b>Stator Slots:</b>	54	<b>Rotor Slots:</b>	70

**Speed Torque Current Curve (First Connection, First Speed)**



Marks:

NOTE 1 : CONDUIT BOX MAY BE ASSEMBLED WITH ENTRANCE UP, DOWN OR TO EITHER SIDE.  
 NOTE 2 : F1 ASSEMBLY AS SHOWN.  
 NOTE 3 : ALL DIMENSIONS ARE IN INCHES, BRACKETED DIMENSIONS ARE IN METRIC (MILLIMETERS)



PROPRIETARY INFORMATION  
 © COPYRIGHT 2018 Wolog Electric America LLC AND/OR ITS AFFILIATES.  
 All rights reserved. This document and the information it contains is the property of Wolog Electric America LLC and/or its affiliates. It has been provided solely for the use of the customer and is not to be distributed, copied, or otherwise transmitted in any form or by any means, electronic or mechanical, including photocopying, recording, or by any information storage and retrieval system, without the prior written permission of Wolog Electric America LLC. Any unauthorized use or disclosure is strictly prohibited except as expressly authorized in writing by Wolog Electric America LLC.

SIZE	DRAWING NO.	REV	SHEET
B	4002B5825PAP5992	000	1
REVISIONS			
REV.	DESCRIPTION	DATE	APPROVED

THIRD ANGLE PROJECTION



SIGNATURES		DATE
MODEL	PIVUSH	03/15/21
DETAIL	PIVUSH	03/15/21
ORDER	PIVUSH	03/15/21
ENGR		
WEG		
QUALITY	PIVUSH	03/15/21
ISSUED		
SOLID MODEL	4002B5825PAP5992	

SCALE: 0.250	REF. No.: 4002B5825PAP201
SHEET 1 OF 1	

**GE INDUSTRIAL MOTORS**  
 a Wolog company

**INDUCTION MOTOR OUTLINE**  
 STANDARD CONSTRUCTION, GROUND PAD  
 FMR, FR250T TFC

4002B5825PAP5992 000

**Marks:**

**Connection Diagram**  
**GEM2034E-FIG7**



End shield Assembly		
Part Description	DE Side Part#	ODE Side Part#
End Shield	4004D5283PB1	4004D5283SE1
Bearing	235A2507EB01	235A2507EB01
Slinger/Inproseal	149C4399G02	149C4399G02

Fan & Fan Cover Assembly	
Part Description	Part#
Fan	159C6800G01
Fan Cover	4003C5788PA1

Conduit & Accessories Box Assembly	
Part Description	Part#
Conduit Box	4002B5728PA-G04

Mechanical Accessories	
Part Description	Part#
Brake	
Tachometer	

