



GE INDUSTRIAL MOTORS
a **WOLONG** company

Product Technical Information

May 6, 2021

Data shown is for the current revision model #. Ensure your nameplate model # matches.

Model Number:	5KS213SAA104D2
Catalog Number:	M9728
Instruction Manual:	GEI-56128
Connection Diagram:	GEM2034E-FIG1
Outline Drawing:	4002B5821PAP5616

Accessory Connection Diagrams

Bearing Thermocouple:	None	Heater:	None
RTD:	None	Thermistor:	None
Thermostat:	None	Winding Thermocouple:	None
Bearing RTD:	None		

Table of Contents

Specification	01
Performance Characteristics	02
Outline Drawing	03
Connection Drawing(s)	04
Spare parts	05

Marks:

MODEL NUMBER: 5KS213SAA104D2
Outline Drawing: 4002B5821PAP5616
Connection Diagram: GEM2034E-FIG1
Instruction Book: GEI-56128
Design Code: 21BD0225B
Type: KS
Frame: 213T
Phases: 3
Poles: 2
Output Power: 7.5HP 5.6KW
RPM: 3530
Voltage: 575
Hertz: 60
Amps - FL: 7.3
Service Factor: 1.15
Alt Service Factor: --

Estimated Weight: 200 Lbs
Time Rating: CONT
Enclosure: TEFC
Encl Construction: 841
Ambient Max(°C): 40
Alt Ambient Max(°C): --
Insulation Class: H
NEMA Design: B
Nominal Efficiency: 89.5 %
Guaranteed Efficiency: 88.5 %
3/4 Load Efficiency: --
KVA Code: H
Max KVAR: 2.3
Power Factor: 86.5
Bearing - DE: 6208ZC3
Bearing - ODE: 6208ZC3

Enclosure is Totally Enclosed Fan-Cooled

Stamped Nameplate Notes:

IEEE-STD-841-2009
 DE BRG 40BC02JP30 ODE BRG 40BC02JP30
 STAMP NP249A5564P051 AS BELOW:
 MODEL:5KS213SAA104D2 S/N: XXX
 CSA CERTIFIED CSA09.2216219 FOR EX NA IIC 200C GC
 CL 1 ZONE2 AEX NA IIC 200C;CL 1 DIV2 GRP ABCD 200C
 IN -40C <= AMB <= 40C, 1.0 SF ON SINE-WAVE PWR
 SURF TEMP 215C AT 1.15SF ON SINE-WAVE PWR
 OR 200C VT OR 200C CT OR 200C CHP PWM CONTROL
 ALTERNATE RATING FOR PWM CONTROL 1.0SF 40C AMB
 VT 0-60 HZ, CT 3-60 HZ, CHP 60-90 HZ.



Additional Information:

2P - T EXTN
STANDARD FLOOR MOUNT
C/BOX 55 CU IN-1.00 NPT
F1 CONDUIT BOX MOUNTING
PAINTED FRAME ID & SHAFT,
FAN COVER INSIDE & ODE E/S OUTSIDE
ROUTINE AND 5 POINT VIBRATION TESTS INCL IN C/BOX
GROUND SCREW ON FRAME
SHAFT RUNOUT LIMIT .001" TIR
OIL RESISTANT SLEEVING ON LEADS



Performance Characteristics

1st Winding 1st Connection

Design: 21BD0225B

Marks:

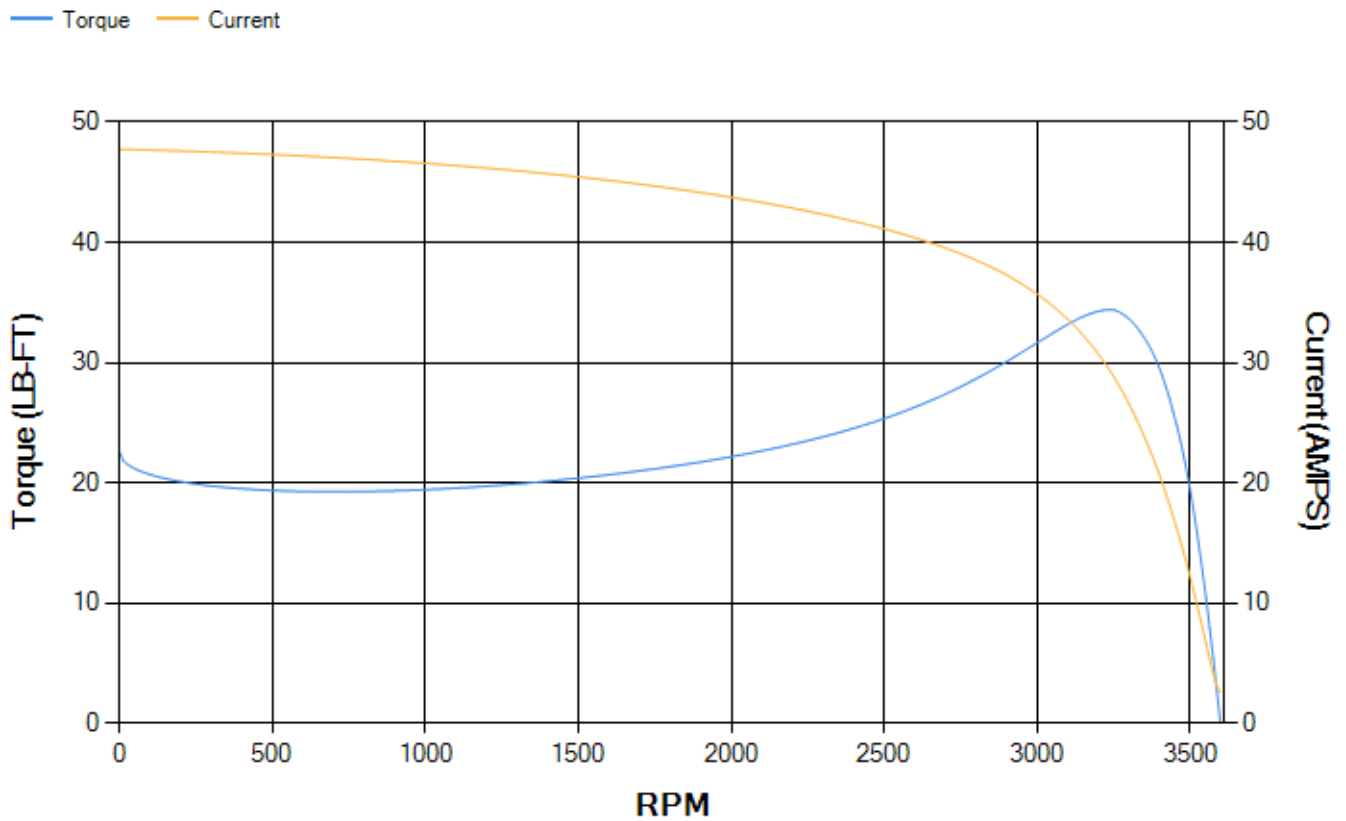
LOAD %	125.0	115.0	100.0	75.0	50.0	25.0	0.0
% EFF	88.78	89.24	89.99	90.18	89.28	84.13	0.00
% PF	88.05	87.67	86.64	83.02	74.46	53.54	8.93
AMPS	8.98	8.25	7.19	5.63	4.22	3.12	2.55

TORQ(FL)#FT	11.15	TORQ(LR)%FL	202.33	TORQ(BD)%FL	306.33
AMPS(LR)	47.75	PF AT START	0.36		

This motor is capable of two cold or one hot start with a maximum connected load inertia of 81 Lb-Ft Sq (3.41 Kg-meter Sq)at 100% voltage, where the load torque varies with the square of the speed. Acceleration time with maximum inertia and the above load type is 49 seconds. Safe stall time at 100% voltage is 83 seconds cold, 58 seconds hot. Rotor inertia is 0.31 Lb-Ft Sq (0.01 Kg-meter Sq).

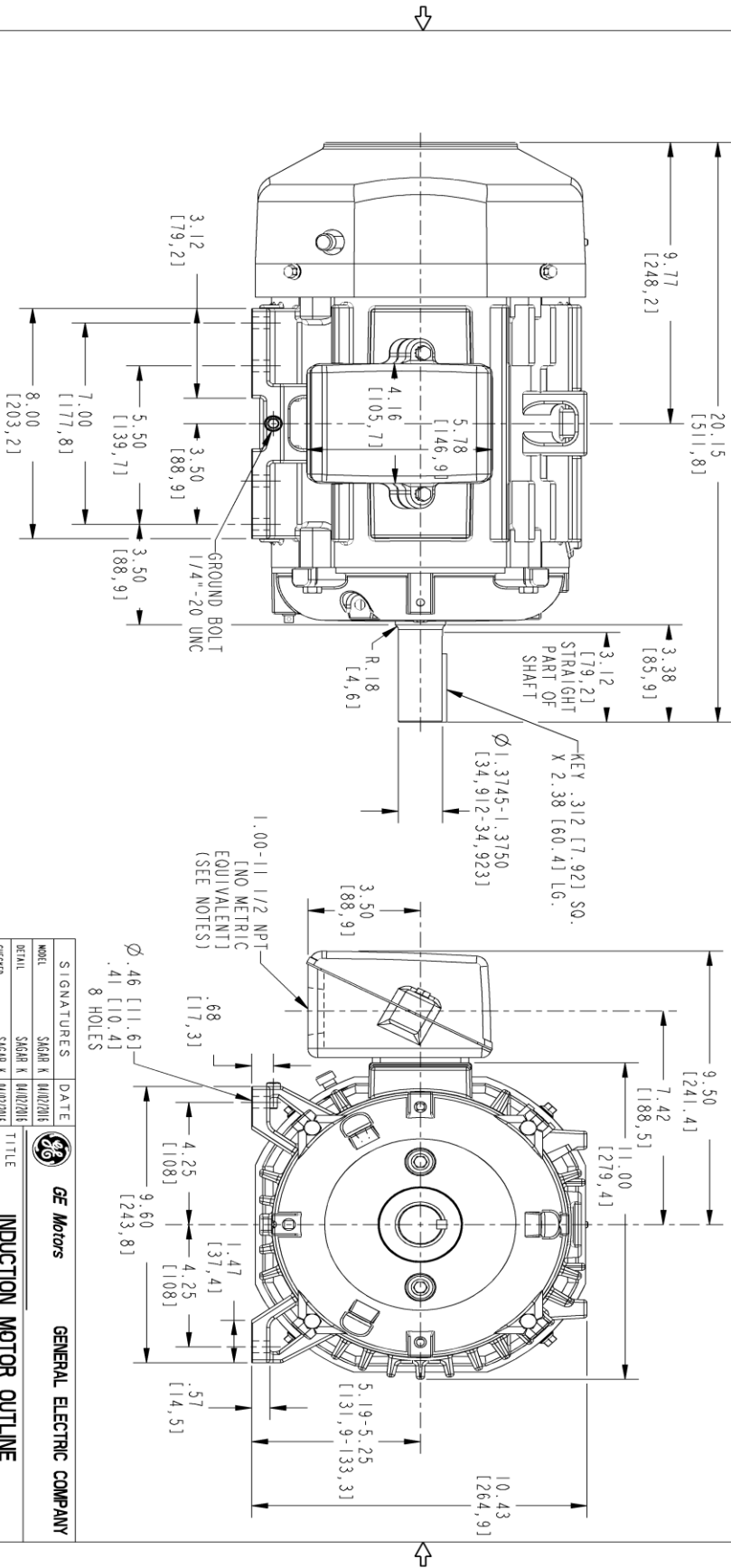
Open Circuit A-C:	0.392	Short Circuit D-C:	0.01
Short Circuit A-C:	0.018	X/R Ratio:	3.909
Stator Slots:	36	Rotor Slots:	26

Speed Torque Current Curve (First Connection, First Speed)



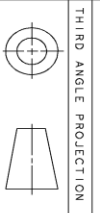
Marks:

NOTE 1: CONDUIT BOX MAY BE ASSEMBLED WITH ENTRANCE UP, DOWN OR TO EITHER SIDE.
 NOTE 2: F1 ASSEMBLY AS SHOWN. F2 ASSEMBLY CONDUIT BOX ON OPPOSITE SIDE FROM SHOWN LOCATION.
 NOTE 3: ALL DIMENSIONS ARE IN INCHES AND BRACKETED DIMENSIONS ARE IN METRIC (MILLIMETERS).



SIZE	DRAWING NO.	REV	SHEET
B	4002B5821PAP5616	0	1

REV.	DESCRIPTION	DATE	APPROVED



THIRD ANGLE PROJECTION

SIGNATURES		DATE	
DESIGN	SIGAR K [40022016]	DATE	[40022016]
DRAWN	SIGAR K [40022016]	DATE	[40022016]
CHECKED	SIGAR K [40022016]	DATE	[40022016]
ENG'G	-	DATE	-
WEC	-	DATE	-
QUALITY	-	DATE	-
ISSUED	SIGAR K [40022016]	DATE	[40022016]
SOLID MODEL	4002B5821PAP5616	DATE	[40022016]

GE Motors GENERAL ELECTRIC COMPANY
INDUCTION MOTOR OUTLINE
 STANDARD CONSTRUCTION WITH GROUND PAD
 FR213/215 T TEFC
4002B5821PAP5616

SCALE: 0.300 REF. No. 4002B5821PAP5311
 SHEET 1 OF 1

Marks:

Connection Diagram
GEM2034E-FIG1



End shield Assembly		
Part Description	DE Side Part#	ODE Side Part#
End Shield	4004D5282PB1	4004D5282SJ1
Bearing	235A2503AE01	235A2503AE01
Slinger/Inproseal	149C4399G01	149C4399G01

Fan & Fan Cover Assembly	
Part Description	Part#
Fan	159C6704G01
Fan Cover	4003C5787PA1

Conduit & Accessories Box Assembly	
Part Description	Part#
Conduit Box	4002B5721PA-G01

Mechanical Accessories	
Part Description	Part#
Brake	
Tachometer	

