



GE INDUSTRIAL MOTORS
a **WOLONG** company

Product Technical Information

April 12, 2021

Data shown is for the current revision model #. Ensure your nameplate model # matches.

Model Number:	5KS256SAA204D3
Catalog Number:	M9751
Instruction Manual:	GEI-56128
Connection Diagram:	GEM2034E-FIG1
Outline Drawing:	4002B5825PAP5992

Accessory Connection Diagrams

Bearing Thermocouple:	None	Heater:	None
RTD:	None	Thermistor:	None
Thermostat:	None	Winding Thermocouple:	None
Bearing RTD:	None		

Table of Contents

Specification	01
Performance Characteristics	02
Outline Drawing	03
Connection Drawing(s)	04
Spare parts	05

Marks:

MODEL NUMBER: 5KS256SAA204D3
Outline Drawing: 4002B5825PAP5992
Connection Diagram: GEM2034E-FIG1
Instruction Book: GEI-56128
Design Code: 25BD1379B
Type: KS
Frame: 256T
Phases: 3
Poles: 4
Output Power: 20HP 14.8KW
RPM: 1775
Voltage: 575
Hertz: 60
Amps - FL: 19.2
Service Factor: 1.15
Alt Service Factor: --

Estimated Weight: 350 Lbs
Time Rating: CONT
Enclosure: TEFC
Encl Construction: 841
Ambient Max(°C): 40
Alt Ambient Max(°C): --
Insulation Class: H
NEMA Design: B
Nominal Efficiency: 93.0 %
Guaranteed Efficiency: 92.4 %
3/4 Load Efficiency: --
KVA Code: G
Max KVAR: 6.6
Power Factor: 84.0
Bearing - DE: 6309ZC3
Bearing - ODE: 6309ZC3

Enclosure is Totally Enclosed Fan-Cooled

Stamped Nameplate Notes:

IEEE-STD-841-2009
 DE BRG 45BC03JP30 ODE BRG 45BC03JP30
 STAMP NP249A5564P051 AS BELOW:
 MODEL:5KS256SAA204D3 S/N: XXX
 CSA CERTIFIED CSA09.2216219 FOR EX NA IIC 200C GC
 CL 1 ZONE2 AEX NA IIC 200C;CL 1 DIV2 GRP ABCD 200C
 IN -40C <= AMB <= 40C, 1.0 SF ON SINE-WAVE PWR
 SURF TEMP 200C AT 1.15SF ON SINE-WAVE PWR
 OR 200C VT OR 215C CT OR 200C CHP PWM CONTROL
 ALTERNATE RATING FOR PWM CONTROL 1.0SF 40C AMB
 VT 0-60 HZ, CT 6-60 HZ, CHP 60-90 HZ.



Additional Information:

4P - T EXTN
STANDARD FLOOR MOUNT
C/BOX 137 CU IN-1.25 NPT
F1 CONDUIT BOX MOUNTING
PAINTED FRAME ID & SHAFT,
FAN COVER INSIDE & ODE E/S OUTSIDE
ROUTINE AND 5 POINT VIBRATION TESTS INCL IN C/BOX
GROUND SCREW ON FRAME
SHAFT RUNOUT LIMIT .001" TIR
OIL RESISTANT SLEEVING ON LEADS



Performance Characteristics

1st Winding 1st Connection

Design: 25BD1379B

Marks:

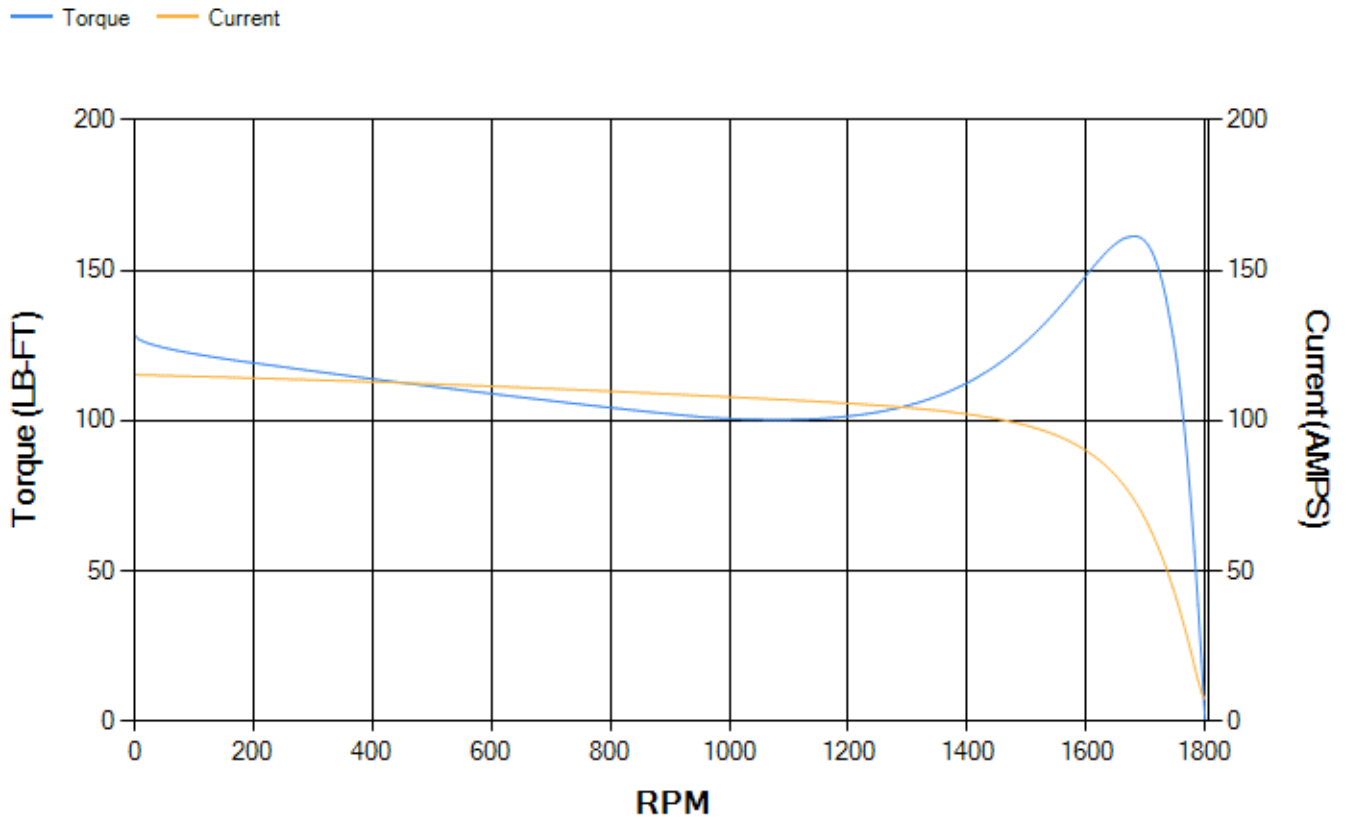
LOAD %	125.0	115.0	100.0	75.0	50.0	25.0	0.0
% EFF	92.63	92.99	93.64	93.9	93.63	90.82	0.00
% PF	85.87	85.37	84.12	79.87	70.19	47.85	4.33
AMPS	23.53	21.69	19.01	14.98	11.39	8.61	7.31

TORQ(FL)#FT	59.12	TORQ(LR)%FL	217.58	TORQ(BD)%FL	271.94
AMPS(LR)	115.25	PF AT START	0.45		

This motor is capable of two cold or one hot start with a maximum connected load inertia of 706 Lb-Ft Sq (29.72 Kg-meter Sq)at 100% voltage, where the load torque varies with the square of the speed. Acceleration time with maximum inertia and the above load type is 43 seconds. Safe stall time at 100% voltage is 96 seconds cold, 63 seconds hot. Rotor inertia is 3.22 Lb-Ft Sq (0.14 Kg-meter Sq).

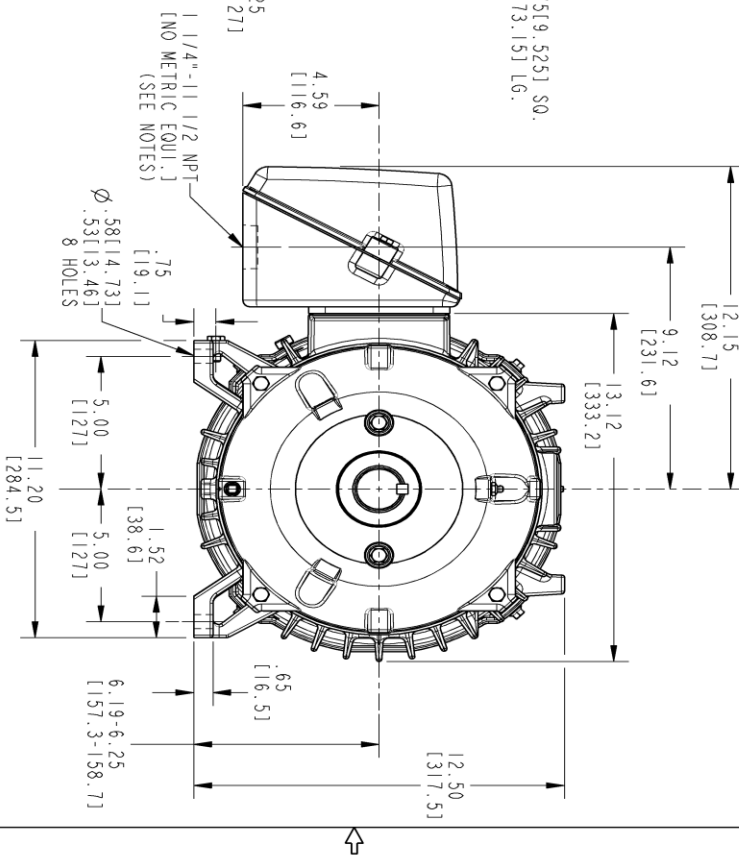
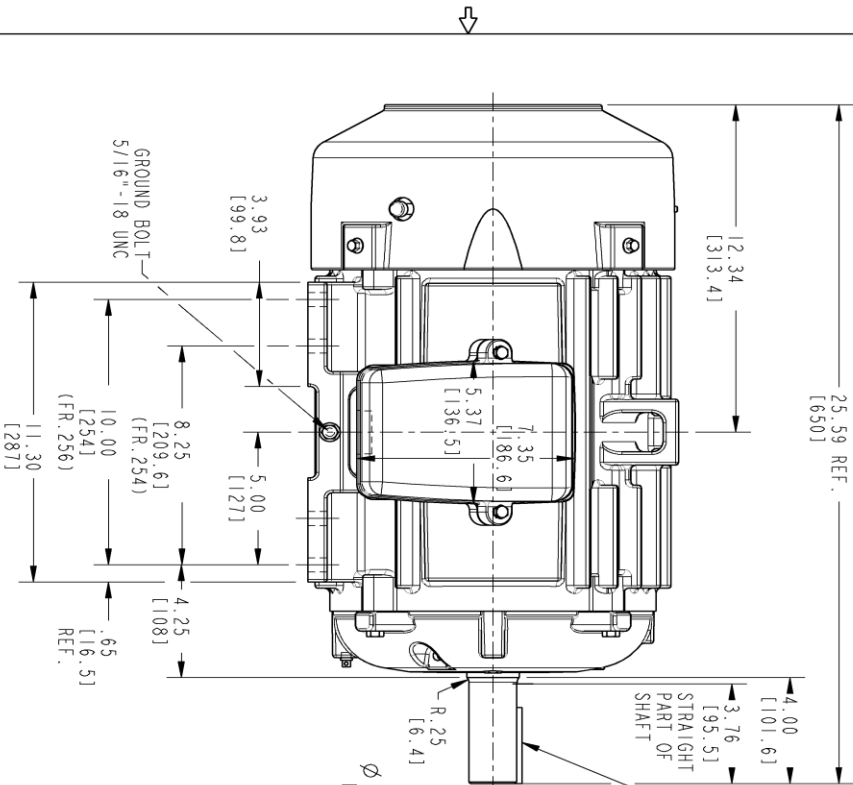
Open Circuit A-C:	0.499	Short Circuit D-C:	0.014
Short Circuit A-C:	0.025	X/R Ratio:	5.249
Stator Slots:	48	Rotor Slots:	40

Speed Torque Current Curve (First Connection, First Speed)



Marks:

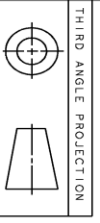
NOTE 1: CONDUIT BOX MAY BE ASSEMBLED WITH ENTRANCE UP, DOWN OR TO EITHER SIDE.
 NOTE 2: FIT ASSEMBLY AS SHOWN.
 NOTE 3: ALL DIMENSIONS ARE IN INCHES, BRACKETED DIMENSIONS ARE IN METRIC (MILLIMETERS)



PROPRIETARY INFORMATION
 © COPYRIGHT 2018 Molong Electric America LLC AND/OR ITS AFFILIATES.
 All rights reserved. This document and the information it contains is the property of Molong Electric America LLC and/or its affiliates. It has been provided solely for the use of the customer for whom it was prepared. No other use, reproduction, transmission, distribution, or disclosure of this information, in any form or by any means, is strictly prohibited except as expressly authorized in writing by Molong Electric America LLC.

REV.	DESCRIPTION	DATE	APPROVED
001	SAGAR K	03/24/21	VJ JAY

SIZE	DRAWING NO.	REV	SHEET
B	4002B5825PAP5992	001	1



THIRD ANGLE PROJECTION

SIGNATURES	DATE	REV
PIVUSH	03/15/21	001
DETAIL	PIVUSH 03/15/21	
CHKD	PIVUSH 03/15/21	
ENGR		
WEG		
QUALITY		
ISSUED	PIVUSH 03/15/21	
SOLID MODEL:	4002B5825PAP5992	

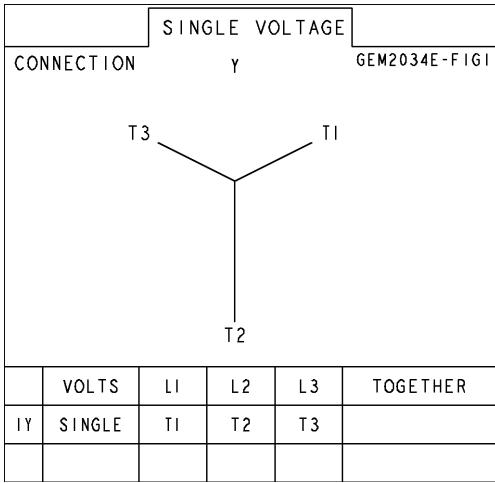


INDUCTION MOTOR OUTLINE
 STANDARD CONSTRUCTION, GROUND PAD
 FMR, FR250T TFC

SCALE:	REF. NO.:	SHEET	REV
0.250	4002B5825PAP5992	001	1

Marks:

Connection Diagram
GEM2034E-FIG1



End shield Assembly		
Part Description	DE Side Part#	ODE Side Part#
End Shield	4004D5283PB1	4004D5283SE1
Bearing	235A2507EB01	235A2507EB01
Slinger/Inproseal	149C4399G02	149C4399G02

Fan & Fan Cover Assembly	
Part Description	Part#
Fan	159C6700G02
Fan Cover	4003C5788PA1

Conduit & Accessories Box Assembly	
Part Description	Part#
Conduit Box	4002B5728PA-G04

Mechanical Accessories	
Part Description	Part#
Brake	
Tachometer	

