



GE INDUSTRIAL MOTORS
a **WOLONG** company

Product Technical Information

February 19, 2021

Data shown is for the current revision model #. Ensure your nameplate model # matches.

Model Number:	5KS324SAA304D10
Catalog Number:	M9758
Instruction Manual:	GEI-56128
Connection Diagram:	GEM2034E-FIG7
Outline Drawing:	239C6000BC

Accessory Connection Diagrams

Bearing Thermocouple:	None	Heater:	None
RTD:	None	Thermistor:	None
Thermostat:	None	Winding Thermocouple:	None
Bearing RTD:	None		

Table of Contents

Specification	01
Performance Characteristics	02
Outline Drawing	03
Connection Drawing(s)	04
Spare parts	05

Marks:

MODEL NUMBER: 5KS324SAA304D10
Outline Drawing: 239C6000BC
Connection Diagram: GEM2034E-FIG7
Instruction Book: GEI-56128
Design Code: 32BD3099B
Type: KS
Frame: 324T
Phases: 3
Poles: 6
Output Power: 25HP 18.5KW
RPM: 1180
Voltage: 575
Hertz: 60
Amps - FL: 25.6
Service Factor: 1.15
Alt Service Factor: --

Estimated Weight: 660 Lbs
Time Rating: CONT
Enclosure: TEFC
Encl Construction: 841
Ambient Max(°C): 40
Alt Ambient Max(°C): --
Insulation Class: H
NEMA Design: B
Nominal Efficiency: 93.0 %
Guaranteed Efficiency: 92.4 %
3/4 Load Efficiency: --
KVA Code: G
Max KVAR: 10.3
Power Factor: 78.5
Bearing - DE: 6312ZC3
Bearing - ODE: 6312ZC3

Enclosure is Totally Enclosed Fan-Cooled

Stamped Nameplate Notes:

IEEE-STD-841-2009
 DE BRG 60BC03JP30, ODE BRG 60BC03JP30
 STAMP NP249A5564P051 AS BELOW:
 MODEL:5KS324SAA304D10 S/N: XXX
 CSA CERTIFIED CSA09.2216219 FOR EX NA IIC 200 C GC
 CL 1 ZONE2 AEX NA IIC 200C;CL 1 DIV2 GRP ABCD 200C
 IN -40C <= AMB <= 40C, 1.0 SF ON SINE-WAVE PWR
 SURF TEMP 200C AT 1.15SF ON SINE-WAVE PWR
 OR 200C VT OR 200C CT OR 200C CHP PWM CONTROL
 ALTERNATE RATING FOR PWM CONTROL 1.0SF 40C AMB
 VT 0 - 60 HZ, CT 3 - 60 HZ, CHP 60 - 90 HZ.



Additional Information:

6P - T EXTN
PAINTED FRAME ID & SHAFT,
FAN COVER INSIDE & ODE E/S OUTSIDE
C/BOX 346 CU IN - 3.00" NPT
OIL RESISTANT SLEEVING ON LEADS
.0015" TIR SHAFT RUNOUT
ROUTINE TEST REPORT AND 5 POINT VIBRATION TEST
REPORT INCLUDED IN C/B
GROUND PAD
F1 MOUNTING



Performance Characteristics

1st Winding 1st Connection

Design: 32BD3099B

Marks:

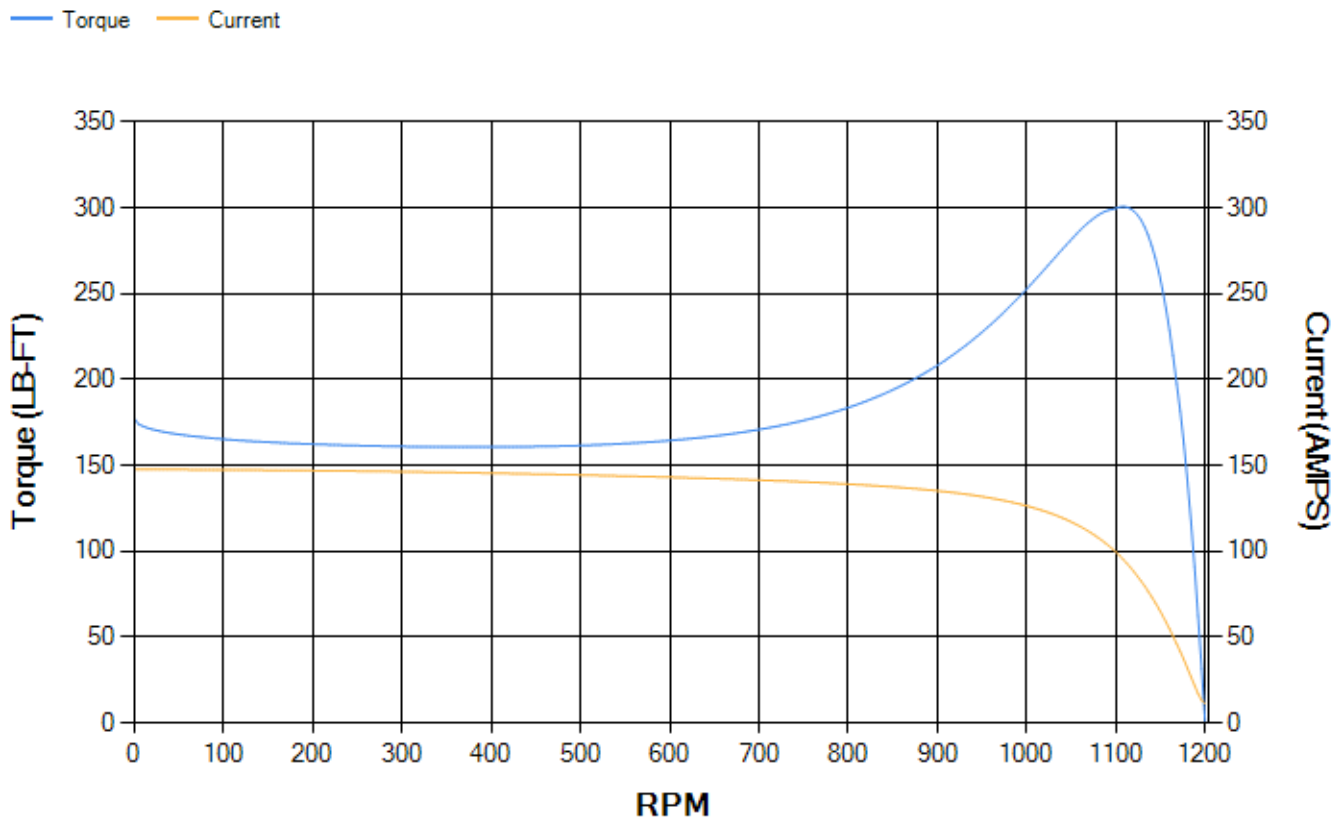
LOAD %	125.0	115.0	100.0	75.0	50.0	25.0	0.0
% EFF	92.16	92.53	93.18	93.36	92.9	89.53	0.00
% PF	81.01	80.31	78.62	73.27	62.23	40.31	4.01
AMPS	31.34	28.97	25.54	20.52	16.19	12.97	11.46

TORQ(FL)#FT	111.2	TORQ(LR)%FL	159.39	TORQ(BD)%FL	268.17
AMPS(LR)	147.73	PF AT START	0.33		

This motor is capable of two cold or one hot start with a maximum connected load inertia of 2437 Lb-Ft Sq (102.6 Kg-meter Sq)at 100% voltage, where the load torque varies with the square of the speed. Acceleration time with maximum inertia and the above load type is 62 seconds. Safe stall time at 100% voltage is 116 seconds cold, 75 seconds hot. Rotor inertia is 8.87 Lb-Ft Sq (0.37 Kg-meter Sq).

Open Circuit A-C:	0.34	Short Circuit D-C:	0.017
Short Circuit A-C:	0.022	X/R Ratio:	6.555
Stator Slots:	54	Rotor Slots:	40

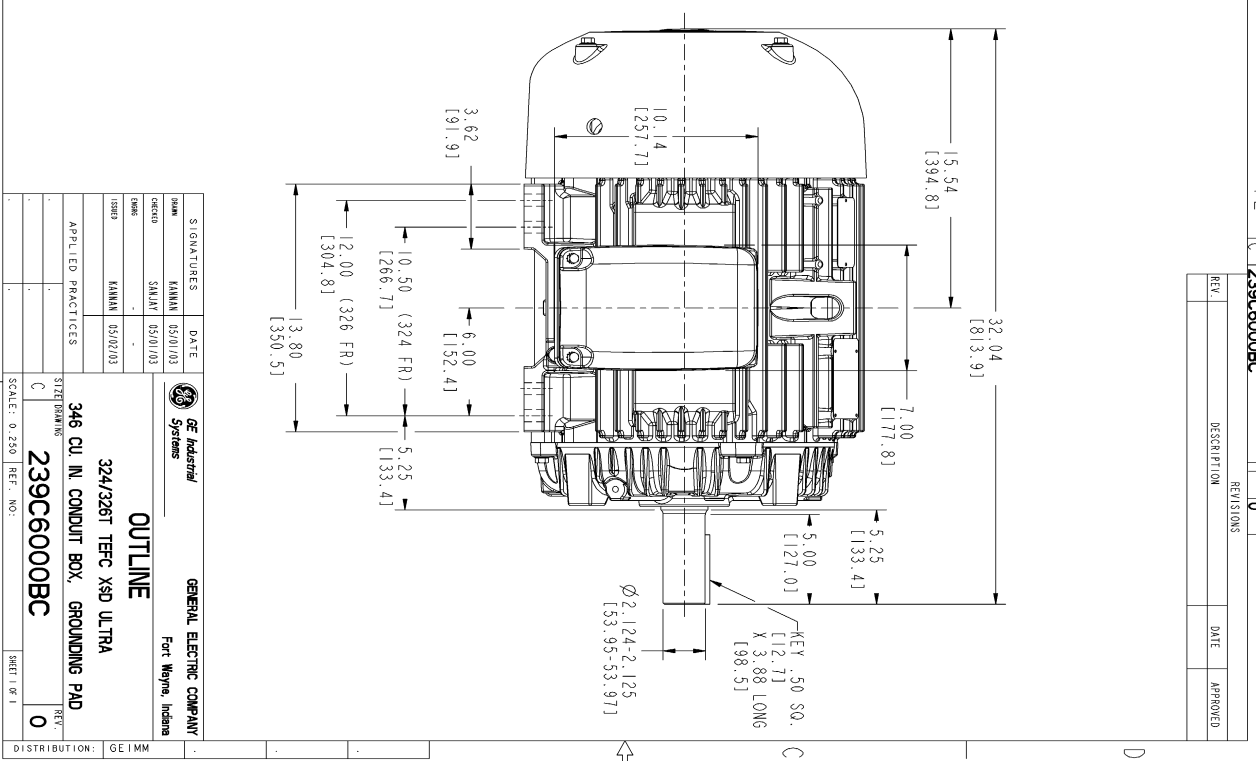
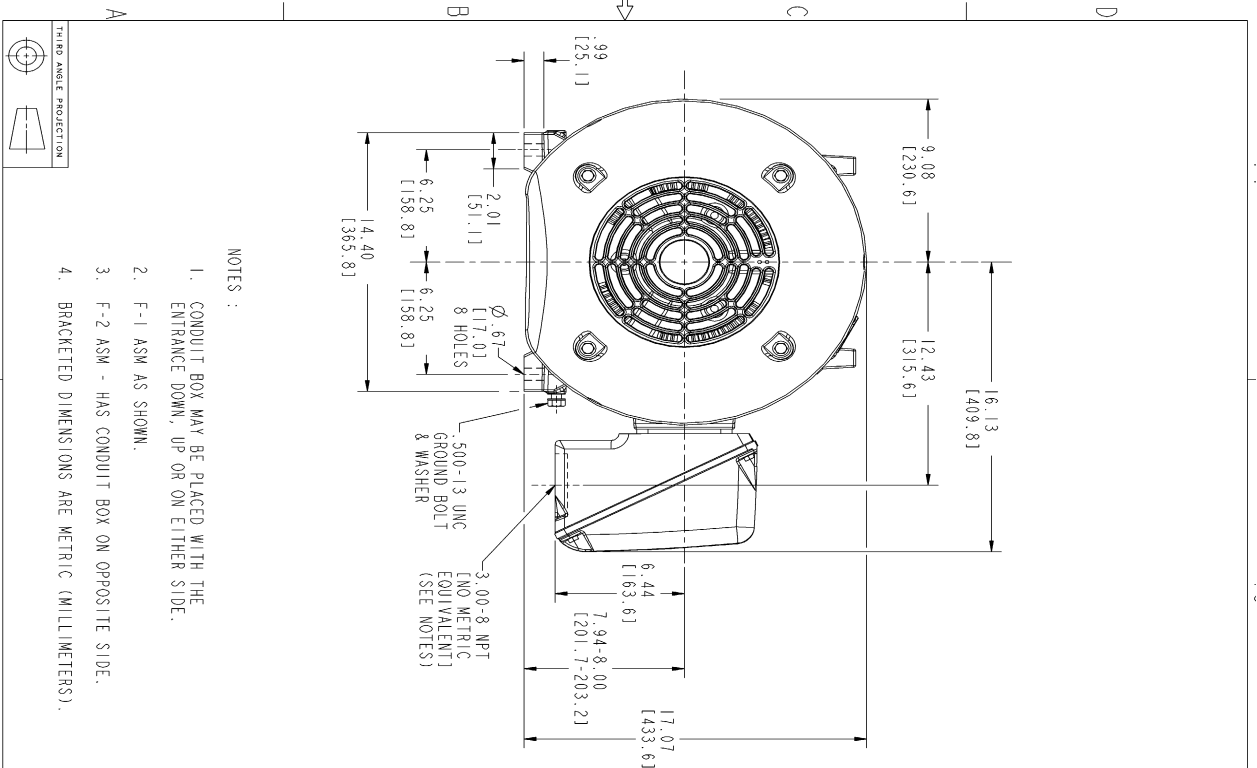
Speed Torque Current Curve (First Connection, First Speed)



NAME: 103013435 OBJECT: 239C6000BC DATE: 02-May-03 16:11:49

239C6000BC
ASSEM

Marks:



- NOTES :
1. CONDUIT BOX MAY BE PLACED WITH THE ENTRANCE DOWN, UP OR ON EITHER SIDE.
 2. F-1 ASM AS SHOWN.
 3. F-2 ASM - HAS CONDUIT BOX ON OPPOSITE SIDE.
 4. BRACKETED DIMENSIONS ARE METRIC (MILLIMETERS).

REV	DESCRIPTION	DATE	APPROVED

DATE	DATE	DATE	DATE
05/01/03	05/01/03	05/01/03	05/01/03
SKALNY	SKALNY	SKALNY	SKALNY

DATE	DATE	DATE	DATE
05/01/03	05/01/03	05/01/03	05/01/03
SKALNY	SKALNY	SKALNY	SKALNY

DATE	DATE	DATE	DATE
05/01/03	05/01/03	05/01/03	05/01/03
SKALNY	SKALNY	SKALNY	SKALNY

DATE	DATE	DATE	DATE
05/01/03	05/01/03	05/01/03	05/01/03
SKALNY	SKALNY	SKALNY	SKALNY

DATE	DATE	DATE	DATE
05/01/03	05/01/03	05/01/03	05/01/03
SKALNY	SKALNY	SKALNY	SKALNY

DATE	DATE	DATE	DATE
05/01/03	05/01/03	05/01/03	05/01/03
SKALNY	SKALNY	SKALNY	SKALNY

DATE	DATE	DATE	DATE
05/01/03	05/01/03	05/01/03	05/01/03
SKALNY	SKALNY	SKALNY	SKALNY

SCALE: 0.250 REF. NO. 0

GENERAL ELECTRIC COMPANY
Fort Wayne, Indiana

324/326T TERC XSD ULTRA
346 CU IN CONDUIT BOX, GROUNDING PAD

239C6000BC

SHEET 1 OF 1

DISTRIBUTION: GE IMM

Marks:

Connection Diagram
GEM2034E-FIG7



End shield Assembly		
Part Description	DE Side Part#	ODE Side Part#
End Shield	115E4200AA1	115E4200LA1
Bearing	235A2509AS01	235A2509AS01
Slinger/Inproseal	149C4399G04	149C4399G04

Fan & Fan Cover Assembly	
Part Description	Part#
Fan	159C7000G01
Fan Cover	128D6800AA1

Conduit & Accessories Box Assembly	
Part Description	Part#
Conduit Box	149C4429AA2

Mechanical Accessories	
Part Description	Part#
Brake	
Tachometer	

