



GE INDUSTRIAL MOTORS
a **WOLONG** company

Product Technical Information

January 30, 2021

Data shown is for the current revision model #. Ensure your nameplate model # matches.

Model Number:	5KS326SAA204D10
Catalog Number:	M9765
Instruction Manual:	GEI-56128
Connection Diagram:	GEM2034E-FIG7
Outline Drawing:	239C6000BC

Accessory Connection Diagrams

Bearing Thermocouple:	None	Heater:	None
RTD:	None	Thermistor:	None
Thermostat:	None	Winding Thermocouple:	None
Bearing RTD:	None		

Table of Contents

Specification	01
Performance Characteristics	02
Outline Drawing	03
Connection Drawing(s)	04
Spare parts	05

Marks:

MODEL NUMBER:	5KS326SAA204D10	Estimated Weight:	710 Lbs
Outline Drawing:	239C6000BC	Time Rating:	CONT
Connection Diagram:	GEM2034E-FIG7	Enclosure:	TEFC
Instruction Book:	GEI-56128	Encl Construction:	841
Design Code:	32BD1183B	Ambient Max(°C):	40
Type:	KS	Alt Ambient Max(°C):	--
Frame:	326T	Insulation Class:	H
Phases:	3	NEMA Design:	B
Poles:	4	Nominal Efficiency:	94.5 %
Output Power:	50HP 37KW	Guaranteed Efficiency:	94.1 %
RPM:	1780	3/4 Load Efficiency:	--
Voltage:	575	KVA Code:	G
Hertz:	60	Max KVAR:	18.1
Amps - FL:	48.9	Power Factor:	81.0
Service Factor:	1.15	Bearing - DE:	6312ZC3
Alt Service Factor:	--	Bearing - ODE:	6312ZC3

Enclosure is Totally Enclosed Fan-Cooled

Stamped Nameplate Notes:

IEEE-STD-841-2009

DE BRG 60BC03JP30, ODE BRG 60BC03JP30

STAMP NP249A5564P051 AS BELOW:

MODEL:5KS326SAA204D10 S/N: XXX

CSA CERTIFIED CSA09.2216219 FOR EX NA IIC 200 C GC

CL 1 ZONE2 AEX NA IIC 200C;CL 1 DIV2 GRP ABCD 200C

IN -40C <= AMB <= 40C, 1.0 SF ON SINE-WAVE PWR

SURF TEMP 260C AT 1.15SF ON SINE-WAVE PWR

OR 200C VT OR 230C CT OR 200C CHP PWM CONTROL

ALTERNATE RATING FOR PWM CONTROL 1.0SF 40C AMB

VT 0-60 HZ, CT 10-60 HZ, CHP 60-90 HZ.



Additional Information:

4P - T EXTN
PAINTED FRAME ID & SHAFT,
FAN COVER INSIDE & ODE E/S OUTSIDE
C/BOX 346 CU IN - 3.00" NPT
OIL RESISTANT SLEEVING ON LEADS
.0015" TIR SHAFT RUNOUT
ROUTINE TEST REPORT AND 5 POINT VIBRATION TEST
REPORT INCLUDED IN C/B
GROUND PAD
F1 MOUNTING



Performance Characteristics

1st Winding 1st Connection

Design: 32BD1183B

Marks:

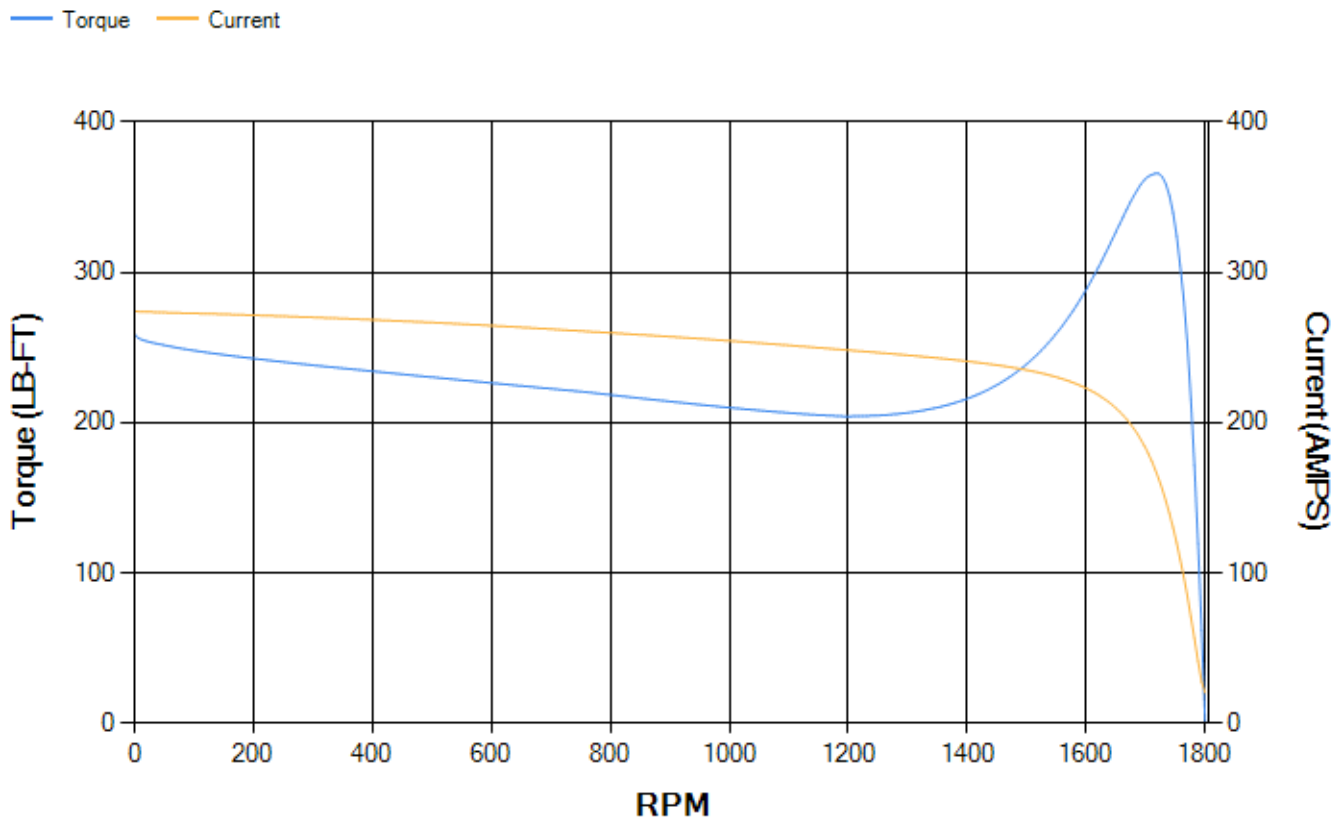
LOAD %	125.0	115.0	100.0	75.0	50.0	25.0	0.0
% EFF	93.86	94.15	94.7	94.81	94.48	91.87	0.00
% PF	82.87	82.35	81	76.37	66.09	43.72	3.31
AMPS	60.16	55.53	48.71	38.78	29.98	23.3	20.18

TORQ(FL)#FT	147.6	TORQ(LR)%FL	175.5	TORQ(BD)%FL	246.95
AMPS(LR)	274.09	PF AT START	0.33		

This motor is capable of two cold or one hot start with a maximum connected load inertia of 1083 Lb-Ft Sq (45.59 Kg-meter Sq)at 100% voltage, where the load torque varies with the square of the speed. Acceleration time with maximum inertia and the above load type is 34 seconds. Safe stall time at 100% voltage is 78 seconds cold, 41 seconds hot. Rotor inertia is 8.52 Lb-Ft Sq (0.36 Kg-meter Sq).

Open Circuit A-C:	0.509	Short Circuit D-C:	0.023
Short Circuit A-C:	0.031	X/R Ratio:	8.831
Stator Slots:	48	Rotor Slots:	38

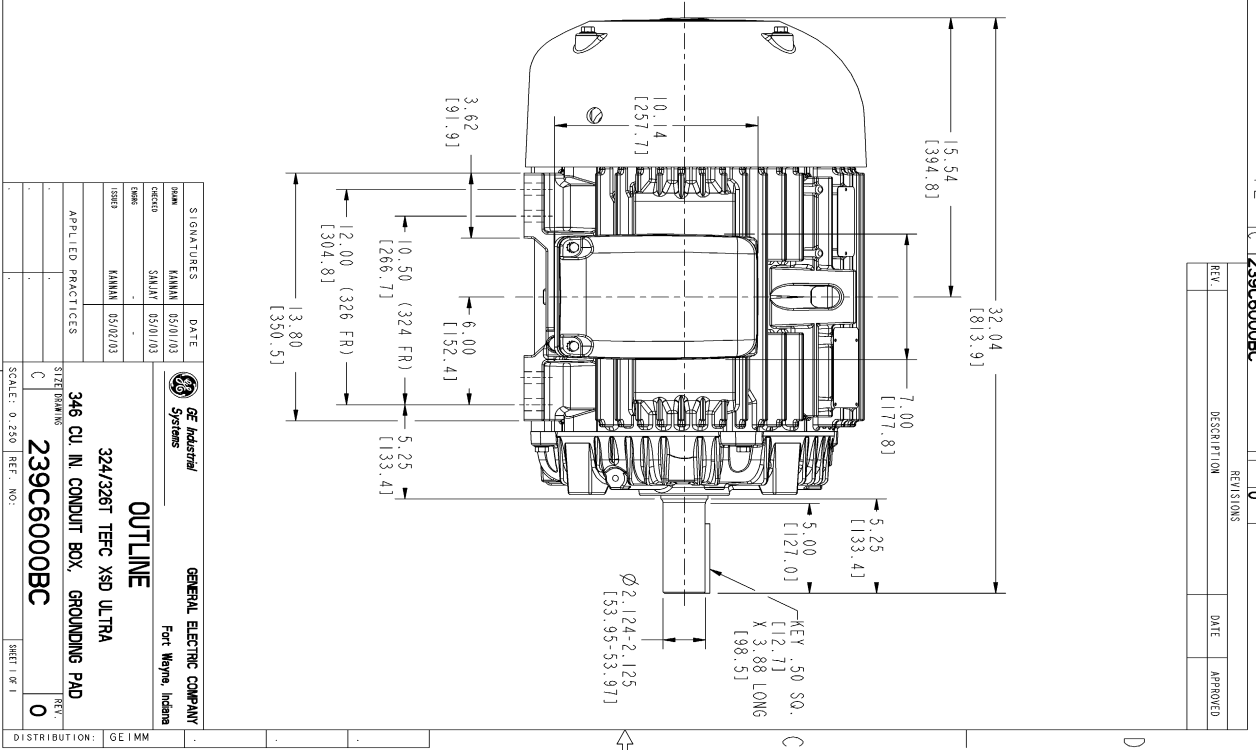
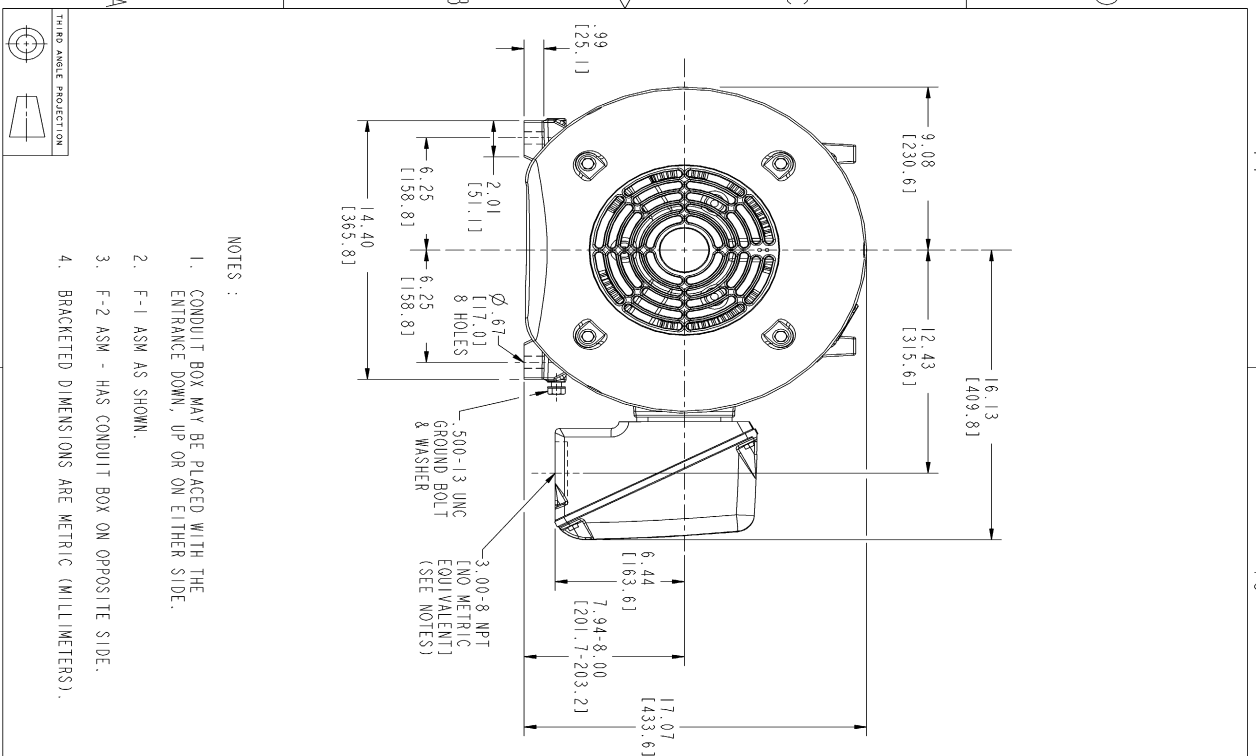
Speed Torque Current Curve (First Connection, First Speed)



NAME: 103013435 OBJECT: 239C6000BC DATE: 02-May-03 16:11:49

239C6000BC
ASSEM

Marks:



- NOTES :
1. CONDUIT BOX MAY BE PLACED WITH THE ENTRANCE DOWN, UP OR ON EITHER SIDE.
 2. F-1 ASM AS SHOWN.
 3. F-2 ASM - HAS CONDUIT BOX ON OPPOSITE SIDE.
 4. BRACKETED DIMENSIONS ARE METRIC (MILLIMETERS).

REV	DESCRIPTION	DATE	APPROVED

DATE	DATE	DATE	DATE
05/01/03	05/01/03	05/01/03	05/01/03
SKALNY	SKALNY	SKALNY	SKALNY

APPLIED PRACTICES	STRENGTH

SCALE: 0.250	REF. NO.:

GENERAL ELECTRIC COMPANY	324/326T TERC XSD ULTRA
Fort Wayne, Indiana	346 CU IN CONDUIT BOX, GROUNDING PAD

4 3 2

DISTRIBUTION: GE IMM

Marks:

Connection Diagram
GEM2034E-FIG7



End shield Assembly		
Part Description	DE Side Part#	ODE Side Part#
End Shield	115E4200AA1	115E4200LA1
Bearing	235A2509AS01	235A2509AS01
Slinger/Inproseal	149C4399G04	149C4399G04

Fan & Fan Cover Assembly	
Part Description	Part#
Fan	159C6900G04
Fan Cover	128D6800AA1

Conduit & Accessories Box Assembly	
Part Description	Part#
Conduit Box	149C4429AA2

Mechanical Accessories	
Part Description	Part#
Brake	
Tachometer	

