



**GE INDUSTRIAL MOTORS**  
a **WOLONG** company

# Product Technical Information

February 19, 2021

Data shown is for the current revision model #. Ensure your nameplate model # matches.

<b>Model Number:</b>	<b>5KS324SAA204D11</b>
<b>Catalog Number:</b>	<b>M9768</b>
<b>Instruction Manual:</b>	GEI-56128
<b>Connection Diagram:</b>	GEM2034E-FIG7
<b>Outline Drawing:</b>	239C6000BC

## Accessory Connection Diagrams

<b>Bearing Thermocouple:</b>	None	<b>Heater:</b>	None
<b>RTD:</b>	None	<b>Thermistor:</b>	None
<b>Thermostat:</b>	None	<b>Winding Thermocouple:</b>	None
<b>Bearing RTD:</b>	None		

## Table of Contents

Specification	01
Performance Characteristics	02
Outline Drawing	03
Connection Drawing(s)	04
Spare parts	05

Marks:

<b>MODEL NUMBER:</b>	<b>5KS324SAA204D11</b>	<b>Estimated Weight:</b>	670 Lbs
<b>Outline Drawing:</b>	239C6000BC	<b>Time Rating:</b>	CONT
<b>Connection Diagram:</b>	GEM2034E-FIG7	<b>Enclosure:</b>	TEFC
<b>Instruction Book:</b>	GEI-56128	<b>Encl Construction:</b>	841
<b>Design Code:</b>	32BD1182B	<b>Ambient Max(°C):</b>	40
<b>Type:</b>	KS	<b>Alt Ambient Max(°C):</b>	--
<b>Frame:</b>	324T	<b>Insulation Class:</b>	H
<b>Phases:</b>	3	<b>NEMA Design:</b>	B
<b>Poles:</b>	4	<b>Nominal Efficiency:</b>	94.1 %
<b>Output Power:</b>	40HP 29.6KW	<b>Guaranteed Efficiency:</b>	93.6 %
<b>RPM:</b>	1780	<b>3/4 Load Efficiency:</b>	--
<b>Voltage:</b>	575	<b>KVA Code:</b>	G
<b>Hertz:</b>	60	<b>Max KVAR:</b>	14.9
<b>Amps - FL:</b>	39.5	<b>Power Factor:</b>	80.5
<b>Service Factor:</b>	1.15	<b>Bearing - DE:</b>	6312ZC3
<b>Alt Service Factor:</b>	--	<b>Bearing - ODE:</b>	6312ZC3

Enclosure is Totally Enclosed Fan-Cooled

---

Stamped Nameplate Notes:

IEEE-STD-841-2009

DE BRG 60BC03JP30, ODE BRG 60BC03JP30

STAMP NP249A5564P051 AS BELOW:

MODEL:5KS324SAA204D11 S/N: XXX

CSA CERTIFIED CSA09.2216219 FOR EX NA IIC 200 C GC

CL 1 ZONE2 AEX NA IIC 200C;CL 1 DIV2 GRP ABCD 200C

IN -40C <= AMB <= 40C, 1.0 SF ON SINE-WAVE PWR

SURF TEMP 230C AT 1.15SF ON SINE-WAVE PWR

OR 200C VT OR 230C CT OR 200C CHP PWM CONTROL

ALTERNATE RATING FOR PWM CONTROL 1.0SF 40C AMB

VT 0 - 60 HZ, CT 3 - 60 HZ, CHP 60 - 90 HZ.



**Additional Information:**

4P - T EXTN  
PAINTED FRAME ID & SHAFT,  
FAN COVER INSIDE & ODE E/S OUTSIDE  
C/BOX 346 CU IN - 3.00" NPT  
OIL RESISTANT SLEEVING ON LEADS  
.0015" TIR SHAFT RUNOUT  
ROUTINE TEST REPORT AND 5 POINT VIBRATION TEST  
REPORT INCLUDED IN C/B  
GROUND PAD  
F1 MOUNTING



**Performance Characteristics**

1st Winding 1st Connection

**Design: 32BD1182B**

**Marks:**

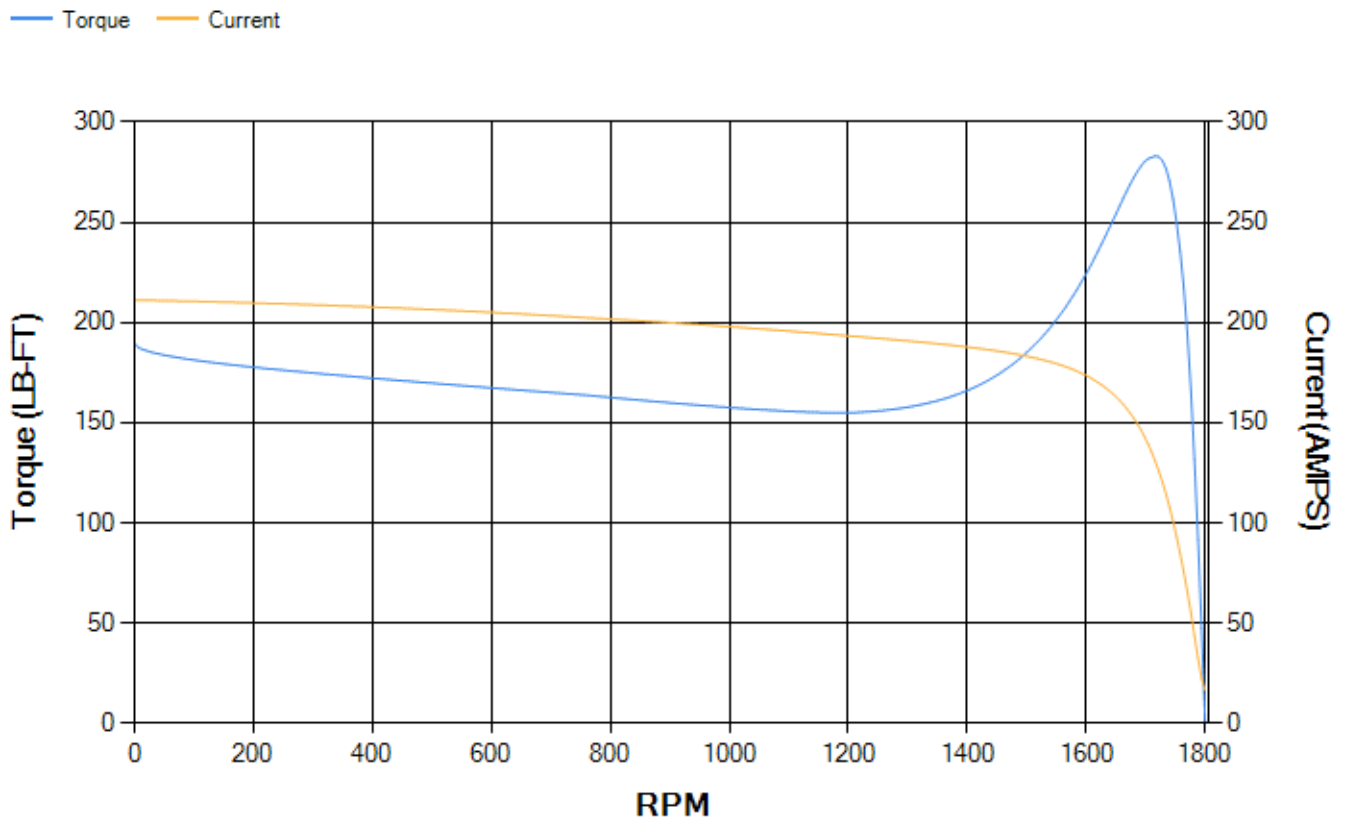
LOAD %	125.0	115.0	100.0	75.0	50.0	25.0	0.0
% EFF	93.33	93.64	94.22	94.34	93.95	91.06	0.00
% PF	82.36	81.84	80.45	75.72	65.32	43.05	3.58
AMPS	48.7	44.94	39.43	31.44	24.4	19.1	16.61

**TORQ(FL)#FT** 118.14      **TORQ(LR)%FL** 160.5      **TORQ(BD)%FL** 238.7  
**AMPS(LR)** 211.22      **PF AT START** 0.33

This motor is capable of two cold or one hot start with a maximum connected load inertia of 931 Lb-Ft Sq (39.2 Kg-meter Sq)at 100% voltage, where the load torque varies with the square of the speed. Acceleration time with maximum inertia and the above load type is 39 seconds. Safe stall time at 100% voltage is 88 seconds cold, 47 seconds hot. Rotor inertia is 6.94 Lb-Ft Sq (0.29 Kg-meter Sq).

**Open Circuit A-C:** 0.48      **Short Circuit D-C:** 0.022  
**Short Circuit A-C:** 0.031      **X/R Ratio:** 8.268  
**Stator Slots:** 48      **Rotor Slots:** 38

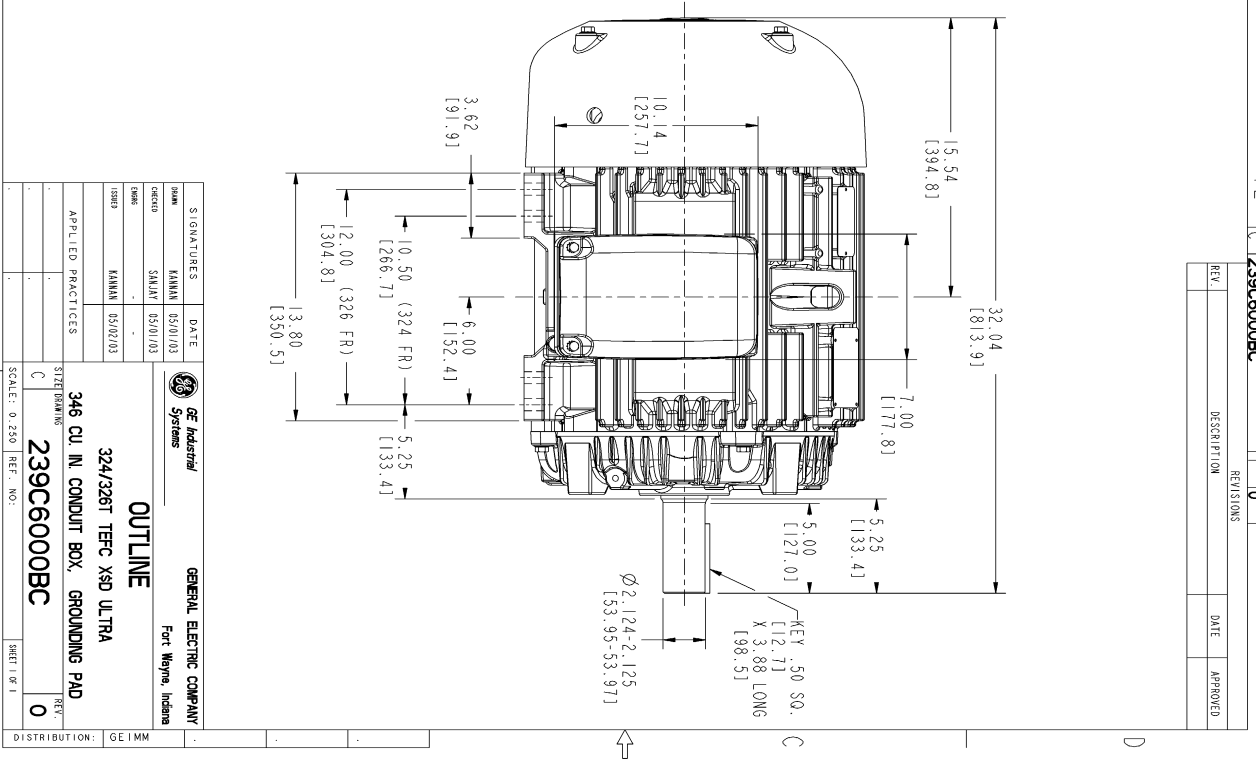
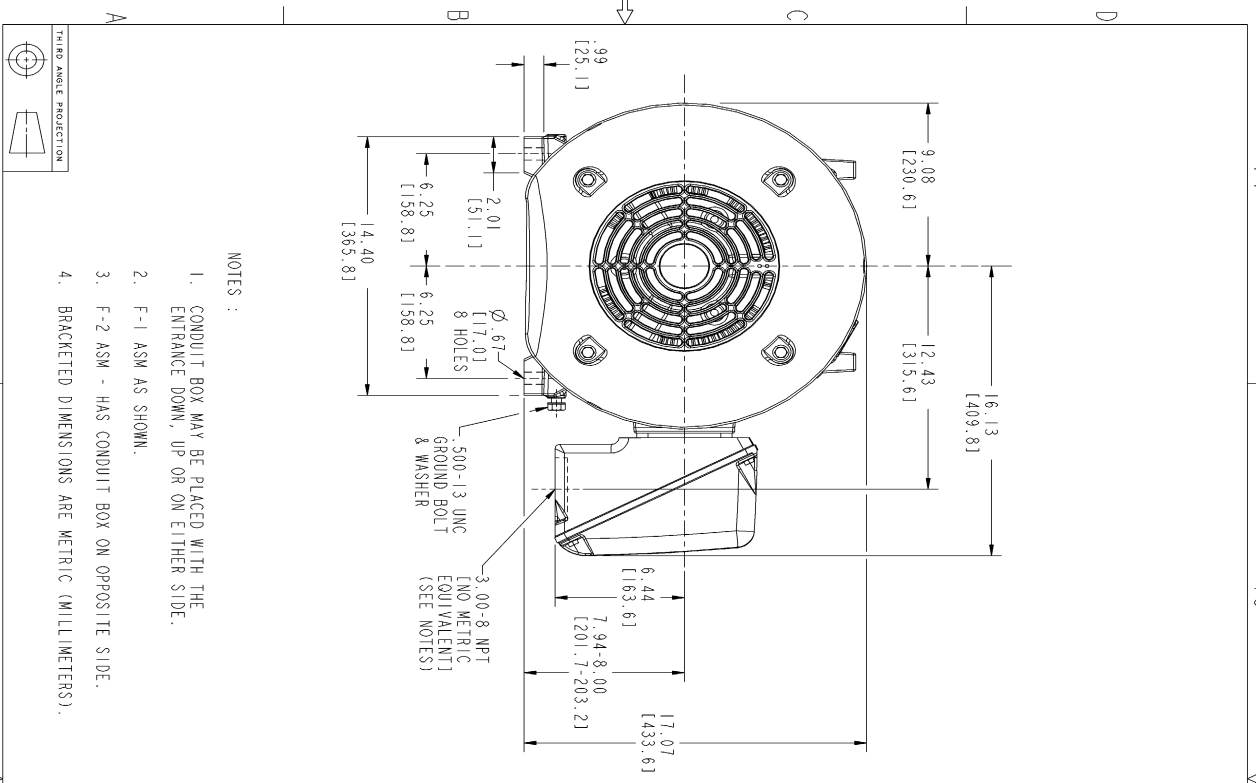
**Speed Torque Current Curve (First Connection, First Speed)**



NAME: 103013435 OBJECT: 239C6000BC DATE: 02-May-03 16:11:49

239C6000BC  
ASSEM

Marks:



- NOTES :
1. CONDUIT BOX MAY BE PLACED WITH THE ENTRANCE DOWN, UP OR ON EITHER SIDE.
  2. F-1 ASM AS SHOWN.
  3. F-2 ASM - HAS CONDUIT BOX ON OPPOSITE SIDE.
  4. BRACKETED DIMENSIONS ARE METRIC (MILLIMETERS).

REV	DESCRIPTION	DATE	APPROVED

DATE	DATE	DATE	DATE
05/01/03	05/01/03	05/01/03	05/01/03
SKALNY	SKALNY	SKALNY	SKALNY

APPLIED PRACTICES	STRENGTH

SCALE: 0.250	REF. NO.:

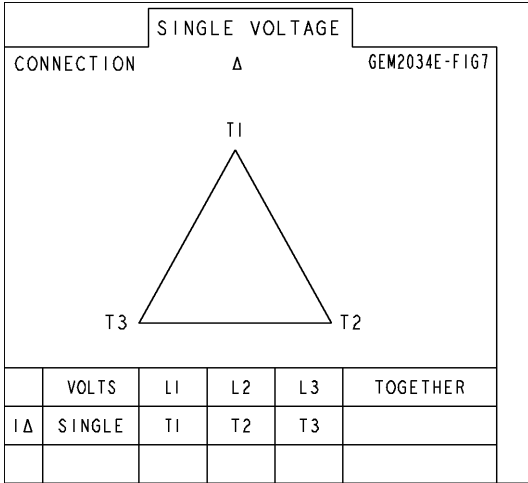
346 CU IN CONDUIT BOX, GROUNDING PAD
239C6000BC
0

4 3 2

DISTRIBUTION: GE IMM

**Marks:**

**Connection Diagram**  
**GEM2034E-FIG7**



End shield Assembly		
Part Description	DE Side Part#	ODE Side Part#
End Shield	115E4200AA1	115E4200LA1
Bearing	235A2509AS01	235A2509AS01
Slinger/Inproseal	149C4399G04	149C4399G04

Fan & Fan Cover Assembly	
Part Description	Part#
Fan	159C6900G04
Fan Cover	128D6800AA1

Conduit & Accessories Box Assembly	
Part Description	Part#
Conduit Box	149C4429AA2

Mechanical Accessories	
Part Description	Part#
Brake	
Tachometer	

