



GE INDUSTRIAL MOTORS
a **WOLONG** company

Product Technical Information

December 30, 2020

Data shown is for the current revision model #. Ensure your nameplate model # matches.

Model Number:	5KS444SAA408D5
Catalog Number:	M9780
Instruction Manual:	GEI-56128
Connection Diagram:	GEM2034E-FIG7
Outline Drawing:	239C6600GX

Accessory Connection Diagrams

Bearing Thermocouple:	None	Heater:	None
RTD:	None	Thermistor:	None
Thermostat:	None	Winding Thermocouple:	None
Bearing RTD:	None		

Table of Contents

Specification	01
Performance Characteristics	02
Outline Drawing	03
Connection Drawing(s)	04
Spare parts	05

Marks:

MODEL NUMBER: 5KS444SAA408D5
Outline Drawing: 239C6600GX
Connection Diagram: GEM2034E-FIG7
Instruction Book: GEI-56128
Design Code: 44BD4011A
Type: KS
Frame: 444T
Phases: 3
Poles: 8
Output Power: 75HP 55.5KW
RPM: 890
Voltage: 460
Hertz: 60
Amps - FL: 101.0
Service Factor: 1.15
Alt Service Factor: --

Estimated Weight: 1700 Lbs
Time Rating: CONT
Enclosure: TEFC
Encl Construction: 841
Ambient Max(°C): 40
Alt Ambient Max(°C): --
Insulation Class: H
NEMA Design: B
Nominal Efficiency: 93.6 %
Guaranteed Efficiency: 93.0 %
3/4 Load Efficiency: --
KVA Code: G
Max KVAR: 35.7
Power Factor: 74.5
Bearing - DE: 6318ZC3
Bearing - ODE: 6318ZC3

Enclosure is Totally Enclosed Fan-Cooled

Stamped Nameplate Notes:

IEEE-STD-841-2009
 DE BRG 90BC03JP3, ODE BRG 90BC03JP3
 STAMP NP249A5564P051 AS BELOW:
 MODEL:5KS444SAA408D5 S/N: XXX
 CSA CERTIFIED CSA09.2216219 FOR EX NA IIC 200 C GC
 CL 1 ZONE2 AEX NA IIC 200C;CL 1 DIV2 GRP ABCD 200C
 IN -40C <= AMB <= 40C, 1.0 SF ON SINE-WAVE PWR
 SURF TEMP 215C AT 1.15SF ON SINE-WAVE PWR
 OR 200C VT OR 230C CT OR 200C CHP PWM CONTROL
 ALTERNATE RATING FOR PWM CONTROL 1.0SF 40C AMB
 VT 0 - 60 HZ, CT 4-60 HZ, CHP 60-90 HZ.



Additional Information:

8P - T EXTN
PAINTED FRAME ID & SHAFT,
FAN COVER INSIDE & ODE E/S OUTSIDE
C/BOX 700 CU IN - 3.00" NPT
OIL RESISTANT SLEEVING ON LEADS
.0015" TIR SHAFT RUNOUT
ROUTINE TEST REPORT AND 5 POINT VIBRATION TEST
REPORT INCLUDED IN C/B
GROUND PAD
F1 MOUNTING



Performance Characteristics

1st Winding 1st Connection

Design: 44BD4011A

Marks:

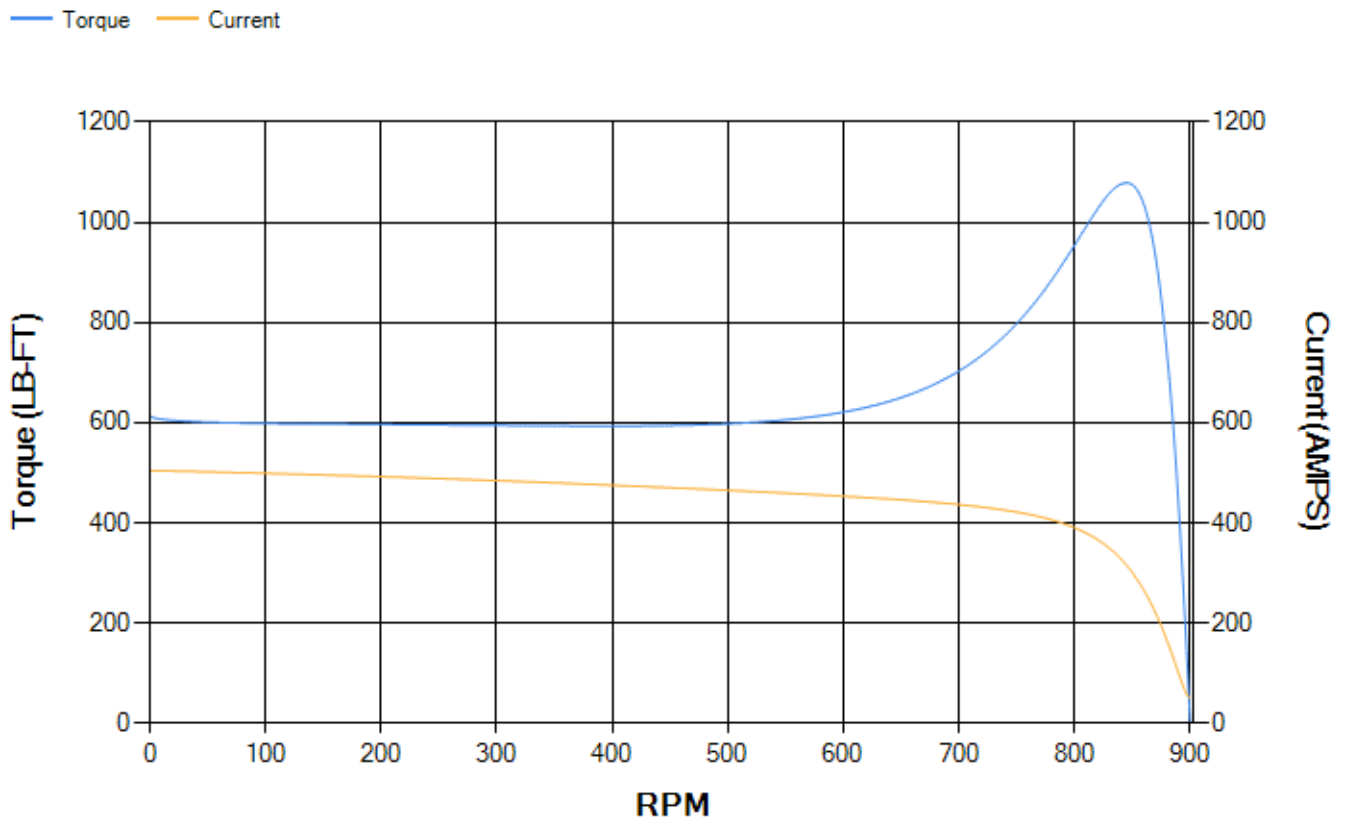
LOAD %	125.0	115.0	100.0	75.0	50.0	25.0	0.0
% EFF	93.38	93.62	94.08	93.94	93.13	89.3	0.00
% PF	77.02	76.25	74.37	68.51	56.96	35.82	3.65
AMPS	122	113.09	100.33	81.81	66.16	54.86	49.84

TORQ(FL)#FT	443.04	TORQ(LR)%FL	138.65	TORQ(BD)%FL	243.01
AMPS(LR)	504.32	PF AT START	0.33		

This motor is capable of two cold or one hot start with a maximum connected load inertia of 9270 Lb-Ft Sq (390.27 Kg-meter Sq)at 100% voltage, where the load torque varies with the square of the speed. Acceleration time with maximum inertia and the above load type is 52 seconds. Safe stall time at 100% voltage is 118 seconds cold, 63 seconds hot. Rotor inertia is 53.88 Lb-Ft Sq (2.27 Kg-meter Sq).

Open Circuit A-C:	0.391	Short Circuit D-C:	0.026
Short Circuit A-C:	0.034	X/R Ratio:	9.861
Stator Slots:	72	Rotor Slots:	58

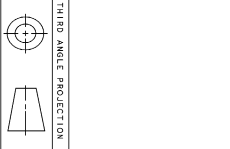
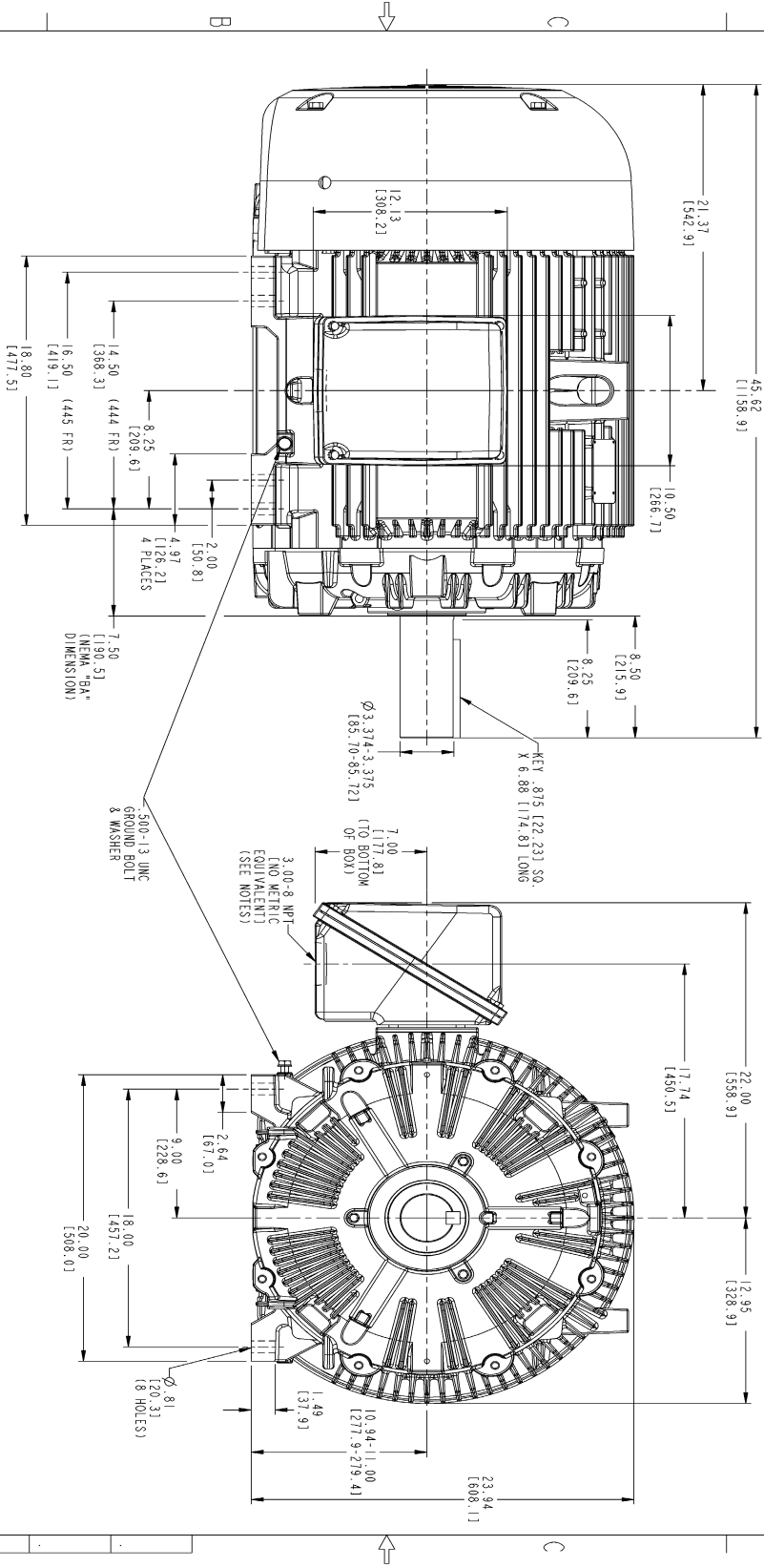
Speed Torque Current Curve (First Connection, First Speed)



NAME:501291659 OBJECT:239C6600GX DATE:07-Aug-08 17:33:22

Marks:

REV.	DESCRIPTION	DATE	APPROVED



NOTES:

- CONDUIT BOX MAY BE PLACED WITH THE ENTRANCE DOWN, UP OR ON EITHER SIDE.
- F-1 ASSEMBLY AS SHOWN.
- F-2 ASSEMBLY HAS CONDUIT BOX ON OPPOSITE SIDE.
- BRACKETED DIMENSIONS ARE METRIC (MILLIMETERS).

SIGNATURES	DATE	GENERAL ELECTRIC COMPANY Fort Wayne, Indiana
SAW	08/01/08	OUTLINE 444/445T TEFCC 700 CU IN. CONDUIT BOX, GROUND PAD 239C6600GX
CHECKED	08/01/08	
DRAWN	08/01/08	
APPLIED PRACTICES		
SIZE DRAWING		
SCALE: 0.200	REF. NO.:	
SHEET 1 OF 1		
DISTRIBUTION: MMP		

Marks:

Connection Diagram
GEM2034E-FIG7



End shield Assembly		
Part Description	DE Side Part#	ODE Side Part#
End Shield	115E4355AA1	115E4355LM1
Bearing	235A2514AG01	235A2514AG01
Slinger/Inproseal	149C4399G07	149C4399G07

Fan & Fan Cover Assembly	
Part Description	Part#
Fan	159C7100G03
Fan Cover	128D6841AA1

Conduit & Accessories Box Assembly	
Part Description	Part#
Conduit Box	118D4408AD2

Mechanical Accessories	
Part Description	Part#
Brake	
Tachometer	

