



GE INDUSTRIAL MOTORS
a **WOLONG** company

Product Technical Information

June 22, 2020

Data shown is for the current revision model #. Ensure your nameplate model # matches.

| | |
|----------------------------|-----------------------|
| Model Number: | 5KS326SAA108D9 |
| Catalog Number: | M9823 |
| Instruction Manual: | GEI-56128 |
| Connection Diagram: | GEM2034E-FIG7 |
| Outline Drawing: | 239C6000AE |

Accessory Connection Diagrams

| | | | |
|------------------------------|------|------------------------------|------|
| Bearing Thermocouple: | None | Heater: | None |
| RTD: | None | Thermistor: | None |
| Thermostat: | None | Winding Thermocouple: | None |
| Bearing RTD: | None | | |

Table of Contents

| | |
|-----------------------------|----|
| Specification | 01 |
| Performance Characteristics | 02 |
| Outline Drawing | 03 |
| Connection Drawing(s) | 04 |
| Spare parts | 05 |

Marks:

| | | | |
|----------------------------|-----------------------|-------------------------------|---------|
| MODEL NUMBER: | 5KS326SAA108D9 | Estimated Weight: | 670 Lbs |
| Outline Drawing: | 239C6000AE | Time Rating: | CONT |
| Connection Diagram: | GEM2034E-FIG7 | Enclosure: | TEFC |
| Instruction Book: | GEI-56128 | Encl Construction: | X\$D |
| Design Code: | 32BD0112A | Ambient Max(°C): | 40 |
| Type: | KS | Alt Ambient Max(°C): | 55 |
| Frame: | 326T | Insulation Class: | H |
| Phases: | 3 | NEMA Design: | B |
| Poles: | 2 | Nominal Efficiency: | 93.0 % |
| Output Power: | 50HP 37KW | Guaranteed Efficiency: | 92.4 % |
| RPM: | 3565 | 3/4 Load Efficiency: | -- |
| Voltage: | 460 | KVA Code: | G |
| Hertz: | 60 | Max KVAR: | 15.1 |
| Amps - FL: | 58.5 | Power Factor: | 86.0 |
| Service Factor: | 1.15 | Bearing - DE: | 6312ZC3 |
| Alt Service Factor: | 1.00 | Bearing - ODE: | 6312ZC3 |

Enclosure is Totally Enclosed Fan-Cooled

Stamped Nameplate Notes:

STAMP NP249A5564P051 AS BELOW:
 MODEL:5KS326SAA108D9 S/N: XXX
 CSA CERTIFIED CSA09.2216219 FOR EX NA IIC 200 C GC
 CL 1 ZONE2 AEX NA IIC 200C;CL 1 DIV2 GRP ABCD 200C
 IN -40C <= AMB <= 40C, 1.0 SF ON SINE-WAVE PWR
 SURF TEMP 260C AT 1.15SF ON SINE-WAVE PWR
 OR 215C VT OR 230C CT OR 215C CHP PWM CONTROL
 ALTERNATE RATING FOR PWM CONTROL 1.0SF 40C AMB
 VT 0 - 60 HZ, CT 30-60 HZ, CHP 60-75 HZ.

Additional Information:

2P - T EXTN
 346 CU IN - 3.00" NPT
 OIL RESISTANT SLEEVING ON LEADS
 F1 MOUNTING



Performance Characteristics

1st Winding 1st Connection

Design: 32BD0112A

Marks:

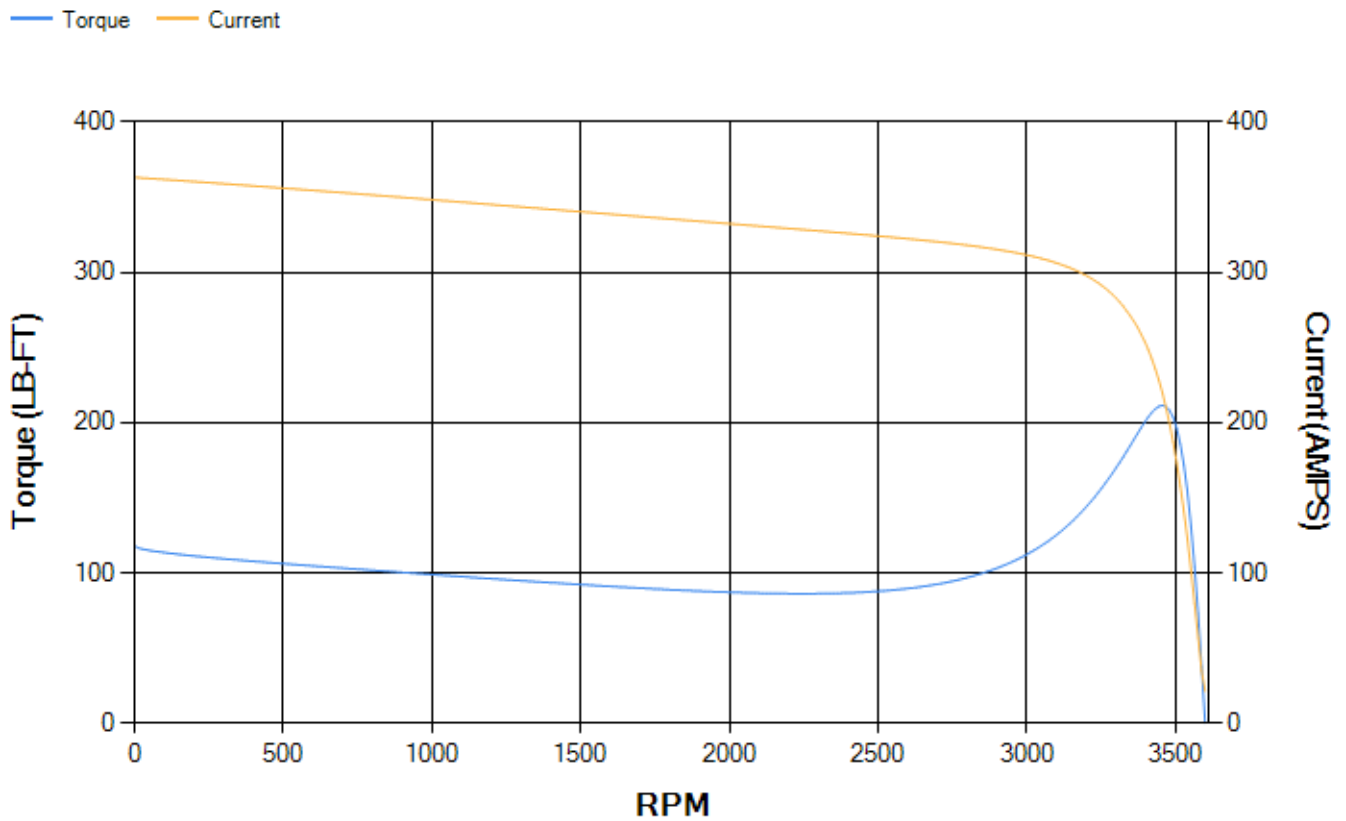
| LOAD % | 125.0 | 115.0 | 100.0 | 75.0 | 50.0 | 25.0 | 0.0 |
|--------|-------|-------|-------|-------|-------|-------|-------|
| % EFF | 93.06 | 93.31 | 93.8 | 93.75 | 93.07 | 89.44 | 0.00 |
| % PF | 87.6 | 87.16 | 86.04 | 82.19 | 73.18 | 51.26 | 5.52 |
| AMPS | 71.76 | 66.17 | 57.92 | 45.55 | 34.36 | 25.52 | 21.24 |

| | | | | | |
|--------------------|--------|--------------------|--------|--------------------|--------|
| TORQ(FL)#FT | 73.65 | TORQ(LR)%FL | 160.29 | TORQ(BD)%FL | 286.84 |
| AMPS(LR) | 363.26 | PF AT START | 0.31 | | |

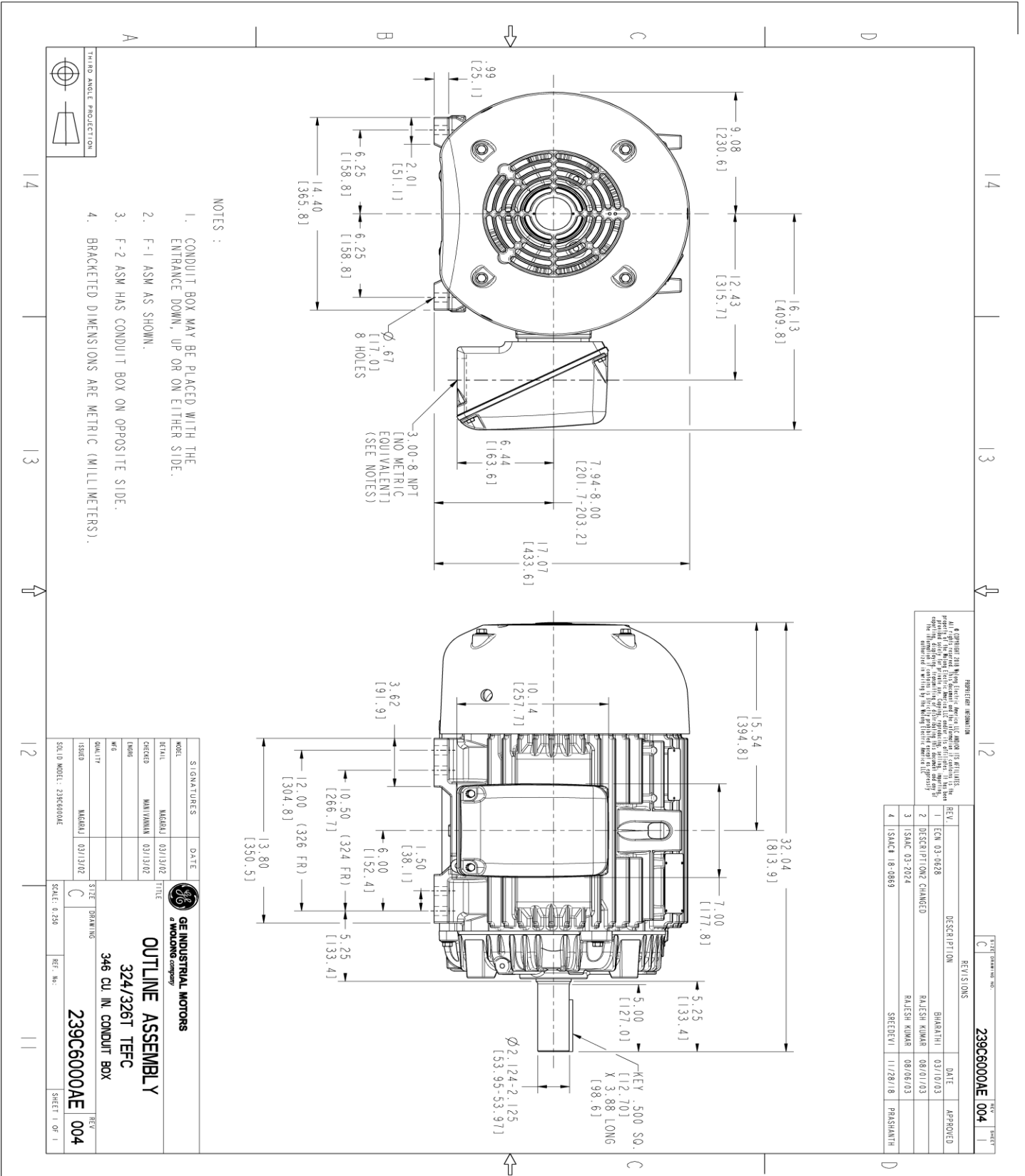
This motor is capable of two cold or one hot start with a maximum connected load inertia of 127 Lb-Ft Sq (5.35 Kg-meter Sq)at 100% voltage, where the load torque varies with the square of the speed. Acceleration time with maximum inertia and the above load type is 19 seconds. Safe stall time at 100% voltage is 45 seconds cold, 22 seconds hot. Rotor inertia is 4.02 Lb-Ft Sq (0.17 Kg-meter Sq).

| | | | |
|---------------------------|-------|---------------------------|-------|
| Open Circuit A-C: | 0.702 | Short Circuit D-C: | 0.018 |
| Short Circuit A-C: | 0.039 | X/R Ratio: | 6.692 |
| Stator Slots: | 48 | Rotor Slots: | 38 |

Speed Torque Current Curve (First Connection, First Speed)

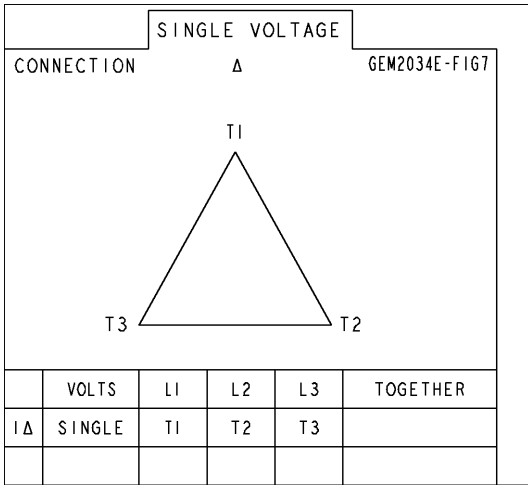


Marks:



Marks:

Connection Diagram
GEM2034E-FIG7



| End shield Assembly | | |
|---------------------|---------------|----------------|
| Part Description | DE Side Part# | ODE Side Part# |
| End Shield | 115E4200AA1 | 115E4200LA1 |
| Bearing | 235A2509AS01 | 235A2509AS01 |
| Slinger/Inproseal | 149C4399G04 | 149C4399G04 |

| Fan & Fan Cover Assembly | |
|--------------------------|-------------|
| Part Description | Part# |
| Fan | 159C6700G02 |
| Fan Cover | 128D6800AA1 |

| Conduit & Accessories Box Assembly | |
|------------------------------------|-------------|
| Part Description | Part# |
| Conduit Box | 149C4429AA2 |

| Mechanical Accessories | |
|------------------------|-------|
| Part Description | Part# |
| Brake | |
| Tachometer | |

