



GE INDUSTRIAL MOTORS
a **WOLONG** company

Product Technical Information

January 30, 2021

Data shown is for the current revision model #. Ensure your nameplate model # matches.

Model Number:	5KS365SAA114D8
Catalog Number:	M9830
Instruction Manual:	GEI-56128
Connection Diagram:	GEM2034E-FIG7
Outline Drawing:	239C6200ACD

Accessory Connection Diagrams

Bearing Thermocouple:	None	Heater:	None
RTD:	None	Thermistor:	None
Thermostat:	None	Winding Thermocouple:	None
Bearing RTD:	None		

Table of Contents

Specification	01
Performance Characteristics	02
Outline Drawing	03
Connection Drawing(s)	04
Spare parts	05

Marks:

MODEL NUMBER: 5KS365SAA114D8
Outline Drawing: 239C6200ACD
Connection Diagram: GEM2034E-FIG7
Instruction Book: GEI-56128
Design Code: 36BD0118B
Type: KS
Frame: 365TS
Phases: 3
Poles: 2
Output Power: 75HP 55.5KW
RPM: 3575
Voltage: 575
Hertz: 60
Amps - FL: 68.3
Service Factor: 1.15
Alt Service Factor: --

Estimated Weight: 1030 Lbs
Time Rating: CONT
Enclosure: TEFC
Encl Construction: 841
Ambient Max(°C): 40
Alt Ambient Max(°C): --
Insulation Class: H
NEMA Design: B
Nominal Efficiency: 94.5 %
Guaranteed Efficiency: 94.1 %
3/4 Load Efficiency: --
KVA Code: G
Max KVAR: 20.3
Power Factor: 87.0
Bearing - DE: 6314ZC3
Bearing - ODE: 6314ZC3

Enclosure is Totally Enclosed Fan-Cooled

Stamped Nameplate Notes:

IEEE-STD-841-2009
 DE BRG 70BC03JP30, ODE BRG 70BC03JP30
 STAMP NP249A5564P051 AS BELOW:
 MODEL:5KS365SAA114D8 S/N: XXX
 CSA CERTIFIED CSA09.2216219 FOR EX NA IIC 200 C GC
 CL 1 ZONE2 AEX NA IIC 200C;CL 1 DIV2 GRP ABCD 200C
 IN -40C <= AMB <= 40C, 1.0 SF ON SINE-WAVE PWR
 SURF TEMP 215C AT 1.15SF ON SINE-WAVE PWR
 OR 200C VT OR 230C CT OR ---C CHP PWM CONTROL
 ALTERNATE RATING FOR PWM CONTROL 1.0SF 40C AMB
 VT 0-60 HZ, CT 15-60 HZ, CHP -- HZ.



Additional Information:

2P - TS EXTN
PAINTED FRAME ID & SHAFT,
FAN COVER INSIDE & ODE E/S OUTSIDE
C/BOX 346 CU IN - 3.00" NPT
OIL RESISTANT SLEEVING ON LEADS
.0015" TIR SHAFT RUNOUT
ROUTINE TEST REPORT AND 5 POINT VIBRATION TEST
REPORT INCLUDED IN C/B
GROUND PAD
F1 MOUNTING



Performance Characteristics

1st Winding 1st Connection

Design: 36BD0118B

Marks:

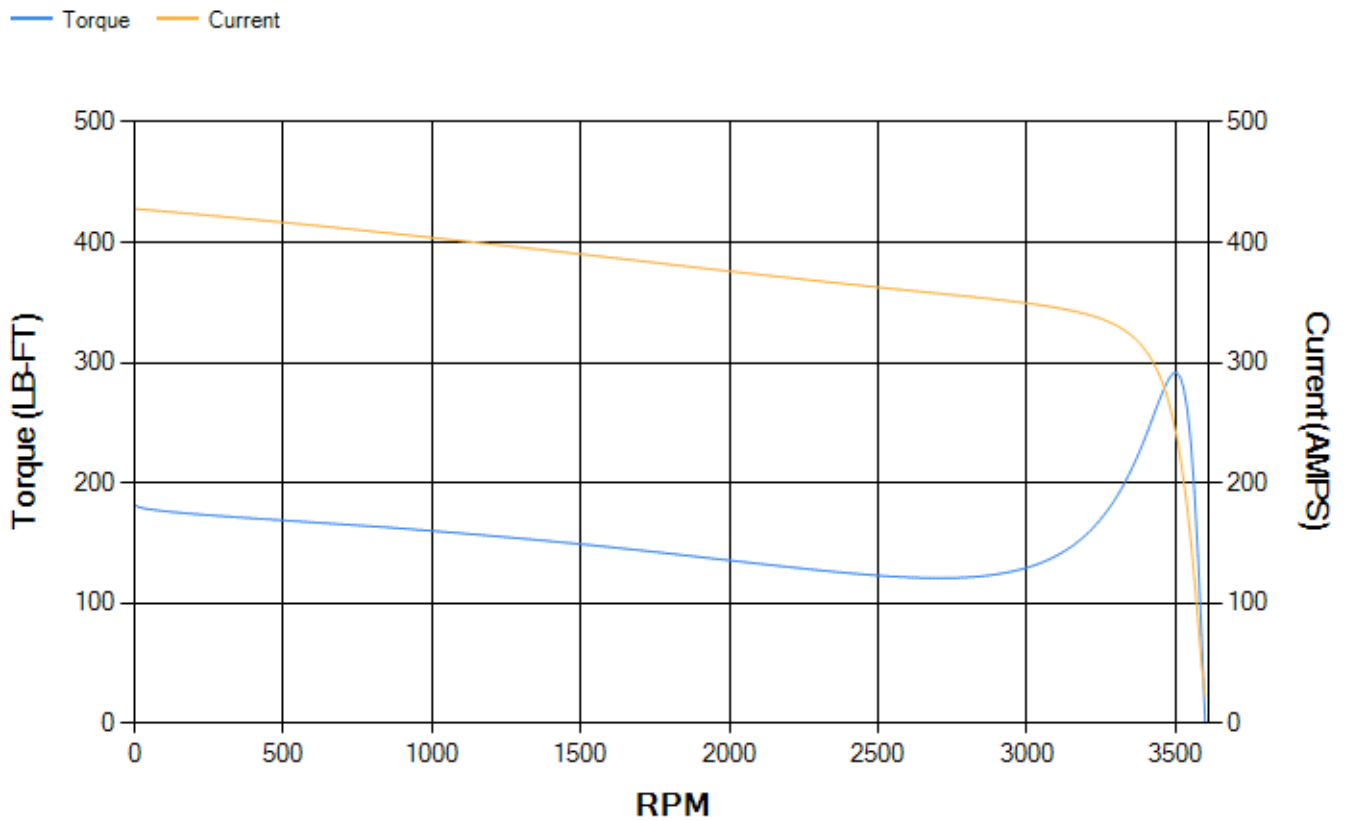
LOAD %	125.0	115.0	100.0	75.0	50.0	25.0	0.0
% EFF	94.39	94.61	95.07	95.05	94.58	91.8	0.00
% PF	87.95	87.7	86.89	83.76	75.78	54.45	4.59
AMPS	84.55	77.83	67.85	52.9	39.18	28.09	22.63

TORQ(FL)#FT	110.21	TORQ(LR)%FL	164.93	TORQ(BD)%FL	264.53
AMPS(LR)	428.01	PF AT START	0.33		

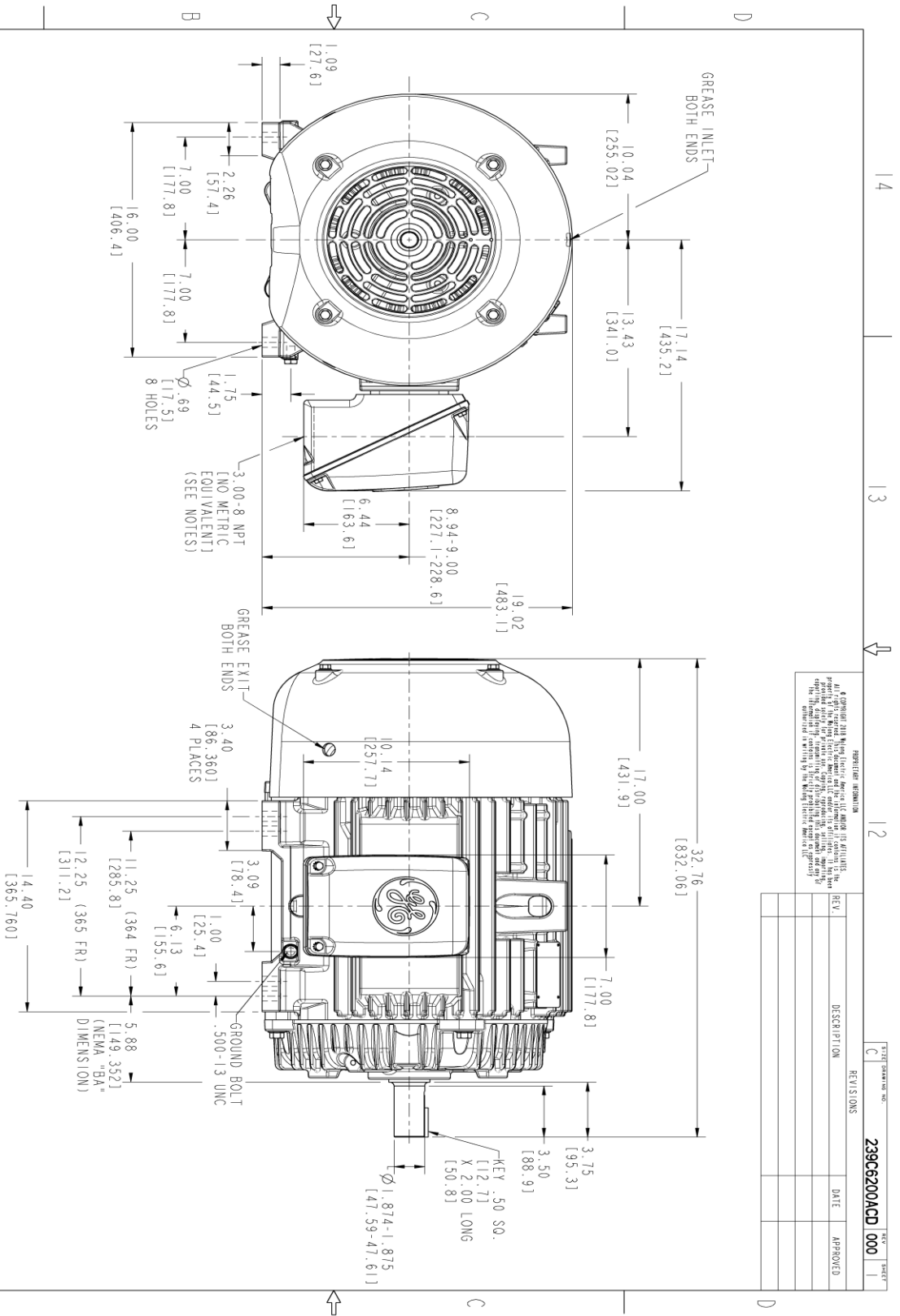
This motor is capable of two cold or one hot start with a maximum connected load inertia of 164 Lb-Ft Sq (6.9 Kg-meter Sq)at 100% voltage, where the load torque varies with the square of the speed. Acceleration time with maximum inertia and the above load type is 17 seconds. Safe stall time at 100% voltage is 41 seconds cold, 20 seconds hot. Rotor inertia is 8.98 Lb-Ft Sq (0.38 Kg-meter Sq).

Open Circuit A-C:	1.034	Short Circuit D-C:	0.022
Short Circuit A-C:	0.05	X/R Ratio:	8.467
Stator Slots:	48	Rotor Slots:	38

Speed Torque Current Curve (First Connection, First Speed)



Marks:



REGISTRATION INFORMATION
 © Copyright 2018 GE Industrial Motors. All rights reserved. This drawing is the property of GE Industrial Motors. It is to be used for the specific project and for the specific equipment only. It is not to be used for any other purpose without the written consent of GE Industrial Motors. The information contained herein is confidential and proprietary to GE Industrial Motors.

REV.	DESCRIPTION	DATE	APPROVED

SIGNATURES		DATE
MODEL	HALDAS	13/01/21
RETAIL	HALDAS	12/18/20
CHECKED	VILAY	12/18/20
DRAWN	HALDAS	12/18/20
W/E		
QUALITY		
ISSUED	HALDAS	12/18/20
SCALE: 0.240	REF. NO: 239C6200ACD	SHEET 1 OF 1

GE INDUSTRIAL MOTORS
 a WOLKONG company

OUTLINE
 364/365 TS TEFC XSD
 346 CU. IN. CONDUIT BOX

239C6200ACD

Marks:

Connection Diagram
GEM2034E-FIG7



End shield Assembly		
Part Description	DE Side Part#	ODE Side Part#
End Shield	115E4250AA1	115E4250LK1
Bearing	235A2516AC01	235A2516AC01
Slinger/Inproseal	149C4399G05	149C4399G05

Fan & Fan Cover Assembly	
Part Description	Part#
Fan	159C6700G02
Fan Cover	128D6810AA1

Conduit & Accessories Box Assembly	
Part Description	Part#
Conduit Box	149C4429AA2

Mechanical Accessories	
Part Description	Part#
Brake	
Tachometer	

