



GE INDUSTRIAL MOTORS
a **WOLONG** company

Product Technical Information

January 18, 2021

Data shown is for the current revision model #. Ensure your nameplate model # matches.

Model Number:	5KS364SAA114D10
Catalog Number:	M9847
Instruction Manual:	GEI-56128
Connection Diagram:	GEM2034E-FIG7
Outline Drawing:	239C6200ACD

Accessory Connection Diagrams

Bearing Thermocouple:	None	Heater:	None
RTD:	None	Thermistor:	None
Thermostat:	None	Winding Thermocouple:	None
Bearing RTD:	None		

Table of Contents

Specification	01
Performance Characteristics	02
Outline Drawing	03
Connection Drawing(s)	04
Spare parts	05

Marks:

MODEL NUMBER:	5KS364SAA114D10	Estimated Weight:	970 Lbs
Outline Drawing:	239C6200ACD	Time Rating:	CONT
Connection Diagram:	GEM2034E-FIG7	Enclosure:	TEFC
Instruction Book:	GEI-56128	Encl Construction:	841
Design Code:	36BD0117B	Ambient Max(°C):	40
Type:	KS	Alt Ambient Max(°C):	--
Frame:	364TS	Insulation Class:	H
Phases:	3	NEMA Design:	B
Poles:	2	Nominal Efficiency:	94.5 %
Output Power:	60HP 44.4KW	Guaranteed Efficiency:	94.1 %
RPM:	3575	3/4 Load Efficiency:	--
Voltage:	575	KVA Code:	G
Hertz:	60	Max KVAR:	19.3
Amps - FL:	56.3	Power Factor:	84.5
Service Factor:	1.15	Bearing - DE:	6314ZC3
Alt Service Factor:	--	Bearing - ODE:	6314ZC3

Enclosure is Totally Enclosed Fan-Cooled

Stamped Nameplate Notes:

IEEE-STD-841-2009

DE BRG 70BC03JP30, ODE BRG 70BC03JP30

STAMP NP249A5564P051 AS BELOW:

MODEL:5KS364SAA114D10 S/N: XXX

CSA CERTIFIED CSA09.2216219 FOR EX NA IIC 200 C GC

CL 1 ZONE2 AEX NA IIC 200C;CL 1 DIV2 GRP ABCD 200C

IN -40C <= AMB <= 40C, 1.0 SF ON SINE-WAVE PWR

SURF TEMP 215C AT 1.15SF ON SINE-WAVE PWR

OR 200C VT OR 230C CT OR --- CHP PWM CONTROL

ALTERNATE RATING FOR PWM CONTROL 1.0SF 40C AMB

VT 0 - 60 HZ, CT 3-60 HZ, CHP -- HZ.



Additional Information:

2P - TS EXTN
PAINTED FRAME ID & SHAFT,
FAN COVER INSIDE & ODE E/S OUTSIDE
C/BOX 346 CU IN - 3.00" NPT
OIL RESISTANT SLEEVING ON LEADS
.0015" TIR SHAFT RUNOUT
ROUTINE TEST REPORT AND 5 POINT VIBRATION TEST
REPORT INCLUDED IN C/B
GROUND PAD
F1 MOUNTING



Performance Characteristics

1st Winding 1st Connection

Design: 36BD0117B

Marks:

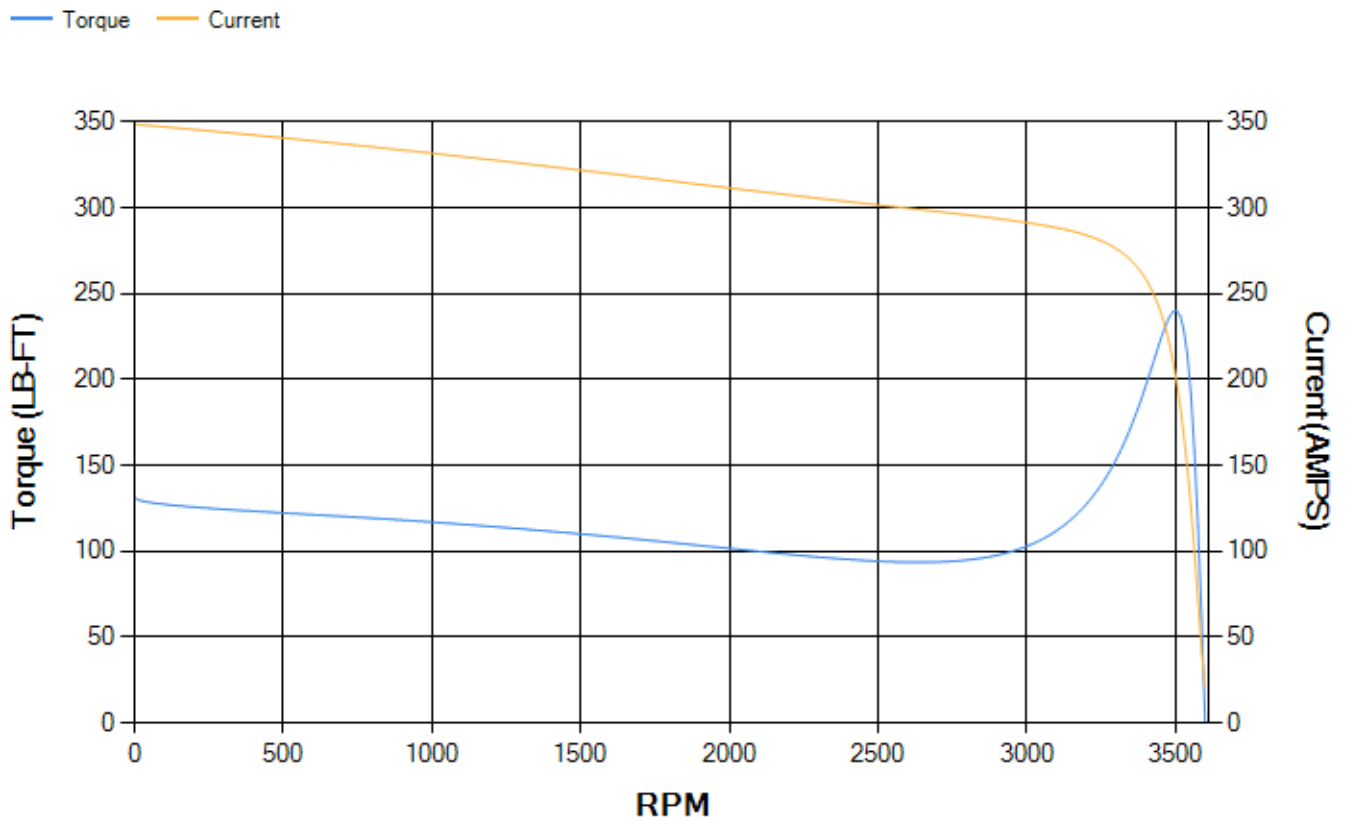
LOAD %	125.0	115.0	100.0	75.0	50.0	25.0	0.0
% EFF	94.07	94.26	94.66	94.49	93.75	90.26	0.00
% PF	86.29	85.8	84.58	80.45	70.96	48.76	4.74
AMPS	69.18	63.88	56	44.33	33.76	25.52	21.56

TORQ(FL)#FT	88.12	TORQ(LR)%FL	149.17	TORQ(BD)%FL	272.47
AMPS(LR)	348.77	PF AT START	0.31		

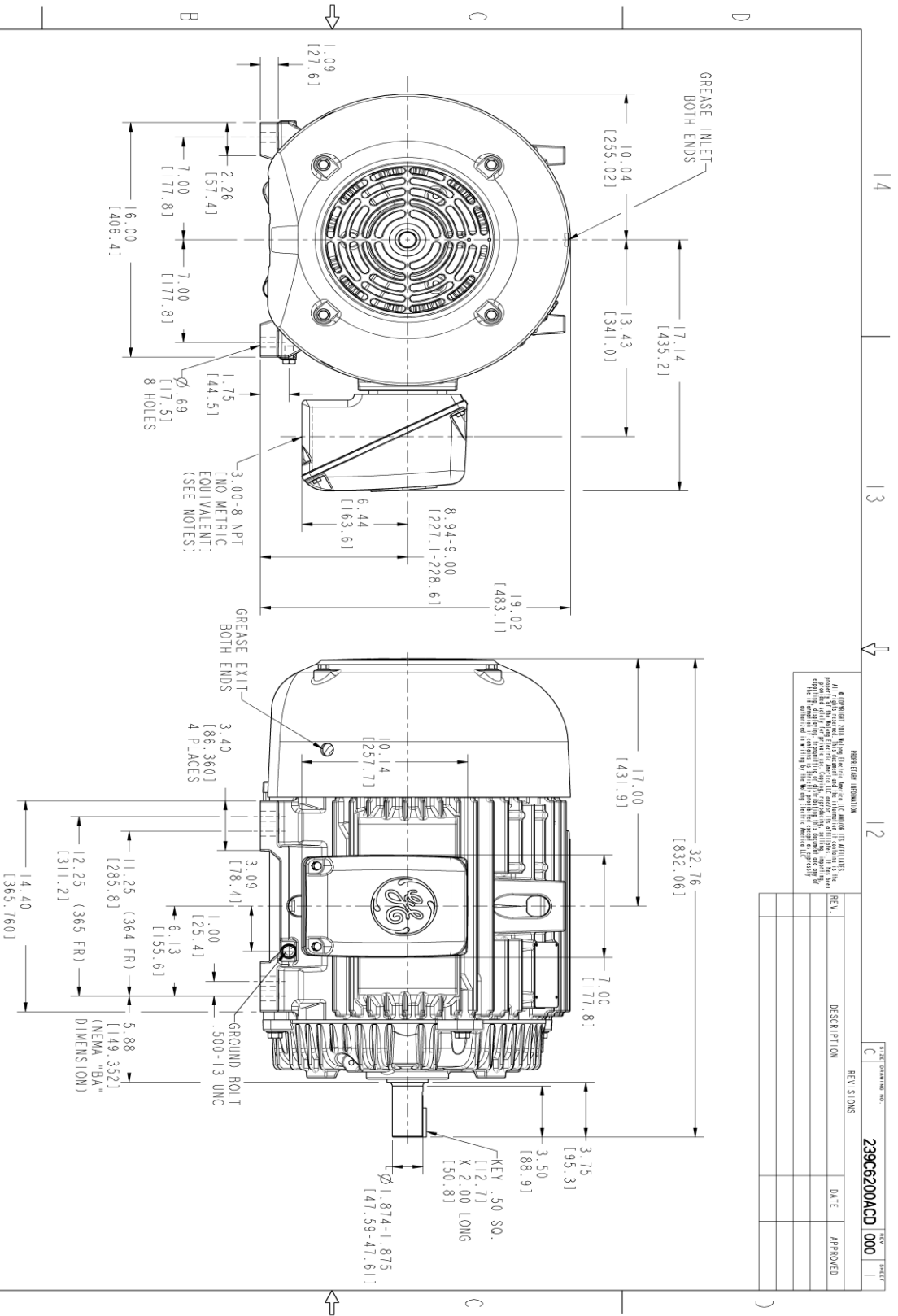
This motor is capable of two cold or one hot start with a maximum connected load inertia of 154 Lb-Ft Sq (6.48 Kg-meter Sq)at 100% voltage, where the load torque varies with the square of the speed. Acceleration time with maximum inertia and the above load type is 21 seconds. Safe stall time at 100% voltage is 47 seconds cold, 26 seconds hot. Rotor inertia is 6.96 Lb-Ft Sq (0.29 Kg-meter Sq).

Open Circuit A-C:	0.941	Short Circuit D-C:	0.022
Short Circuit A-C:	0.054	X/R Ratio:	8.293
Stator Slots:	48	Rotor Slots:	38

Speed Torque Current Curve (First Connection, First Speed)



Marks:



- NOTES:
1. CONDUIT BOX MAY BE PLACED WITH THE ENTRANCE DOWN, UP OR ON EITHER SIDE.
 2. F-I ASM AS SHOWN.
 3. ALL DIMENSION ARE IN INCHES. BRACKETED DIMENSIONS ARE METRIC (MILLIMETERS).

PROPRIETARY INFORMATION

© Copyright 2018 General Electric. All rights reserved. This document is the property of General Electric. It is not to be reproduced, stored in a retrieval system, or transmitted in any form or by any means, electronic, mechanical, photocopying, recording, or otherwise, without the prior written permission of General Electric. The information contained herein is confidential and its disclosure to unauthorized persons is prohibited.

REV.	DESCRIPTION	DATE	APPROVED

SIGNATURES		DATE	
MODEL	HALDAS	13/01/21	
RETAIL	HALDAS	12/18/20	
CHECKED	VILAY	12/18/20	
DRAWN	HALDAS	12/18/20	
DATE			
QUALITY			
ISSUED	HALDAS	12/18/20	
SCALE: 0.240			

GE INDUSTRIAL MOTORS
OUTLINE
 364/365 TS TEFC XSD
 346 CU. IN. CONDUIT BOX
239C6200ACD

REV. 1
 SHEET 1 OF 1

Marks:

Connection Diagram
GEM2034E-FIG7



End shield Assembly		
Part Description	DE Side Part#	ODE Side Part#
End Shield	115E4250AA1	115E4250LK1
Bearing	235A2516AC01	235A2516AC01
Slinger/Inproseal	149C4399G05	149C4399G05

Fan & Fan Cover Assembly	
Part Description	Part#
Fan	159C6700G02
Fan Cover	128D6810AA1

Conduit & Accessories Box Assembly	
Part Description	Part#
Conduit Box	149C4429AA2

Mechanical Accessories	
Part Description	Part#
Brake	
Tachometer	

