



GE INDUSTRIAL MOTORS
a **WOLONG** company

Product Technical Information

January 31, 2021

Data shown is for the current revision model #. Ensure your nameplate model # matches.

Model Number:	5KS405SAA304D10
Catalog Number:	M9868
Instruction Manual:	GEI-56128
Connection Diagram:	GEM2034E-FIG1
Outline Drawing:	239C6400ZJ

Accessory Connection Diagrams

Bearing Thermocouple:	None	Heater:	None
RTD:	None	Thermistor:	None
Thermostat:	None	Winding Thermocouple:	None
Bearing RTD:	None		

Table of Contents

Specification	01
Performance Characteristics	02
Outline Drawing	03
Connection Drawing(s)	04
Spare parts	05

Marks:

MODEL NUMBER: 5KS405SAA304D10
Outline Drawing: 239C6400ZJ
Connection Diagram: GEM2034E-FIG1
Instruction Book: GEI-56128
Design Code: 40BD3069B
Type: KS
Frame: 405T
Phases: 3
Poles: 6
Output Power: 75HP 55.5KW
RPM: 1190
Voltage: 575
Hertz: 60
Amps - FL: 73.8
Service Factor: 1.15
Alt Service Factor: --

Estimated Weight: 1430 Lbs
Time Rating: CONT
Enclosure: TEFC
Encl Construction: 841
Ambient Max(°C): 40
Alt Ambient Max(°C): --
Insulation Class: H
NEMA Design: B
Nominal Efficiency: 94.5 %
Guaranteed Efficiency: 94.1 %
3/4 Load Efficiency: --
KVA Code: G
Max KVAR: 29.0
Power Factor: 80.5
Bearing - DE: 6316ZC3
Bearing - ODE: 6316ZC3

Enclosure is Totally Enclosed Fan-Cooled

Stamped Nameplate Notes:

IEEE-STD-841-2009
 DE BRG 80BC03JP3, ODE BRG 80BC03JP3
 STAMP NP249A5564P051 AS BELOW:
 MODEL:5KS405SAA304D10 S/N: XXX
 CSA CERTIFIED CSA09.2216219 FOR EX NA IIC 200 C GC
 CL 1 ZONE2 AEX NA IIC 200C;CL 1 DIV2 GRP ABCD 200C
 IN -40C <= AMB <= 40C, 1.0 SF ON SINE-WAVE PWR
 SURF TEMP 200C AT 1.15SF ON SINE-WAVE PWR
 OR 200C VT OR 230C CT OR 200C CHP PWM CONTROL
 ALTERNATE RATING FOR PWM CONTROL 1.0SF 40C AMB
 VT 0 - 60 HZ, CT 7.5 - 60 HZ, CHP 60 - 90 HZ.



Additional Information:

6P - T EXTN
PAINTED FRAME ID & SHAFT,
FAN COVER INSIDE & ODE E/S OUTSIDE
C/BOX 700 CU IN - 3.00" NPT
OIL RESISTANT SLEEVING ON LEADS
.0015" TIR SHAFT RUNOUT
ROUTINE TEST REPORT AND 5 POINT VIBRATION TEST
REPORT INCLUDED IN C/B
GROUND PAD
F1 MOUNTING



Performance Characteristics

1st Winding 1st Connection

Design: 40BD3069B

Marks:

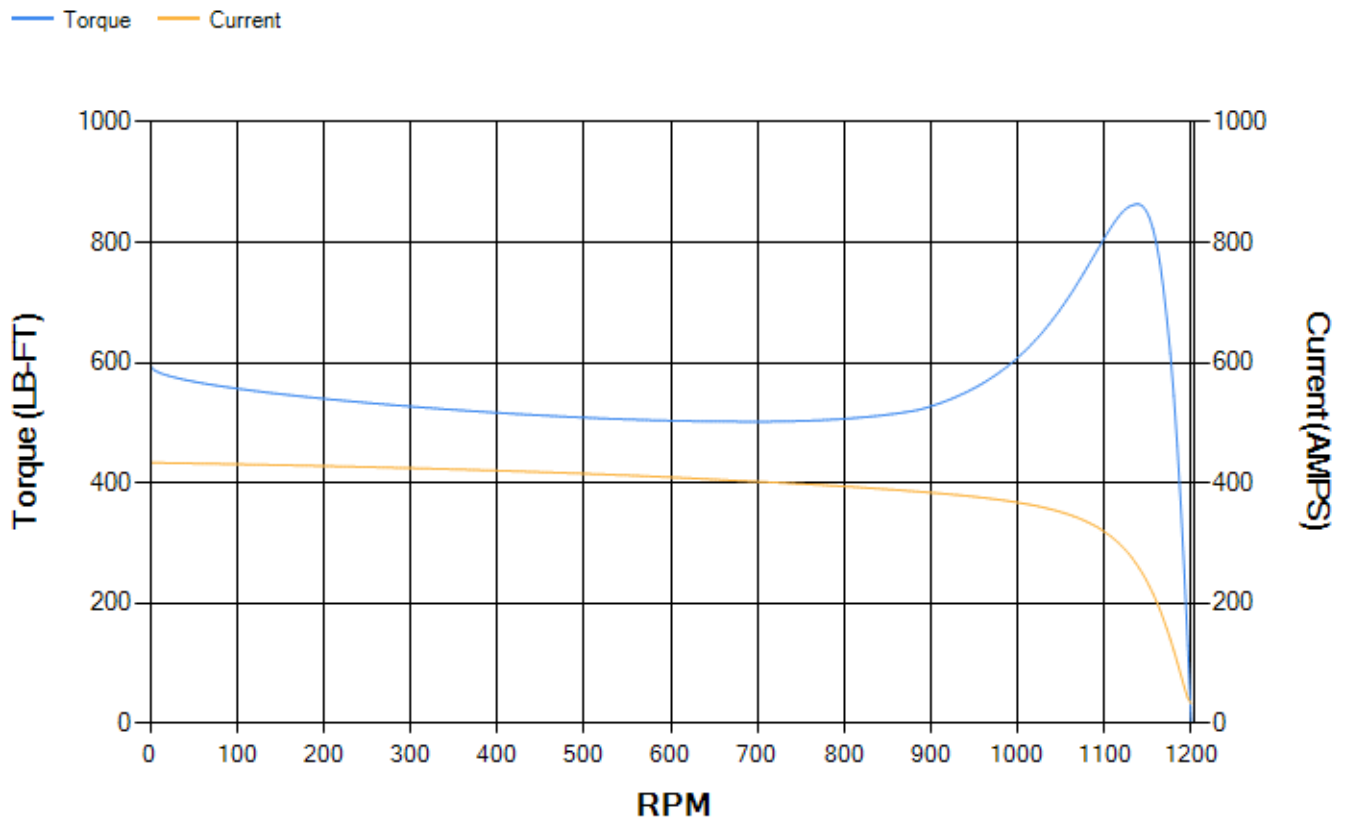
LOAD %	125.0	115.0	100.0	75.0	50.0	25.0	0.0
% EFF	93.78	94.05	94.57	94.63	94.21	91.37	0.00
% PF	82.65	81.96	80.32	75.14	64.22	41.72	3.31
AMPS	90.56	83.78	73.77	59.23	46.41	36.83	32.4

TORQ(FL)#FT	331.35	TORQ(LR)%FL	179.38	TORQ(BD)%FL	259.68
AMPS(LR)	433.36	PF AT START	0.35		

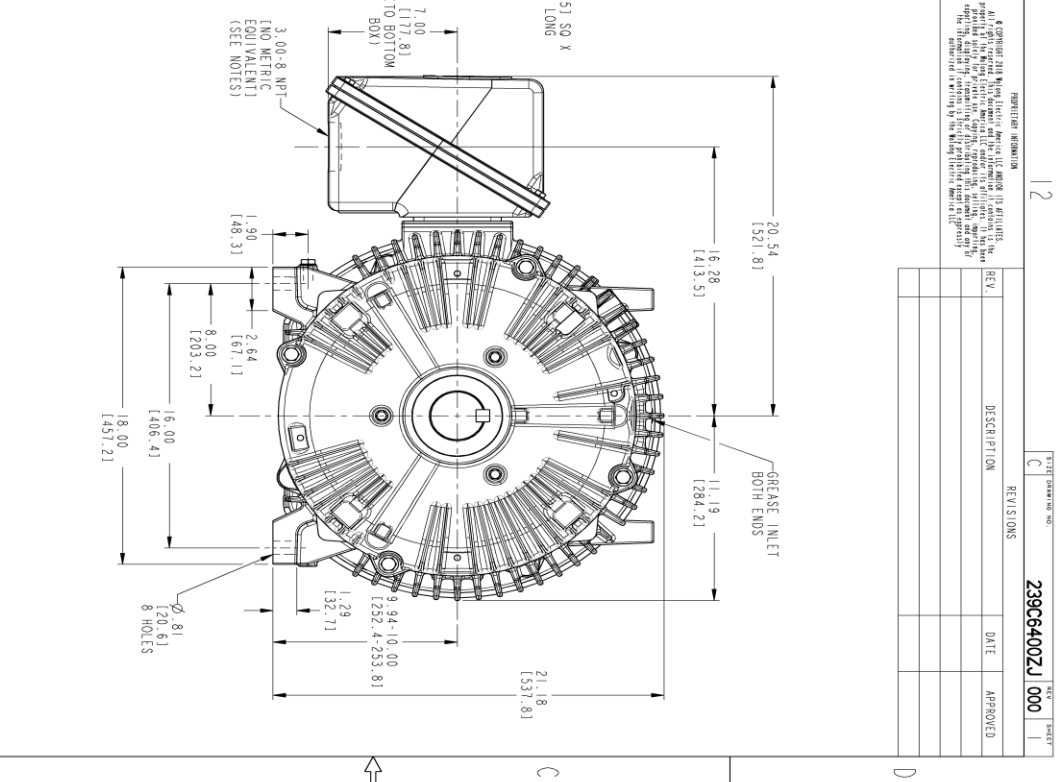
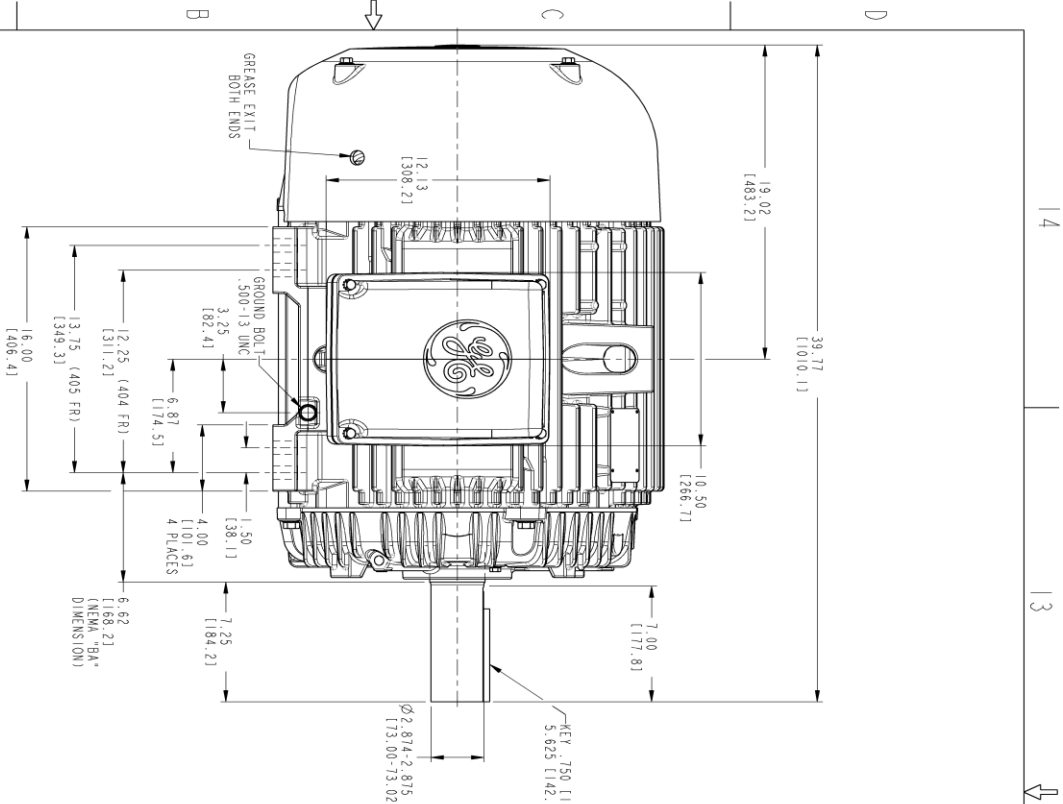
This motor is capable of two cold or one hot start with a maximum connected load inertia of 4912 Lb-Ft Sq (206.8 Kg-meter Sq)at 100% voltage, where the load torque varies with the square of the speed. Acceleration time with maximum inertia and the above load type is 43 seconds. Safe stall time at 100% voltage is 104 seconds cold, 56 seconds hot. Rotor inertia is 30.64 Lb-Ft Sq (1.29 Kg-meter Sq).

Open Circuit A-C:	0.582	Short Circuit D-C:	0.021
Short Circuit A-C:	0.037	X/R Ratio:	7.787
Stator Slots:	72	Rotor Slots:	58

Speed Torque Current Curve (First Connection, First Speed)



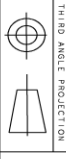
Marks:



PROHIBITION INFORMATION
 © COPYRIGHT 2018 GE Global Energy Services, Inc. All rights reserved. No part of this drawing may be reproduced, stored in a retrieval system, or transmitted in any form or by any means, electronic, mechanical, photocopying, recording, or by any information storage and retrieval system, without the prior written permission of GE Global Energy Services, Inc. The information contained herein is the property of GE Global Energy Services, Inc. and is confidential. It is to be used only for the purpose intended and is not to be distributed outside the organization.

REV.	DESCRIPTION	DATE	APPROVED

- NOTES:
1. CONDUIT BOX MAY BE PLACED WITH THE ENTRANCE DOWN, UP OR ON EITHER SIDE.
 2. F-1 ASSEMBLY AS SHOWN.
 3. ALL DIMENSIONS ARE IN INCHES. BRACKETED DIMENSIONS ARE METRIC (MILLIMETERS).



SIGNATURES	DATE
MODEL PRASMANA 04/01/21	
REVIEW PRASMANA 04/01/21	
CHECKED BISHU 04/01/21	
DRAWN PRASMANA 04/01/21	
DATE	
ISSUED PRASMANA 04/01/21	

GE INDUSTRIAL MOTORS
 a WOLSKONG company
OUTLINE
 404/405 T TEFC XSD
 700 CU IN CONDUIT BOX, GROUND PAD
 SCALE: 0.250 REF. No: 239C6400ZJ
239C6400ZJ
 SHEET 1 OF 1

Marks:

Connection Diagram
GEM2034E-FIG1



End shield Assembly		
Part Description	DE Side Part#	ODE Side Part#
End Shield	115E4304AA1	115E4304LL1
Bearing	235A2518AC01	235A2518AC01
Slinger/Inproseal	149C4399G06	149C4399G06

Fan & Fan Cover Assembly	
Part Description	Part#
Fan	159C7100G02
Fan Cover	128D6832AA1

Conduit & Accessories Box Assembly	
Part Description	Part#
Conduit Box	118D4408AD2

Mechanical Accessories	
Part Description	Part#
Brake	
Tachometer	

