



GE INDUSTRIAL MOTORS
a **WOLONG** company

Product Technical Information

April 1, 2021

Data shown is for the current revision model #. Ensure your nameplate model # matches.

Model Number:	5KS182SAA405D2
Catalog Number:	M9871
Instruction Manual:	GEI-56128
Connection Diagram:	GEM2034E-FIG3
Outline Drawing:	4002B5818PAP5933

Accessory Connection Diagrams

Bearing Thermocouple:	None	Heater:	None
RTD:	None	Thermistor:	None
Thermostat:	None	Winding Thermocouple:	None
Bearing RTD:	None		

Table of Contents

Specification	01
Performance Characteristics	02
Outline Drawing	03
Connection Drawing(s)	04
Spare parts	05

Marks:

MODEL NUMBER: 5KS182SAA405D2
Outline Drawing: 4002B5818PAP5933
Connection Diagram: GEM2034E-FIG3
Instruction Book: GEI-56128
Design Code: 18BD4017A
Type: KS
Frame: 182T
Phases: 3
Poles: 8
Output Power: 1HP 0.7KW
RPM: 875
Voltage: 230/460
Hertz: 60
Amps - FL: 5.0/2.5
Service Factor: 1.15
Alt Service Factor: --

Estimated Weight: 76 Lbs
Time Rating: CONT
Enclosure: TEFC
Encl Construction: 841
Ambient Max(°C): 40
Alt Ambient Max(°C): --
Insulation Class: H
NEMA Design: B
Nominal Efficiency: 75.5 %
Guaranteed Efficiency: 74.0 %
3/4 Load Efficiency: --
KVA Code: N
Max KVAR: 1.4
Power Factor: 49.0
Bearing - DE: 6206ZC3
Bearing - ODE: 6206ZC3

Enclosure is Totally Enclosed Fan-Cooled

Stamped Nameplate Notes:

DE BRG 30BC02JP30 ODE BRG 30BC02JP30
 EXCEPTION TO IEEE-STD-841-2009: DUAL VOLTAGE
 STAMP NP249A5564P051 AS BELOW:
 MODEL:5KS182SAA405D2 S/N: XXX
 CSA CERTIFIED CSA09.2216219 FOR EX NA IIC 200C GC
 CL 1 ZONE2 AEX NA IIC 200C;CL 1 DIV2 GRP ABCD 200C
 IN -40C <= AMB <= 40C, 1.0 SF ON SINE-WAVE PWR
 SURF TEMP 200C AT 1.15SF ON SINE-WAVE PWR
 OR 200C VT OR 200C CT OR 200C CHP PWM CONTROL
 ALTERNATE RATING FOR PWM CONTROL 1.0SF 40C AMB
 VT 0 - 60 HZ, CT 3-60 HZ, CHP 60-90 HZ.



Additional Information:

8P - T EXTN
STANDARD FLOOR MOUNT
C/BOX 55 CU IN-1.00 NPT
F1 CONDUIT BOX MOUNTING
PAINTED FRAME ID & SHAFT,
FAN COVER INSIDE & ODE E/S OUTSIDE
ROUTINE AND 5 POINT VIBRATION TESTS INCL IN C/BOX
GROUND SCREW ON FRAME
SHAFT RUNOUT LIMIT .001" TIR
OIL RESISTANT SLEEVING ON LEADS



Performance Characteristics

1st Winding 1st Connection

Design: 18BD4017A

Marks:

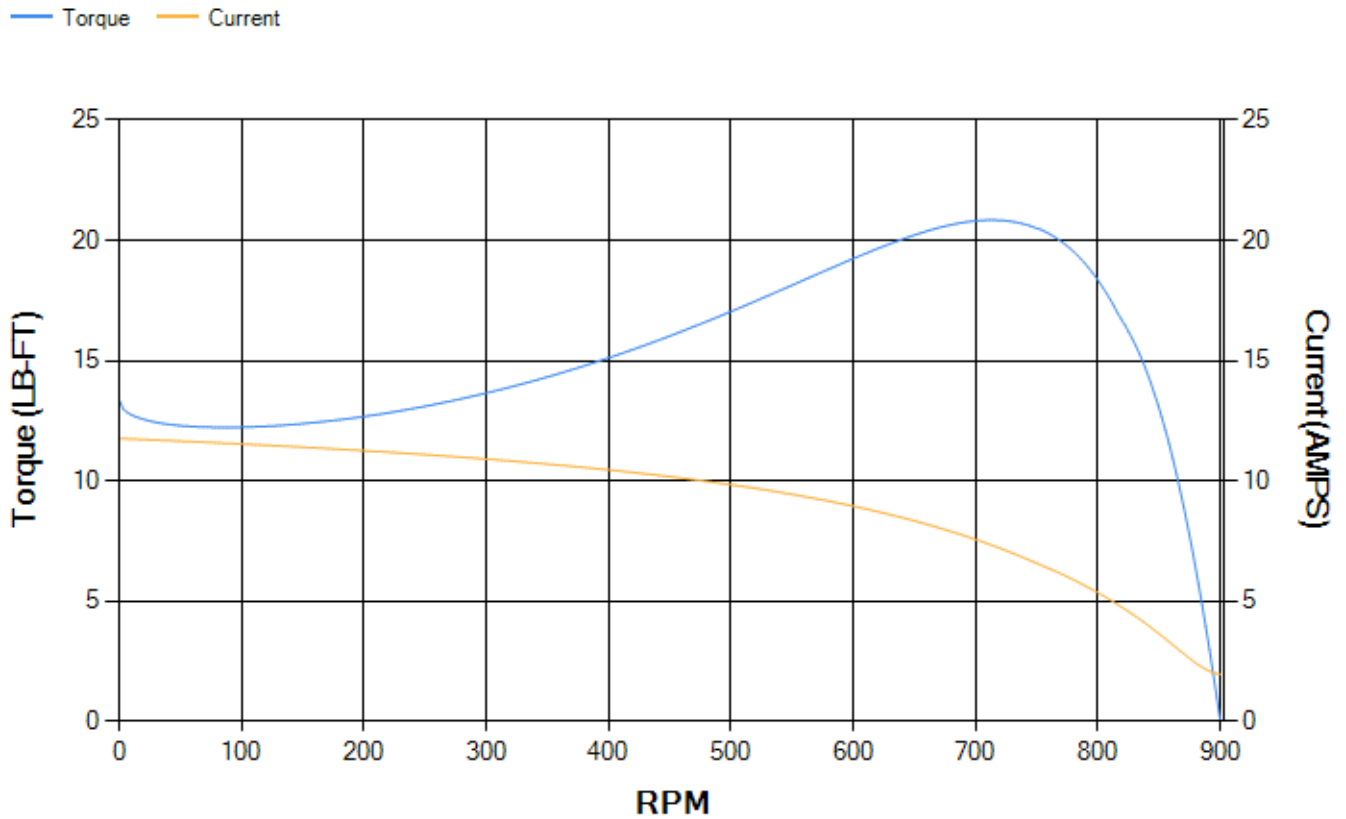
LOAD %	125.0	115.0	100.0	75.0	50.0	25.0	0.0
% EFF	77.18	77.2	77.03	74.77	69.41	55.43	0.00
% PF	55.81	53.28	50.87	40.73	31	20.16	8.36
AMPS	2.72	2.62	2.39	2.3	2.18	2.09	1.95

TORQ(FL)#FT	5.99	TORQ(LR)%FL	222.49	TORQ(BD)%FL	337.77
AMPS(LR)	11.76	PF AT START	0.51		

This motor is capable of two cold or one hot start with a maximum connected load inertia of 162 Lb-Ft Sq (6.82 Kg-meter Sq)at 100% voltage, where the load torque varies with the square of the speed. Acceleration time with maximum inertia and the above load type is 34 seconds. Safe stall time at 100% voltage is 76 seconds cold, 53 seconds hot. Rotor inertia is 0.23 Lb-Ft Sq (0.01 Kg-meter Sq).

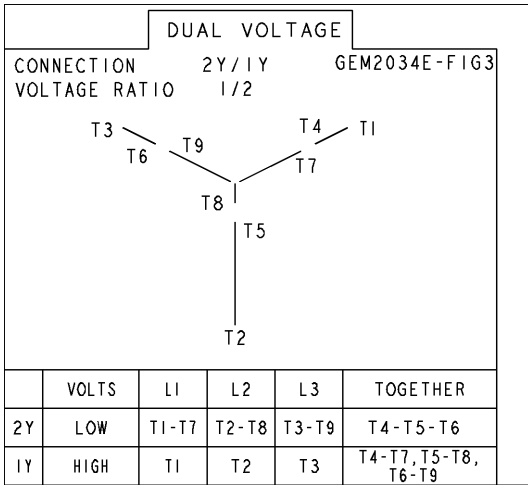
Open Circuit A-C:	0.081	Short Circuit D-C:	0.006
Short Circuit A-C:	0.012	X/R Ratio:	2.266
Stator Slots:	36	Rotor Slots:	48

Speed Torque Current Curve (First Connection, First Speed)



Marks:

Connection Diagram
GEM2034E-FIG3



End shield Assembly		
Part Description	DE Side Part#	ODE Side Part#
End Shield	4004D5281PB1	4004D5281SG1
Bearing	235A2502AM01	235A2502AM01
Slinger/Inproseal	149C4399G16	149C4399G16

Fan & Fan Cover Assembly	
Part Description	Part#
Fan	346L620AN-G01
Fan Cover	4003C5786PA1

Conduit & Accessories Box Assembly	
Part Description	Part#
Conduit Box	4002B5721PA-G01

Mechanical Accessories	
Part Description	Part#
Brake	
Tachometer	

