



GE INDUSTRIAL MOTORS
a **WOLONG** company

Product Technical Information

May 6, 2021

Data shown is for the current revision model #. Ensure your nameplate model # matches.

Model Number:	5KS213SAA405D2
Catalog Number:	M9875
Instruction Manual:	GEI-56128
Connection Diagram:	GEM2034E-FIG3
Outline Drawing:	4002B5821PAP5616

Accessory Connection Diagrams

Bearing Thermocouple:	None	Heater:	None
RTD:	None	Thermistor:	None
Thermostat:	None	Winding Thermocouple:	None
Bearing RTD:	None		

Table of Contents

Specification	01
Performance Characteristics	02
Outline Drawing	03
Connection Drawing(s)	04
Spare parts	05

Marks:

MODEL NUMBER: 5KS213SAA405D2
Outline Drawing: 4002B5821PAP5616
Connection Diagram: GEM2034E-FIG3
Instruction Book: GEI-56128
Design Code: 21BD4022AA
Type: KS
Frame: 213T
Phases: 3
Poles: 8
Output Power: 2HP 1.5KW
RPM: 880
Voltage: 230/460
Hertz: 60
Amps - FL: 7.4/3.7
Service Factor: 1.15
Alt Service Factor: --

Estimated Weight: 200 Lbs
Time Rating: CONT
Enclosure: TEFC
Encl Construction: 841
Ambient Max(°C): 40
Alt Ambient Max(°C): --
Insulation Class: H
NEMA Design: B
Nominal Efficiency: 86.5 %
Guaranteed Efficiency: 85.5 %
3/4 Load Efficiency: --
KVA Code: L
Max KVAR: 1.8
Power Factor: 58.5
Bearing - DE: 6208ZC3
Bearing - ODE: 6208ZC3

Enclosure is Totally Enclosed Fan-Cooled

Stamped Nameplate Notes:

DE BRG 40BC02JP30 ODE BRG 40BC02JP30
 EXCEPTION TO IEEE-STD-841-2009: DUAL VOLTAGE
 STAMP NP249A5564P051 AS BELOW:
 MODEL:5KS213SAA405D2 S/N: XXX
 CSA CERTIFIED CSA09.2216219 FOR EX NA IIC 200C GC
 CL 1 ZONE2 AEX NA IIC 200C;CL 1 DIV2 GRP ABCD 200C
 IN -40C <= AMB <= 40C, 1.0 SF ON SINE-WAVE PWR
 SURF TEMP 200C AT 1.15SF ON SINE-WAVE PWR
 OR 200C VT OR 200C CT OR 200C CHP PWM CONTROL
 ALTERNATE RATING FOR PWM CONTROL 1.0SF 40C AMB
 VT 0-60 HZ, CT 3-60 HZ, CHP 60-90 HZ.



Additional Information:

8P - T EXTN
STANDARD FLOOR MOUNT
C/BOX 55 CU IN-1.00 NPT
F1 CONDUIT BOX MOUNTING
PAINTED FRAME ID & SHAFT,
FAN COVER INSIDE & ODE E/S OUTSIDE
ROUTINE AND 5 POINT VIBRATION TESTS INCL IN C/BOX
GROUND SCREW ON FRAME
SHAFT RUNOUT LIMIT .001" TIR
OIL RESISTANT SLEEVING ON LEADS



Performance Characteristics

1st Winding 1st Connection

Design: 21BD402AA

Marks:

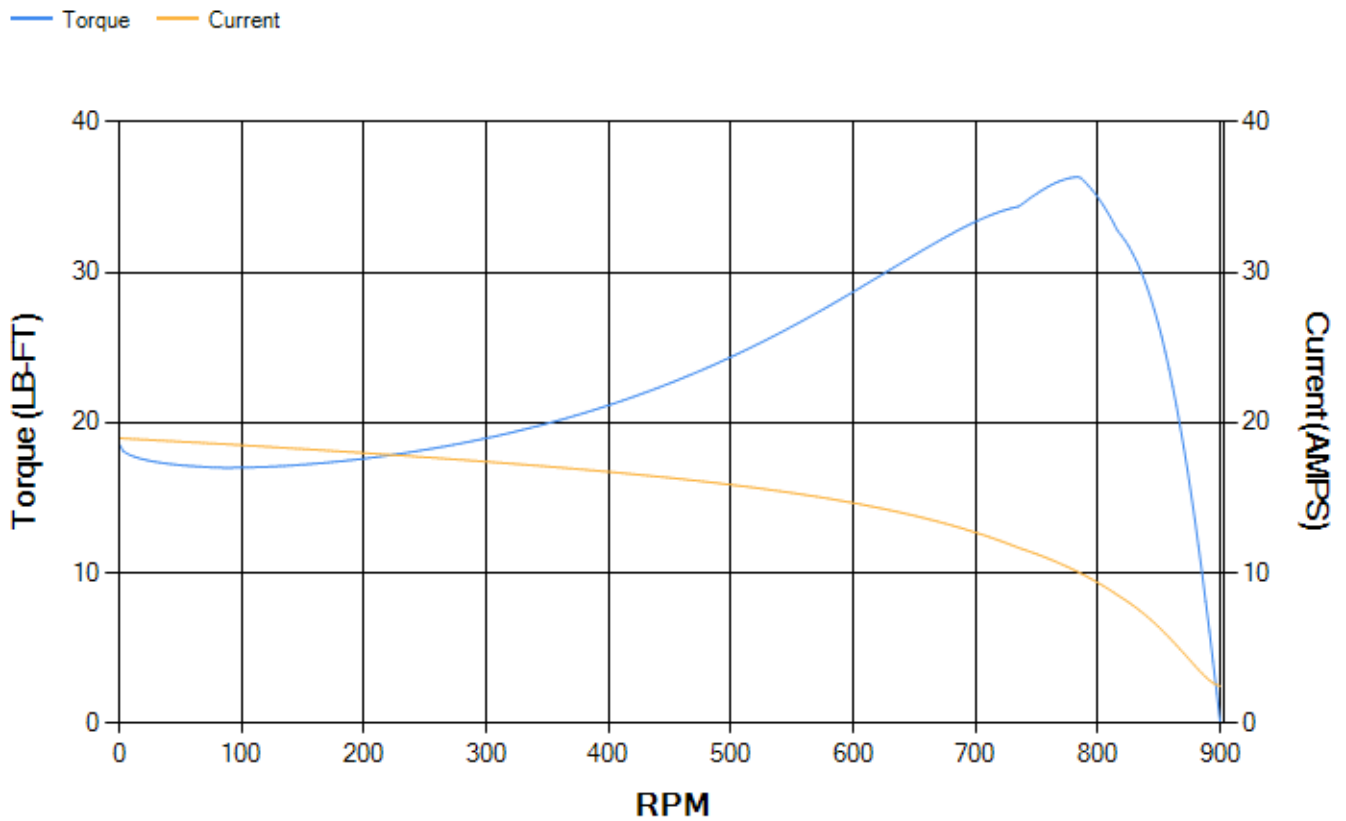
LOAD %	125.0	115.0	100.0	75.0	50.0	25.0	0.0
% EFF	86.68	87.02	87.49	86.92	84.64	76.34	0.00
% PF	64.04	62.21	58.74	50.66	39.12	23.85	5.51
AMPS	4.22	3.98	3.67	3.19	2.83	2.57	2.47

TORQ(FL)#FT	11.96	TORQ(LR)%FL	155.07	TORQ(BD)%FL	302.06
AMPS(LR)	18.96	PF AT START	0.31		

This motor is capable of two cold or one hot start with a maximum connected load inertia of 724 Lb-Ft Sq (30.48 Kg-meter Sq)at 100% voltage, where the load torque varies with the square of the speed. Acceleration time with maximum inertia and the above load type is 105 seconds. Safe stall time at 100% voltage is 234 seconds cold, 191 seconds hot. Rotor inertia is 0.82 Lb-Ft Sq (0.03 Kg-meter Sq).

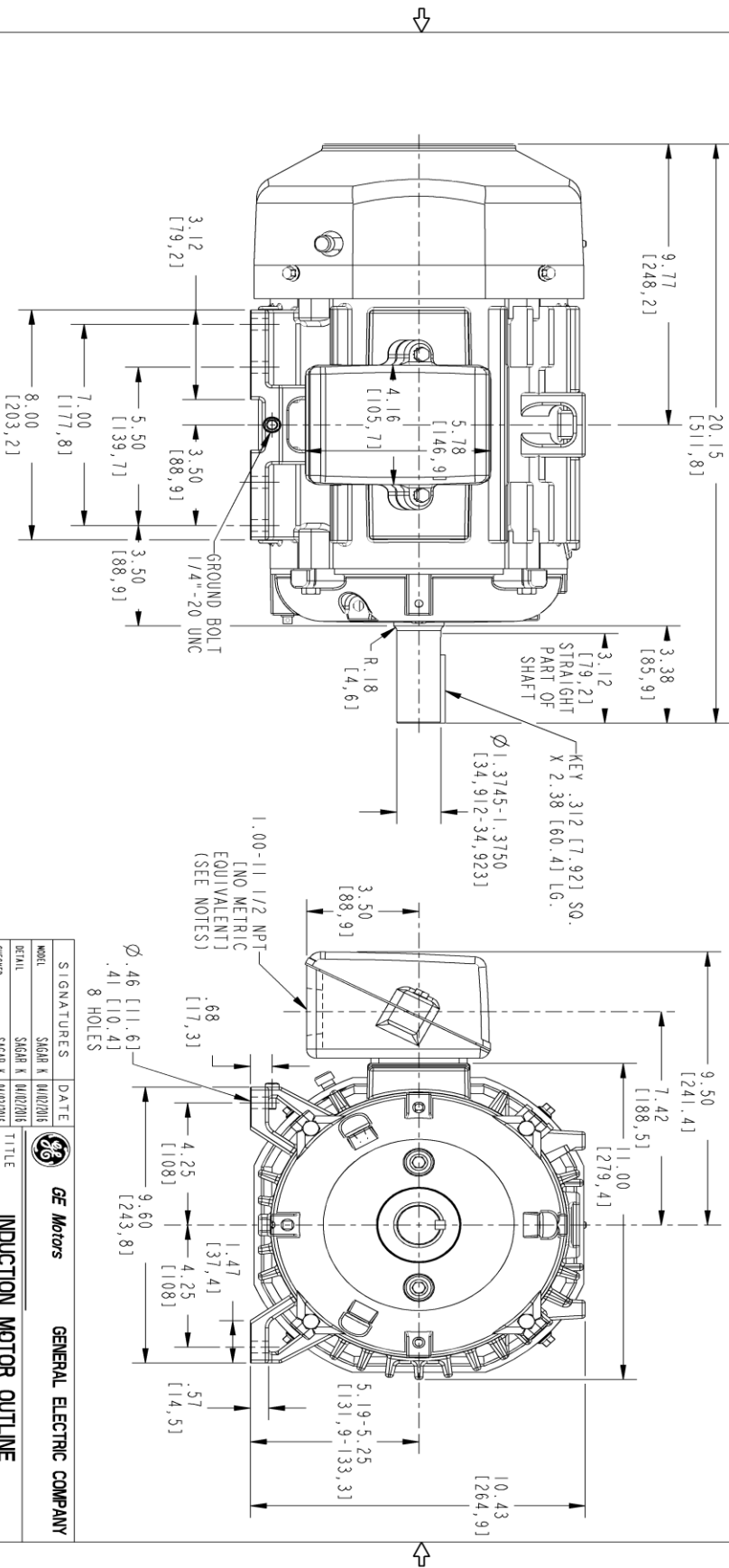
Open Circuit A-C:	0.132	Short Circuit D-C:	0.015
Short Circuit A-C:	0.018	X/R Ratio:	5.485
Stator Slots:	36	Rotor Slots:	48

Speed Torque Current Curve (First Connection, First Speed)



Marks:

NOTE 1 : CONDUIT BOX MAY BE ASSEMBLED WITH ENTRANCE UP, DOWN OR TO EITHER SIDE.
 NOTE 2 : F1 ASSEMBLY AS SHOWN. F2 ASSEMBLY CONDUIT BOX ON OPPOSITE SIDE FROM SHOWN LOCATION.
 NOTE 3 : ALL DIMENSIONS ARE IN INCHES AND BRACKETED DIMENSIONS ARE IN METRIC (MILLIMETERS).



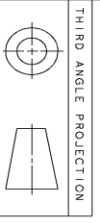
SIZE DRAWING NO. B

4002B5821PAP5616 0

REV SHEET 1

REV.	DESCRIPTION	DATE	APPROVED

REVISIONS



SIGNATURES		DATE	
DESIGN	SIGAR K [40022016]	DATE	[40022016]
CHECKED	SIGAR K [40022016]	DATE	[40022016]
ENG	-	DATE	-
ISSUED	SIGAR K [40022016]	DATE	[40022016]
SIZE	B	SCALE	0.300
REV	0	REF. NO.	4002B5821PAP5311

GE Motors GENERAL ELECTRIC COMPANY
INDUCTION MOTOR OUTLINE
 STANDARD CONSTRUCTION WITH GROUND PAD
 FR213/215 T TFC
4002B5821PAP5616

SHEET 1 OF 1

Marks:

Connection Diagram
GEM2034E-FIG3



End shield Assembly		
Part Description	DE Side Part#	ODE Side Part#
End Shield	4004D5282PB1	4004D5282SJ1
Bearing	235A2503AE01	235A2503AE01
Slinger/Inproseal	149C4399G01	149C4399G01

Fan & Fan Cover Assembly	
Part Description	Part#
Fan	159C6700G01
Fan Cover	4003C5787PA1

Conduit & Accessories Box Assembly	
Part Description	Part#
Conduit Box	4002B5721PA-G01

Mechanical Accessories	
Part Description	Part#
Brake	
Tachometer	

