



GE INDUSTRIAL MOTORS
a **WOLONG** company

Product Technical Information

April 8, 2021

Data shown is for the current revision model #. Ensure your nameplate model # matches.

Model Number:	5KS213SAA200D2
Catalog Number:	M9891
Instruction Manual:	GEI-56128
Connection Diagram:	GEM2034E-FIG7
Outline Drawing:	4002B5821PBP5820

Accessory Connection Diagrams

Bearing Thermocouple:	None	Heater:	None
RTD:	None	Thermistor:	None
Thermostat:	None	Winding Thermocouple:	None
Bearing RTD:	None		

Table of Contents

Specification	01
Performance Characteristics	02
Outline Drawing	03
Connection Drawing(s)	04
Spare parts	05

Marks:

MODEL NUMBER:	5KS213SAA200D2	Estimated Weight:	200 Lbs
Outline Drawing:	4002B5821PBP5820	Time Rating:	CONT
Connection Diagram:	GEM2034E-FIG7	Enclosure:	TEFC
Instruction Book:	GEI-56128	Encl Construction:	841
Design Code:	21BD1152A	Ambient Max(°C):	40
Type:	KS	Alt Ambient Max(°C):	--
Frame:	213TC	Insulation Class:	H
Phases:	3	NEMA Design:	B
Poles:	4	Nominal Efficiency:	91.7 %
Output Power:	7.5HP 5.6KW	Guaranteed Efficiency:	91.0 %
RPM:	1770	3/4 Load Efficiency:	--
Voltage:	460	KVA Code:	H
Hertz:	60	Max KVAR:	2.3
Amps - FL:	9.2	Power Factor:	83.5
Service Factor:	1.15	Bearing - DE:	6309ZC3
Alt Service Factor:	--	Bearing - ODE:	6208ZC3

Enclosure is Totally Enclosed Fan-Cooled

Stamped Nameplate Notes:

IEEE-STD-841-2009

DE BRG 45BC03JP30 ODE BRG 40BC02JP30

STAMP NP249A5564P051 AS BELOW:

MODEL:5KS213SAA200D2 S/N: XXX

CSA CERTIFIED CSA09.2216219 FOR EX NA IIC 200C GC

CL 1 ZONE2 AEX NA IIC 200C;CL 1 DIV2 GRP ABCD 200C

IN -40C <= AMB <= 40C, 1.0 SF ON SINE-WAVE PWR

SURF TEMP 200C AT 1.15SF ON SINE-WAVE PWR

OR 200C VT OR 200C CT OR 200C CHP PWM CONTROL

ALTERNATE RATING FOR PWM CONTROL 1.0SF 40C AMB

VT 0 - 60 HZ, CT 3 - 60 HZ, CHP 60 - 90 HZ.



Additional Information:

4P - T EXTN
STANDARD FLOOR MOUNT
C/BOX 55 CU IN-1.00 NPT
F1 CONDUIT BOX MOUNTING
"C" FACE AT DE ENDSHIELD
PAINTED FRAME ID & SHAFT,
FAN COVER INSIDE & ODE E/S OUTSIDE
ROUTINE AND 5 POINT VIBRATION TESTS INCL IN C/BOX
GROUND SCREW ON FRAME
ROTATE D.E. E/SHIELD 90 DEG. PER OUTLINE
SHAFT RUNOUT LIMIT .001" TIR
OIL RESISTANT SLEEVING ON LEADS



Performance Characteristics

1st Winding 1st Connection

Design: 21BD1152A

Marks:

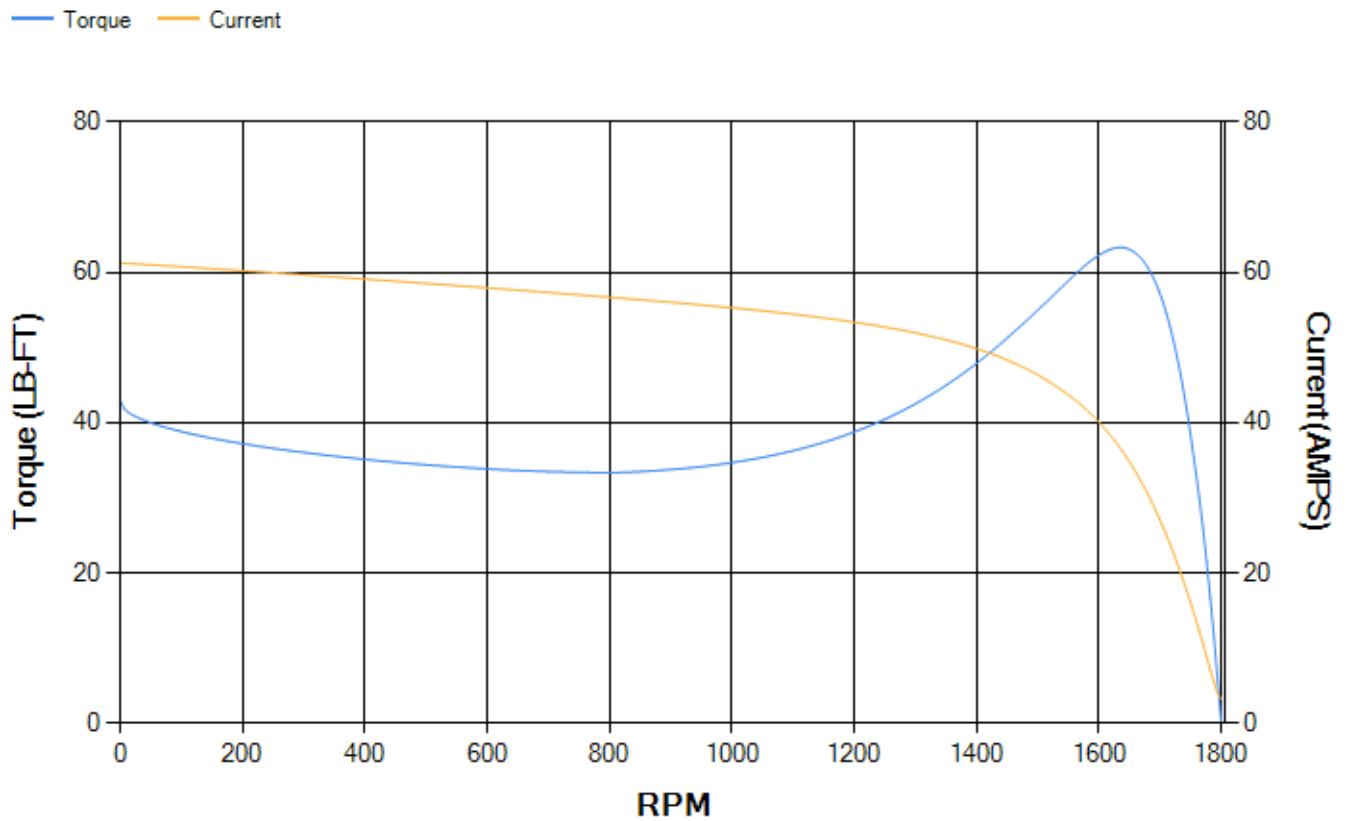
LOAD %	125.0	115.0	100.0	75.0	50.0	25.0	0.0
% EFF	90.56	91.05	91.84	92.16	91.68	87.87	0.00
% PF	84.59	84.42	83.64	80.28	71.83	50.93	6.5
AMPS	11.45	10.5	9.14	7.12	5.33	3.92	3.22

TORQ(FL)#FT	22.25	TORQ(LR)%FL	192.5	TORQ(BD)%FL	282.87
AMPS(LR)	61.27	PF AT START	0.4		

This motor is capable of two cold or one hot start with a maximum connected load inertia of 306 Lb-Ft Sq (12.88 Kg-meter Sq)at 100% voltage, where the load torque varies with the square of the speed. Acceleration time with maximum inertia and the above load type is 54 seconds. Safe stall time at 100% voltage is 120 seconds cold, 89 seconds hot. Rotor inertia is 0.99 Lb-Ft Sq (0.04 Kg-meter Sq).

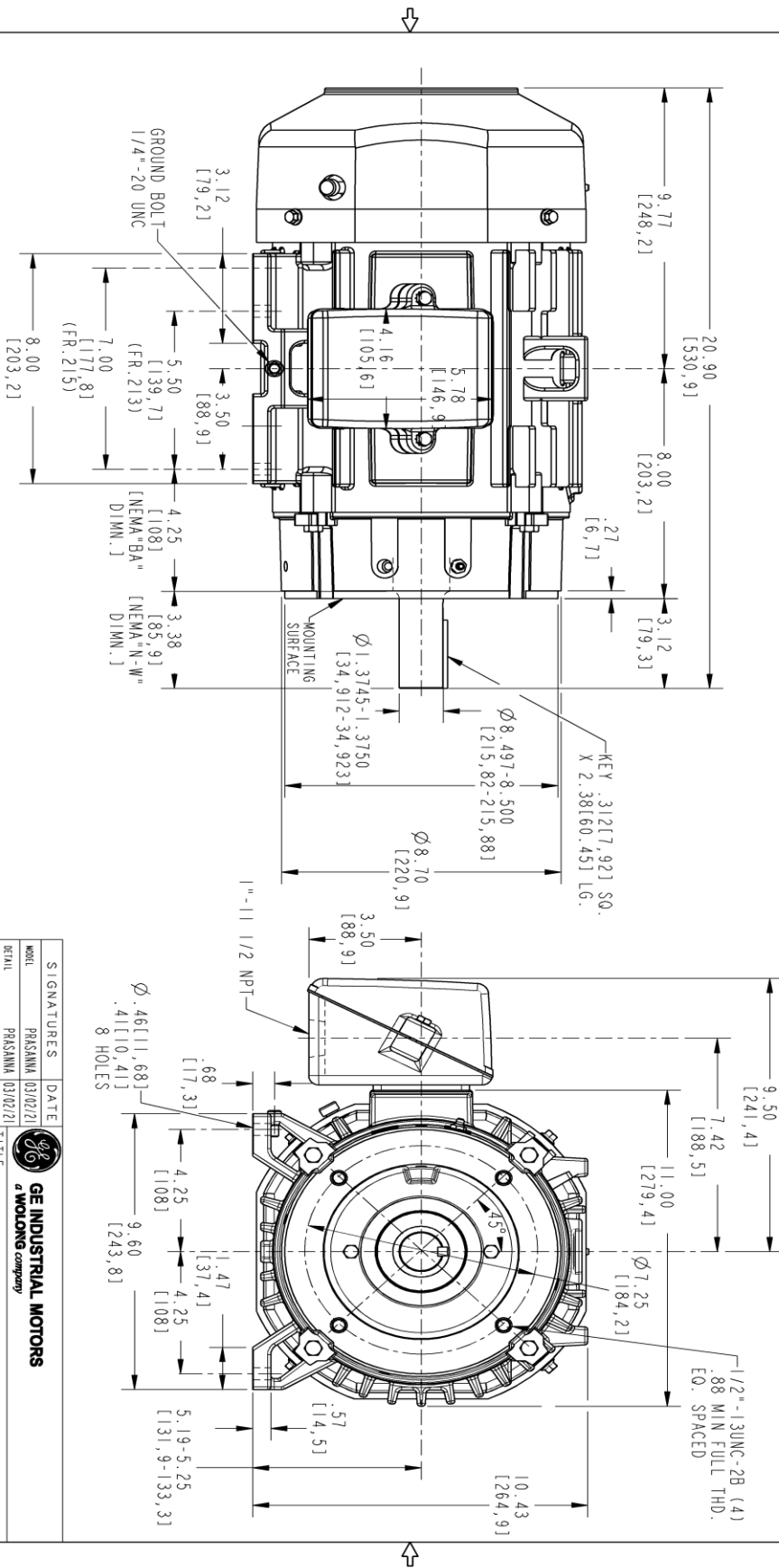
Open Circuit A-C:	0.448	Short Circuit D-C:	0.013
Short Circuit A-C:	0.021	X/R Ratio:	4.936
Stator Slots:	36	Rotor Slots:	28

Speed Torque Current Curve (First Connection, First Speed)



Marks:

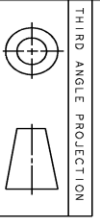
- NOTE 1: CONDUIT BOX MAY BE ASSEMBLED WITH ENTRANCE UP, DOWN OR TO EITHER SIDE.
- NOTE 2: F1 ASSEMBLY AS SHOWN.
- NOTE 3: MOUNTING SURFACES WILL BE SQUARE AND CONCENTRIC WITH SHAFT WITHIN .004 T.I.R.
- NOTE 4: D.E. ENDSHIELD ROTATED 90° COUNTER CLOCKWISE.
- NOTE 5: ALL DIMENSIONS ARE IN INCHES, BRACKETED DIMENSIONS ARE IN METRIC (MILLIMETERS)



PROPRIETARY INFORMATION
 © COPYRIGHT 2018 Wolog Electric America LLC AND/OR ITS AFFILIATES.
 All rights reserved. This document and the information it contains is the property of Wolog Electric America LLC and/or its affiliates. It has been provided solely for the use of the customer for whom it was prepared. No other use, reproduction, or transmission is permitted without the express written consent of Wolog Electric America LLC. Wolog Electric America LLC is not responsible for any errors or omissions in this document and any of its specifications. Wolog Electric America LLC is not responsible for any damage or injury resulting from the use of this document. Wolog Electric America LLC is not responsible for any damage or injury resulting from the use of this document. Wolog Electric America LLC is not responsible for any damage or injury resulting from the use of this document.

REV.	DESCRIPTION	DATE	APPROVED

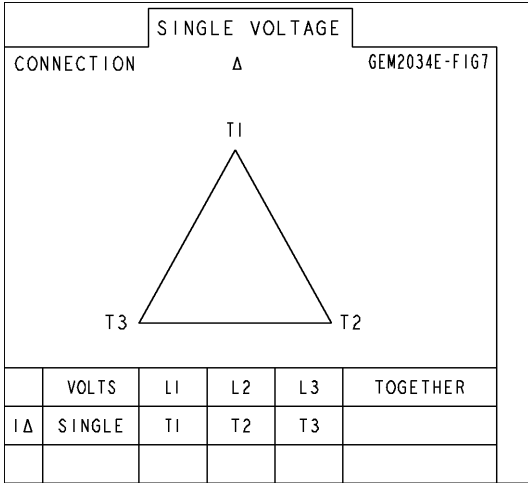
SIZE: DRAWING NO.	B	REV	
4002B5821PBP5820	000	SHEET	1
REVISIONS			



SIGNATURES	DATE	<p>GE INDUSTRIAL MOTORS a Wolog company</p>
MODEL	PRASMANA 03/02/21	
DETAIL	PRASMANA 03/02/21	
CHECKED	RAGHU 03/02/21	
ENGR	PRASMANA 03/02/21	
QUALITY		TITLE INDUCTION MOTOR OUTLINE XSD ULTRA, "C" FACE AT DE (85° RABBIT) FR. 23TC/25 TC TERC. GROUND PAD
ISSUED	PRASMANA 03/02/21	SCALE: 0.300 REF. No.: 4002B5821PBP5311
SOLID MODEL: 4002B5821PBP5820		SIZE: DRAWING 4002B5821PBP5820
		REV 000

Marks:

Connection Diagram
GEM2034E-FIG7



End shield Assembly		
Part Description	DE Side Part#	ODE Side Part#
End Shield	128D6006YB1	4004D5282SJ1
Bearing	235A2507EB01	235A2503AE01
Slinger/Inproseal	149C4399G02	149C4399G01

Fan & Fan Cover Assembly	
Part Description	Part#
Fan	159C6700G01
Fan Cover	4003C5787PA1

Conduit & Accessories Box Assembly	
Part Description	Part#
Conduit Box	4002B5721PA-G01

Mechanical Accessories	
Part Description	Part#
Brake	
Tachometer	

