



**GE INDUSTRIAL MOTORS**  
a **WOLONG** company

# Product Technical Information

April 1, 2021

Data shown is for the current revision model #. Ensure your nameplate model # matches.

<b>Model Number:</b>	<b>5KS286SAA100D3</b>
<b>Catalog Number:</b>	<b>M9904</b>
<b>Instruction Manual:</b>	GEI-56128
<b>Connection Diagram:</b>	GEM2034E-FIG7
<b>Outline Drawing:</b>	4002B5828PBP5845

## Accessory Connection Diagrams

<b>Bearing Thermocouple:</b>	None	<b>Heater:</b>	None
<b>RTD:</b>	None	<b>Thermistor:</b>	None
<b>Thermostat:</b>	None	<b>Winding Thermocouple:</b>	None
<b>Bearing RTD:</b>	None		

## Table of Contents

Specification	01
Performance Characteristics	02
Outline Drawing	03
Connection Drawing(s)	04
Spare parts	05

Marks:

<b>MODEL NUMBER:</b>	<b>5KS286SAA100D3</b>	<b>Estimated Weight:</b>	510 Lbs
<b>Outline Drawing:</b>	4002B5828PBP5845	<b>Time Rating:</b>	CONT
<b>Connection Diagram:</b>	GEM2034E-FIG7	<b>Enclosure:</b>	TEFC
<b>Instruction Book:</b>	GEI-56128	<b>Encl Construction:</b>	841
<b>Design Code:</b>	28BD0153A	<b>Ambient Max(°C):</b>	40
<b>Type:</b>	KS	<b>Alt Ambient Max(°C):</b>	--
<b>Frame:</b>	286TSC	<b>Insulation Class:</b>	H
<b>Phases:</b>	3	<b>NEMA Design:</b>	B
<b>Poles:</b>	2	<b>Nominal Efficiency:</b>	92.4 %
<b>Output Power:</b>	30HP 22.2KW	<b>Guaranteed Efficiency:</b>	91.7 %
<b>RPM:</b>	3545	<b>3/4 Load Efficiency:</b>	--
<b>Voltage:</b>	460	<b>KVA Code:</b>	G
<b>Hertz:</b>	60	<b>Max KVAR:</b>	4.2
<b>Amps - FL:</b>	32.7	<b>Power Factor:</b>	93.0
<b>Service Factor:</b>	1.15	<b>Bearing - DE:</b>	6310ZC3
<b>Alt Service Factor:</b>	--	<b>Bearing - ODE:</b>	6310ZC3

Enclosure is Totally Enclosed Fan-Cooled

---

Stamped Nameplate Notes:

IEEE-STD-841-2009

DE BRG 50BC03JP30 ODE BRG 50BC03JP30

STAMP NP249A5564P051 AS BELOW:

MODEL:5KS286SAA100D3 S/N: XXX

CSA CERTIFIED CSA09.2216219 FOR EX NA IIC 200C GC

CL 1 ZONE2 AEX NA IIC 200C;CL 1 DIV2 GRP ABCD 200C

IN -40C <= AMB <= 40C, 1.0 SF ON SINE-WAVE PWR

SURF TEMP 260C AT 1.15SF ON SINE-WAVE PWR

OR 200C VT OR 215C CT OR 215 CHP PWM CONTROL

ALTERNATE RATING FOR PWM CONTROL 1.0SF 40C AMB

VT 0 - 60 HZ, CT 15-60 HZ, CHP 60-90 HZ.



**Additional Information:**

2P - TS EXTN  
STANDARD FLOOR MOUNT  
C/BOX 137 CU IN-1.50 NPT  
F1 CONDUIT BOX MOUNTING  
"C" FACE AT DE ENDSHIELD  
PAINTED FRAME ID & SHAFT,  
FAN COVER INSIDE & ODE E/S OUTSIDE  
ROUTINE AND 5 POINT VIBRATION TESTS INCL IN C/BOX  
INPRO SEAL DE ONLY  
GROUND SCREW ON FRAME  
ROTATE D.E. E/SHIELD 90 DEG. PER OUTLINE  
SHAFT RUNOUT LIMIT .001" TIR  
OIL RESISTANT SLEEVING ON LEADS



**Performance Characteristics**

1st Winding 1st Connection

**Design: 28BD0153A**

**Marks:**

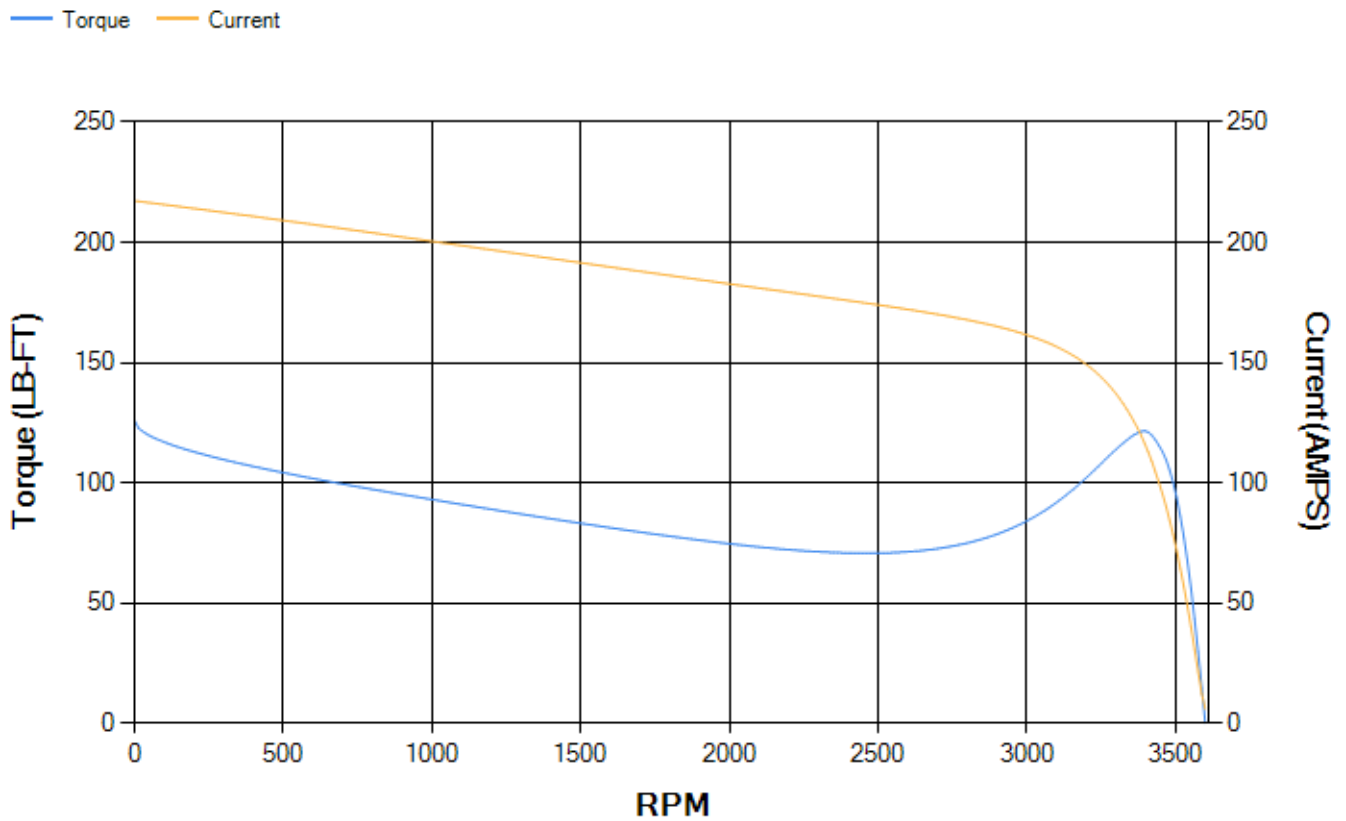
LOAD %	125.0	115.0	100.0	75.0	50.0	25.0	0.0
% EFF	91.42	91.93	92.8	93.37	93.42	91.04	0.00
% PF	92.39	92.67	92.86	92.31	89.4	76.93	9.66
AMPS	41.56	37.9	32.58	24.43	16.81	10.02	5.91

<b>TORQ(FL)#FT</b>	44.4	<b>TORQ(LR)%FL</b>	283.3	<b>TORQ(BD)%FL</b>	272.73
<b>AMPS(LR)</b>	217.28	<b>PF AT START</b>	0.43		

This motor is capable of two cold or one hot start with a maximum connected load inertia of 111 Lb-Ft Sq (4.67 Kg-meter Sq)at 100% voltage, where the load torque varies with the square of the speed. Acceleration time with maximum inertia and the above load type is 18 seconds. Safe stall time at 100% voltage is 38 seconds cold, 21 seconds hot. Rotor inertia is 3.21 Lb-Ft Sq (0.14 Kg-meter Sq).

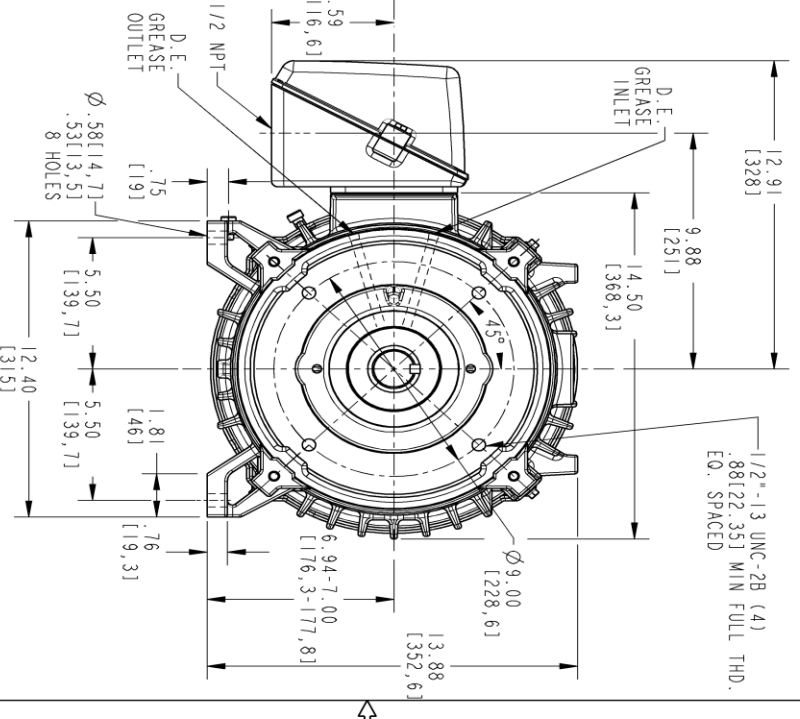
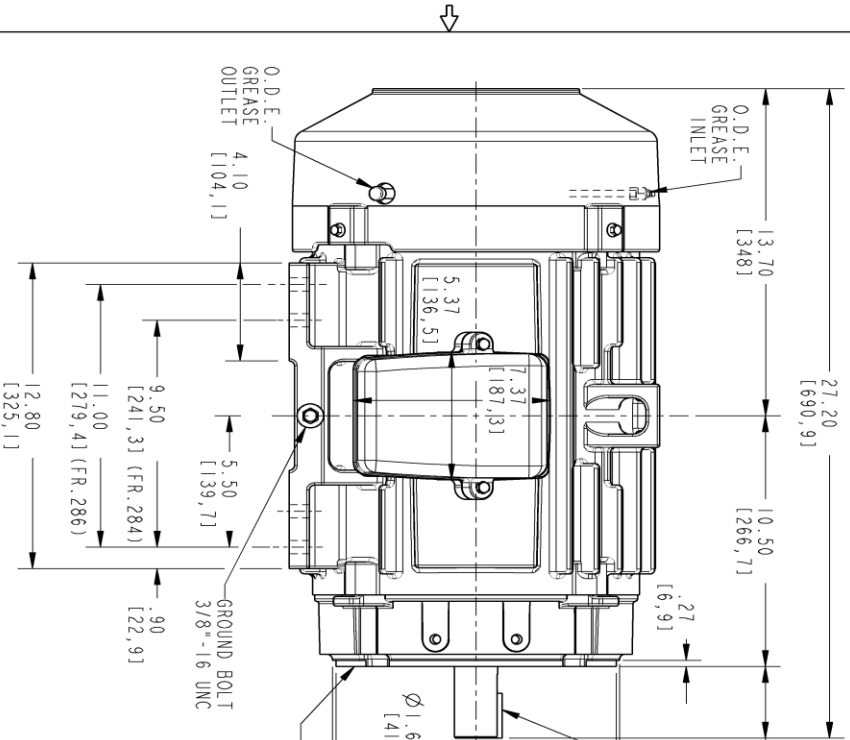
<b>Open Circuit A-C:</b>	1.035	<b>Short Circuit D-C:</b>	0.013
<b>Short Circuit A-C:</b>	0.025	<b>X/R Ratio:</b>	5.017
<b>Stator Slots:</b>	48	<b>Rotor Slots:</b>	38

**Speed Torque Current Curve (First Connection, First Speed)**



Marks:

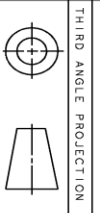
NOTE 1: CONDUIT BOX MAY BE ASSEMBLED WITH ENTRANCE UP, DOWN OR TO EITHER SIDE.  
 NOTE 2: FL ASSEMBLY AS SHOWN.  
 NOTE 3: MOUNTING SURFACES WILL BE SQUARE AND CONCENTRIC WITH SHAFT WITHIN .004 T.I.R.  
 NOTE 5: DE ENDSHIELD ROTATED 90° COUNTER CLOCKWISE.  
 NOTE 6: ALL DIMENSIONS ARE IN INCHES, BRACKETED DIMENSIONS ARE IN METRIC (MILLIMETERS)



PROPRIETARY INFORMATION  
 © COPYRIGHT 2018 Wolog Electric America LLC AND/OR ITS AFFILIATES.  
 All rights reserved. This document and the information it contains is the property of the Wolog Electric America LLC and/or its affiliates. It has been provided solely for transmission to approved recipients. No part of this document or information is to be reproduced, stored in a retrieval system, or transmitted in any form or by any means, electronic, mechanical, photocopying, recording, or otherwise, without the prior written permission of the Wolog Electric America LLC.

SIZE DRAWING NO. B  
 4002B5828BP5845 001

REVISIONS			
REV.	DESCRIPTION	DATE	APPROVED
1	COSMETIC CHANGES	03/16/21	RAGHU



SIGNATURES	DATE
MODEL	RAGHU 02/22/21
DETAIL	RAGHU 02/22/21
DESIGN	RAGHU 02/22/21
ENGR	RAGHU 02/22/21
CHK	RAGHU 02/22/21
QUALITY	RAGHU 02/22/21
ISSUED	RAGHU 02/22/21
SOLD ID MODEL:	4002B5828BP5845

SCALE: 0.225 REF. No.: 4002B5828BP5845

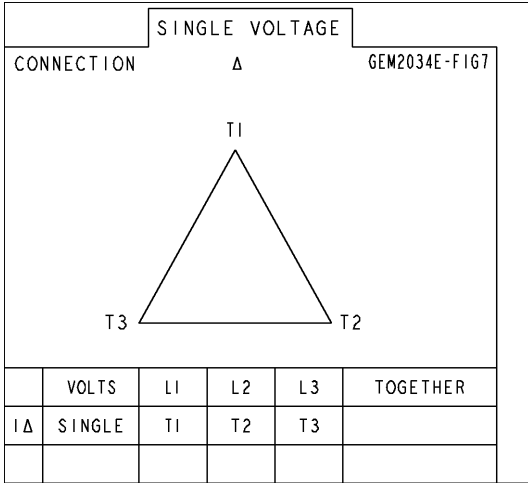


**INDUCTION MOTOR LINE**  
 294/286 TSC, X50 TFC, C-FACE 105° RABBIT  
 C/BOK 137 CUM, GROUND PAD

4002B5828BP5845 001

**Marks:**

**Connection Diagram**  
**GEM2034E-FIG7**



End shield Assembly		
Part Description	DE Side Part#	ODE Side Part#
End Shield	128D6206WF1	4004D5284SE1
Bearing	235A2508EC01	235A2508EC01
Slinger/Inproseal	149C4399G03	149C4399G03

Fan & Fan Cover Assembly	
Part Description	Part#
Fan	159C6704G02
Fan Cover	4003C5789PA1

Conduit & Accessories Box Assembly	
Part Description	Part#
Conduit Box	4002B5728PA-G01

Mechanical Accessories	
Part Description	Part#
Brake	
Tachometer	

