



GE INDUSTRIAL MOTORS
a **WOLONG** company

Product Technical Information

June 22, 2020

Data shown is for the current revision model #. Ensure your nameplate model # matches.

Model Number:	5KS326SAA218D8
Catalog Number:	M9918
Instruction Manual:	GEI-56128
Connection Diagram:	GEM2034E-FIG7
Outline Drawing:	239C6000AF

Accessory Connection Diagrams

Bearing Thermocouple:	None	Heater:	None
RTD:	None	Thermistor:	None
Thermostat:	None	Winding Thermocouple:	None
Bearing RTD:	None		

Table of Contents

Specification	01
Performance Characteristics	02
Outline Drawing	03
Connection Drawing(s)	04
Spare parts	05

Marks:

MODEL NUMBER:	5KS326SAA218D8	Estimated Weight:	710 Lbs
Outline Drawing:	239C6000AF	Time Rating:	CONT
Connection Diagram:	GEM2034E-FIG7	Enclosure:	TEFC
Instruction Book:	GEI-56128	Encl Construction:	X\$D
Design Code:	32BD1183A	Ambient Max(°C):	40
Type:	KS	Alt Ambient Max(°C):	60
Frame:	326TS	Insulation Class:	H
Phases:	3	NEMA Design:	B
Poles:	4	Nominal Efficiency:	94.5 %
Output Power:	50HP 37KW	Guaranteed Efficiency:	94.1 %
RPM:	1780	3/4 Load Efficiency:	94.8 %
Voltage:	460	KVA Code:	G
Hertz:	60	Max KVAR:	17.7
Amps - FL:	60.8	Power Factor:	81.5
Service Factor:	1.15	Bearing - DE:	6312ZC3
Alt Service Factor:	1.00	Bearing - ODE:	6312ZC3

Enclosure is Totally Enclosed Fan-Cooled

Stamped Nameplate Notes:

STAMP NP249A5564P051 AS BELOW:
 MODEL:5KS326SAA218D8 S/N: XXX
 CSA CERTIFIED CSA09.2216219 FOR EX NA IIC 200 C GC
 CL 1 ZONE2 AEX NA IIC 200C;CL 1 DIV2 GRP ABCD 200C
 IN -40C <= AMB <= 40C, 1.0 SF ON SINE-WAVE PWR
 SURF TEMP 260C AT 1.15SF ON SINE-WAVE PWR
 OR 200C VT OR 230C CT OR 200C CHP PWM CONTROL
 ALTERNATE RATING FOR PWM CONTROL 1.0SF 40C AMB
 VT 0 - 60 HZ, CT 10-60 HZ, CHP 60-90 HZ.

Additional Information:

4P - TS EXTN
 346 CU IN - 3.00" NPT
 OIL RESISTANT SLEEVING ON LEADS
 F1 MOUNTING



Performance Characteristics

1st Winding 1st Connection

Design: 32BD1183A

Marks:

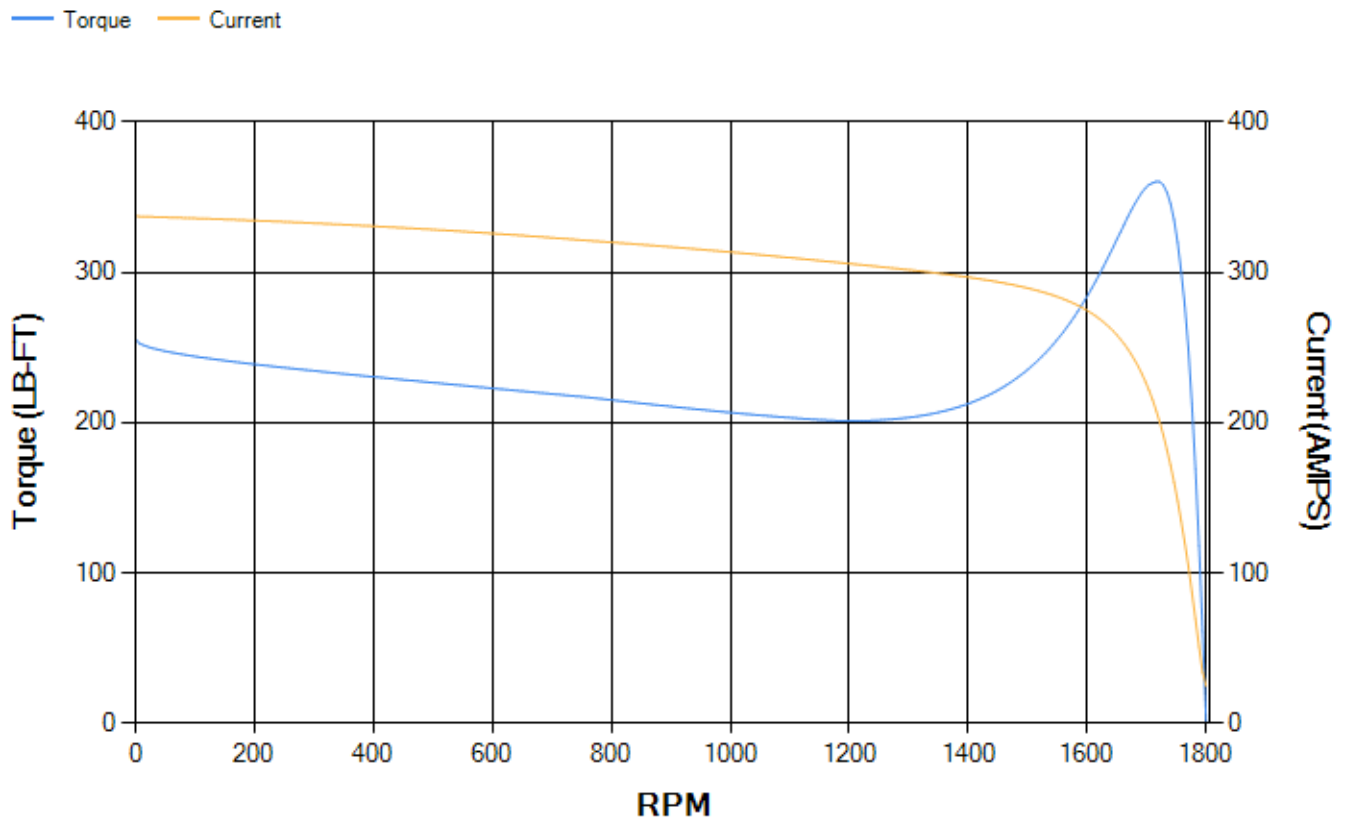
LOAD %	125.0	115.0	100.0	75.0	50.0	25.0	0.0
% EFF	93.77	94.07	94.64	94.79	94.49	91.93	0.00
% PF	83.04	82.57	81.28	76.81	66.71	44.37	3.33
AMPS	75.13	69.29	60.71	48.21	37.12	28.68	24.72

TORQ(FL)#FT	147.64	TORQ(LR)%FL	173.11	TORQ(BD)%FL	243.21
AMPS(LR)	337.38	PF AT START	0.34		

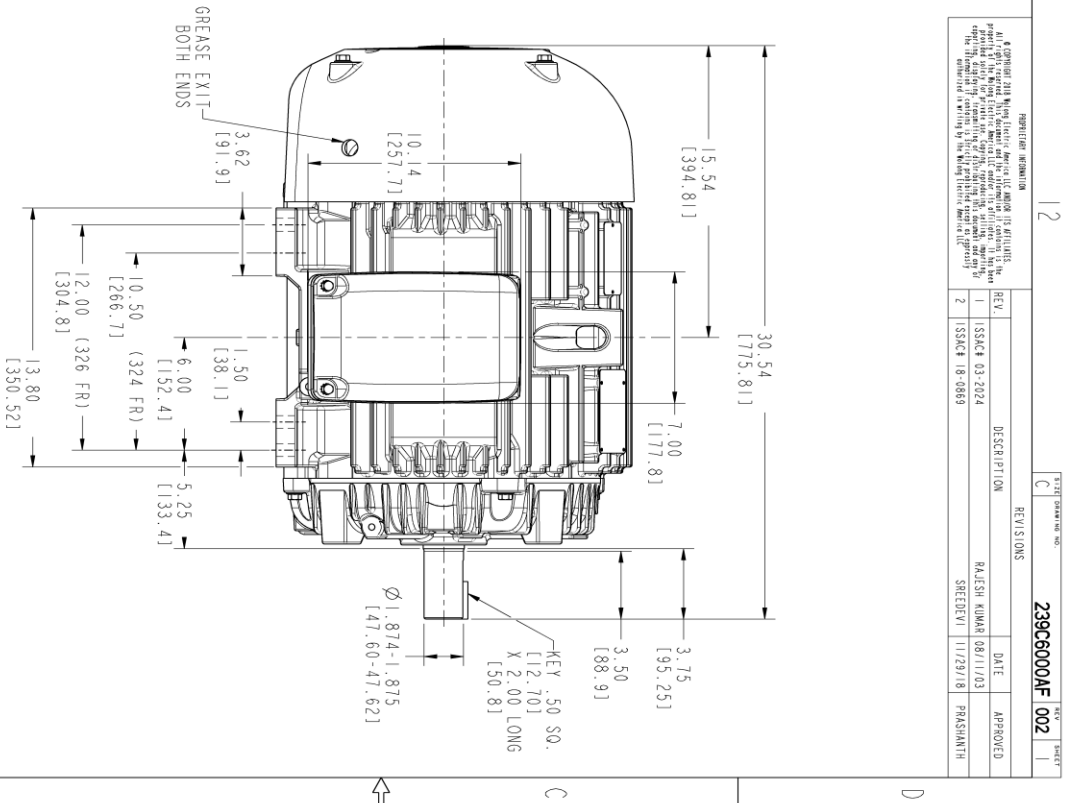
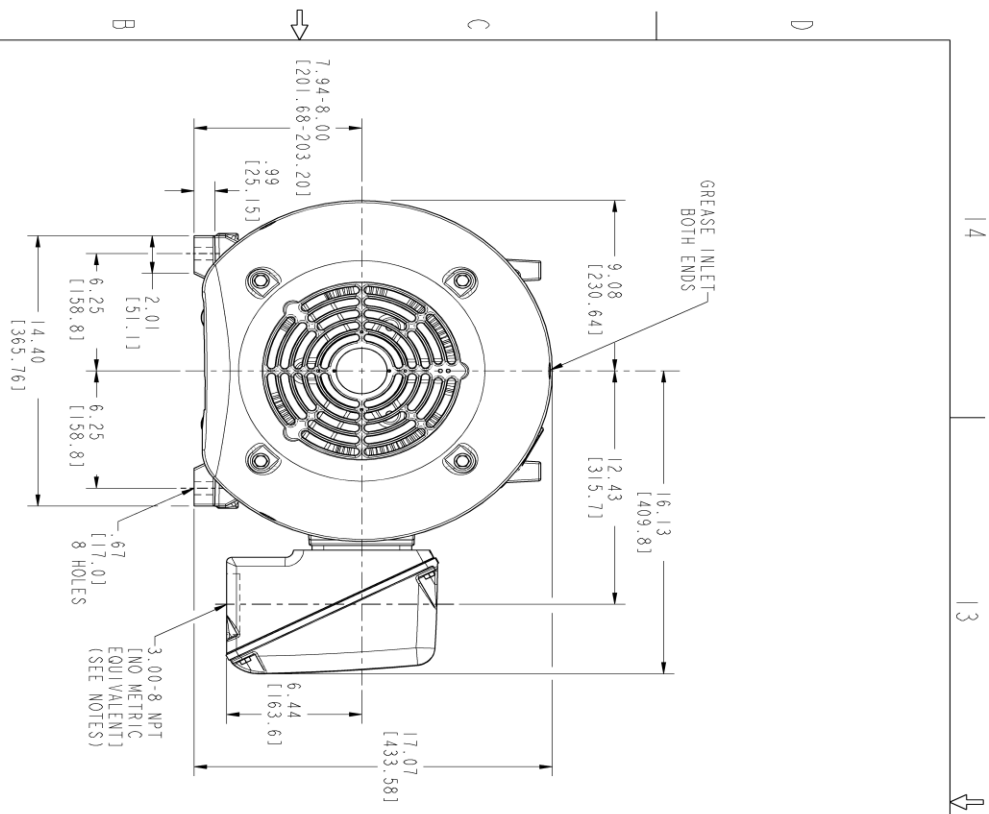
This motor is capable of two cold or one hot start with a maximum connected load inertia of 1058 Lb-Ft Sq (44.54 Kg-meter Sq) at 100% voltage, where the load torque varies with the square of the speed. Acceleration time with maximum inertia and the above load type is 34 seconds. Safe stall time at 100% voltage is 78 seconds cold, 40 seconds hot. Rotor inertia is 8.52 Lb-Ft Sq (0.36 Kg-meter Sq).

Open Circuit A-C:	0.51	Short Circuit D-C:	0.023
Short Circuit A-C:	0.031	X/R Ratio:	8.712
Stator Slots:	48	Rotor Slots:	38

Speed Torque Current Curve (First Connection, First Speed)



Marks:



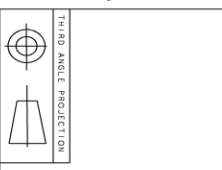
- NOTES:
- CONDUIT BOX MAY BE PLACED WITH THE ENTRANCE DOWN, UP OR ON EITHER SIDE.
 - F-1 ASM AS SHOWN.
 - F-2 ASM - HAS CONDUIT BOX ON OPPOSITE SIDE.
 - BRACKETED DIMENSIONS ARE METRIC (MILLIMETERS).

REGISTRATION INFORMATION

© COPYRIGHT 2018 GE Motors Electric, America's Electric Motor Division. All rights reserved. This drawing is the property of GE Motors Electric and is not to be reproduced, stored in a retrieval system, or transmitted in any form or by any means, electronic, mechanical, photocopying, recording, or by any information storage and retrieval system, without the prior written permission of GE Motors Electric. The information contained herein is the confidential and proprietary information of GE Motors Electric.

REV.	DESCRIPTION	DATE	APPROVED
1	ISSAC# 03-2024	08/11/20	RAJESH KUMAR
2	ISSAC# 18-0869	11/29/18	SREDEVII

239C6000AF 002



SIGNATURES	DATE
MODEL: MGRJAU	03/31/02
REVIEW: MANIVANNAN	03/31/02
DRAWN: MGRJAU	03/31/02
ISSUED: MGRJAU	03/31/02

GE INDUSTRIAL MOTORS
a WOLSKONG company

OUTLINE

324/326 TS TEFC
346 CU IN. CONDUIT BOX

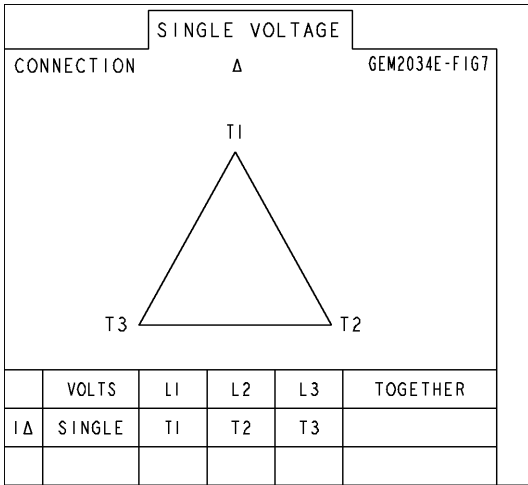
239C6000AF

SCALE: 0.250

SHEET 1 OF 1

Marks:

Connection Diagram
GEM2034E-FIG7



End shield Assembly		
Part Description	DE Side Part#	ODE Side Part#
End Shield	115E4200AA1	115E4200LA1
Bearing	235A2509AS01	235A2509AS01
Slinger/Inproseal	149C4399G04	149C4399G04

Fan & Fan Cover Assembly	
Part Description	Part#
Fan	159C6900G04
Fan Cover	128D6800AA1

Conduit & Accessories Box Assembly	
Part Description	Part#
Conduit Box	149C4429AA2

Mechanical Accessories	
Part Description	Part#
Brake	
Tachometer	

