



**GE INDUSTRIAL MOTORS**  
a **WOLONG** company

# Product Technical Information

January 30, 2021

Data shown is for the current revision model #. Ensure your nameplate model # matches.

<b>Model Number:</b>	<b>5KS405SAA208D10</b>
<b>Catalog Number:</b>	<b>M9924</b>
<b>Instruction Manual:</b>	GEI-56128
<b>Connection Diagram:</b>	GEM2034E-FIG7
<b>Outline Drawing:</b>	239C6400ZJ

## Accessory Connection Diagrams

<b>Bearing Thermocouple:</b>	None	<b>Heater:</b>	None
<b>RTD:</b>	None	<b>Thermistor:</b>	None
<b>Thermostat:</b>	None	<b>Winding Thermocouple:</b>	None
<b>Bearing RTD:</b>	None		

## Table of Contents

Specification	01
Performance Characteristics	02
Outline Drawing	03
Connection Drawing(s)	04
Spare parts	05

Marks:

<b>MODEL NUMBER:</b>	<b>5KS405SAA208D10</b>	<b>Estimated Weight:</b>	1460 Lbs
<b>Outline Drawing:</b>	239C6400ZJ	<b>Time Rating:</b>	CONT
<b>Connection Diagram:</b>	GEM2034E-FIG7	<b>Enclosure:</b>	TEFC
<b>Instruction Book:</b>	GEI-56128	<b>Encl Construction:</b>	841
<b>Design Code:</b>	40BD1159A	<b>Ambient Max(°C):</b>	40
<b>Type:</b>	KS	<b>Alt Ambient Max(°C):</b>	--
<b>Frame:</b>	405T	<b>Insulation Class:</b>	H
<b>Phases:</b>	3	<b>NEMA Design:</b>	B
<b>Poles:</b>	4	<b>Nominal Efficiency:</b>	95.4 %
<b>Output Power:</b>	100HP 74KW	<b>Guaranteed Efficiency:</b>	95.0 %
<b>RPM:</b>	1785	<b>3/4 Load Efficiency:</b>	--
<b>Voltage:</b>	460	<b>KVA Code:</b>	G
<b>Hertz:</b>	60	<b>Max KVAR:</b>	34.7
<b>Amps - FL:</b>	117.0	<b>Power Factor:</b>	83.5
<b>Service Factor:</b>	1.15	<b>Bearing - DE:</b>	6316ZC3
<b>Alt Service Factor:</b>	--	<b>Bearing - ODE:</b>	6316ZC3

Enclosure is Totally Enclosed Fan-Cooled

---

Stamped Nameplate Notes:

IEEE-STD-841-2009

DE BRG 80BC03JP3, ODE BRG 80BC03JP3

STAMP NP249A5564P051 AS BELOW:

MODEL:5KS405SAA208D10 S/N: XXX

CSA CERTIFIED CSA09.2216219 FOR EX NA IIC 200 C GC

CL 1 ZONE2 AEX NA IIC 200C;CL 1 DIV2 GRP ABCD 200C

IN -40C <= AMB <= 40C, 1.0 SF ON SINE-WAVE PWR

SURF TEMP 215C AT 1.15SF ON SINE-WAVE PWR

OR 200C VT OR 230C CT OR 200C CHP PWM CONTROL

ALTERNATE RATING FOR PWM CONTROL 1.0SF 40C AMB

VT 0-60 HZ, CT 15-60 HZ, CHP 60-90 HZ.



**Additional Information:**

4P - T EXTN  
PAINTED FRAME ID & SHAFT,  
FAN COVER INSIDE & ODE E/S OUTSIDE  
C/BOX 700 CU IN - 3.00" NPT  
OIL RESISTANT SLEEVING ON LEADS  
.0015" TIR SHAFT RUNOUT  
ROUTINE TEST REPORT AND 5 POINT VIBRATION TEST  
REPORT INCLUDED IN C/B  
GROUND PAD  
F1 MOUNTING



**Performance Characteristics**

1st Winding 1st Connection

**Design: 40BD1159A**

**Marks:**

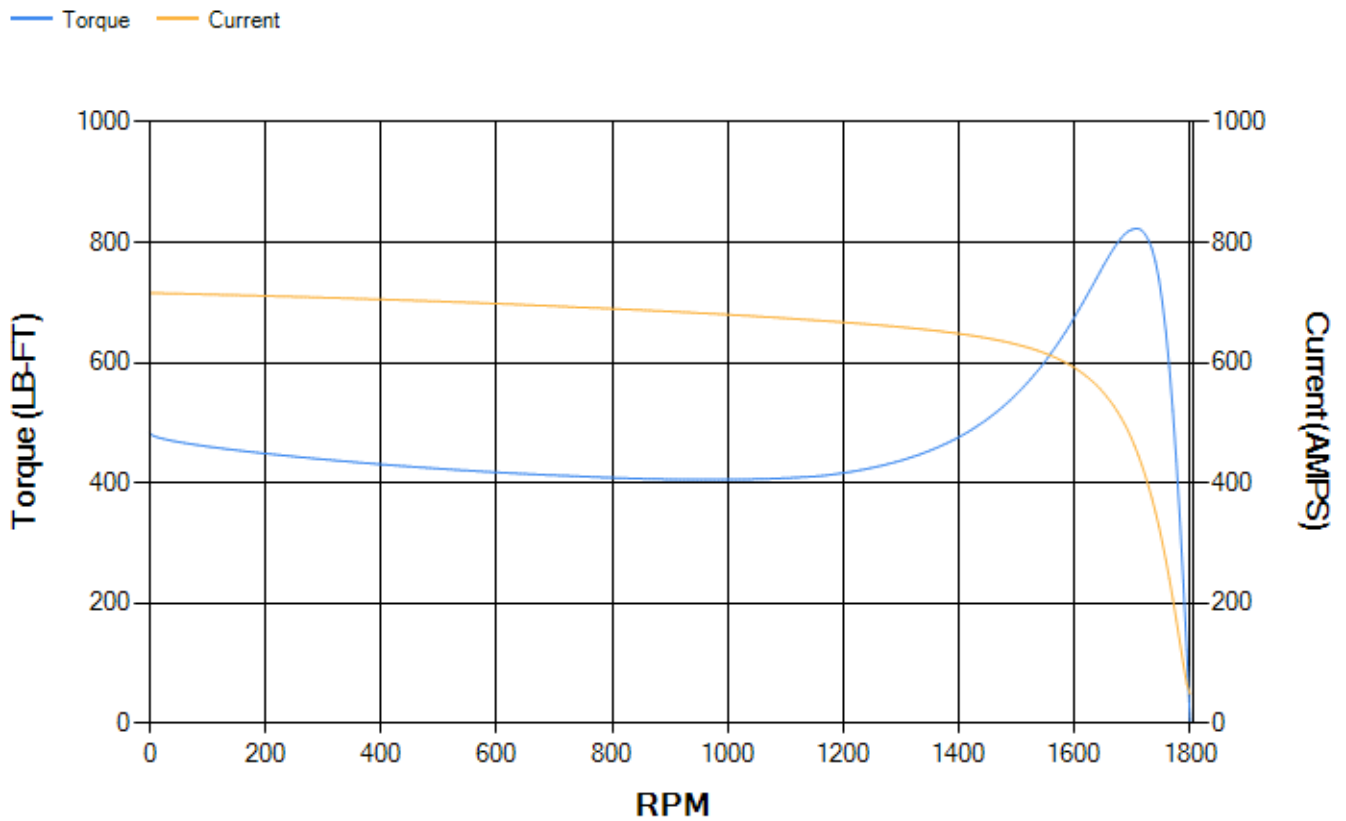
LOAD %	125.0	115.0	100.0	75.0	50.0	25.0	0.0
% EFF	94.93	95.13	95.58	95.57	95.2	92.81	0.00
% PF	85.46	84.81	83.3	78.51	68.1	45.2	3.16
AMPS	144.2	133.4	117.56	93.55	72.19	55.77	48.37

<b>TORQ(FL)#FT</b>	294.32	<b>TORQ(LR)%FL</b>	164.02	<b>TORQ(BD)%FL</b>	278.95
<b>AMPS(LR)</b>	715.84	<b>PF AT START</b>	0.32		

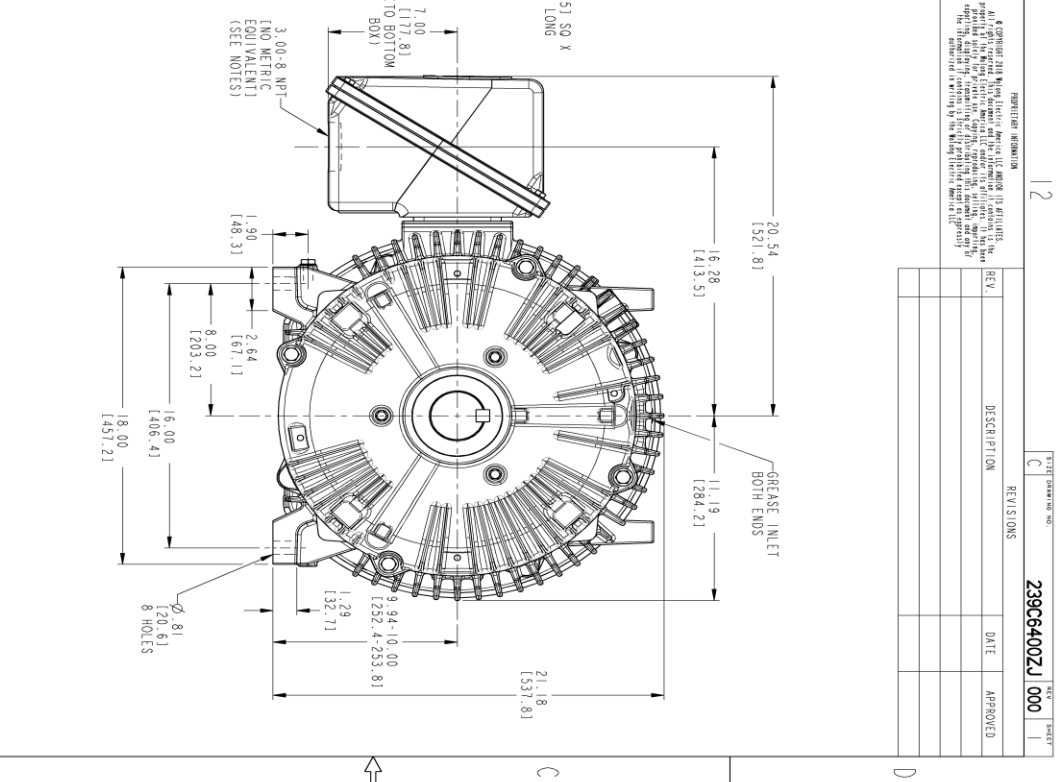
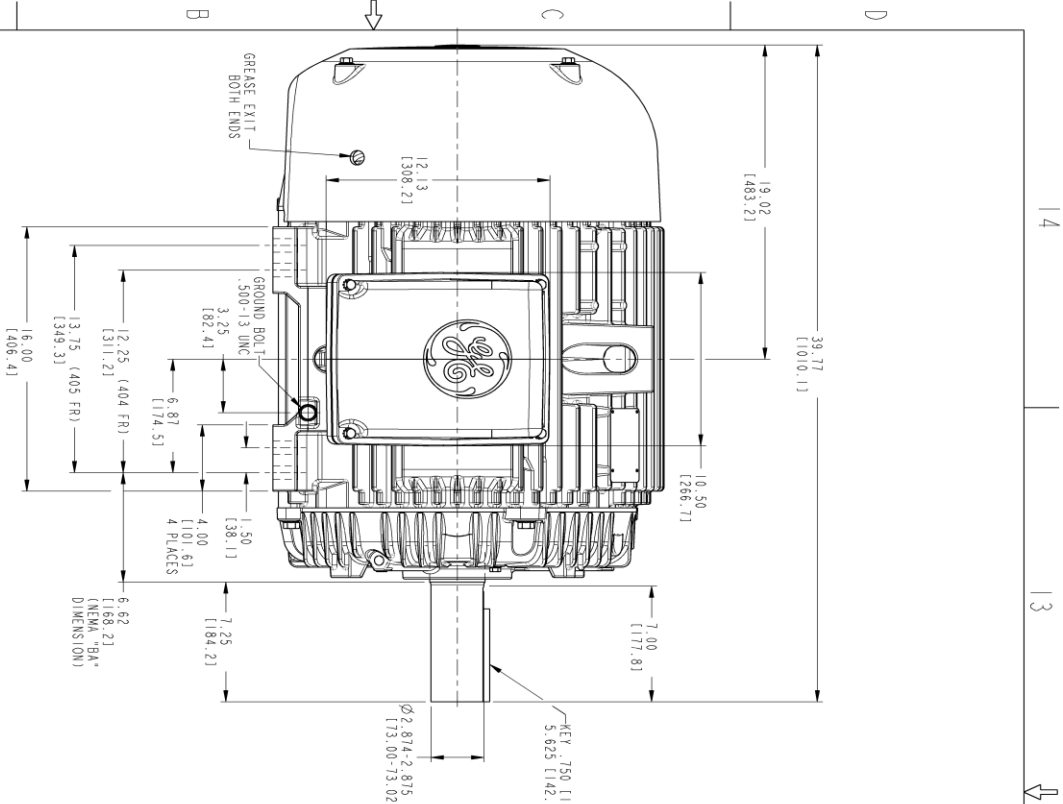
This motor is capable of two cold or one hot start with a maximum connected load inertia of 2242 Lb-Ft Sq (94.39 Kg-meter Sq)at 100% voltage, where the load torque varies with the square of the speed. Acceleration time with maximum inertia and the above load type is 35 seconds. Safe stall time at 100% voltage is 75 seconds cold, 42 seconds hot. Rotor inertia is 23.13 Lb-Ft Sq (0.97 Kg-meter Sq).

<b>Open Circuit A-C:</b>	0.673	<b>Short Circuit D-C:</b>	0.025
<b>Short Circuit A-C:</b>	0.041	<b>X/R Ratio:</b>	9.474
<b>Stator Slots:</b>	72	<b>Rotor Slots:</b>	58

**Speed Torque Current Curve (First Connection, First Speed)**



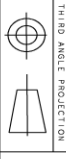
Marks:



PROHIBITION INFORMATION  
 All GE products are designed and manufactured in accordance with the applicable standards of the International Electrotechnical Commission (IEC) and the American National Standards Institute (ANSI). GE products are not to be used in applications where the use of such products is prohibited by applicable laws, regulations, codes, standards, or other requirements. The user is responsible for ensuring that the use of GE products complies with all applicable requirements.

REV.	DESCRIPTION	DATE	APPROVED

- NOTES:
1. CONDUIT BOX MAY BE PLACED WITH THE ENTRANCE DOWN, UP OR ON EITHER SIDE.
  2. F-1 ASSEMBLY AS SHOWN.
  3. ALL DIMENSIONS ARE IN INCHES. BRACKETED DIMENSIONS ARE METRIC (MILLIMETERS).



SIGNATURES	DATE
MODEL PRASAKMA 04/01/21	
REVIEW PRASAKMA 04/01/21	
CHECKED BISHU 04/01/21	
DRAWN PRASAKMA 04/01/21	
DATE	
ISSUED PRASAKMA 04/01/21	

GE INDUSTRIAL MOTORS  
 a WOLSKONG company  
**OUTLINE**  
 404/405 T TEFC XSD  
 700 CU IN CONDUIT BOX, GROUND PAD

SIZE	DRAWING	REV
C	239C6400ZJ	000

SCALE: 0.250 REF. No: 239C6400ZJ SHEET 1 OF 1

TITLE	REV'S/DIMS	DATE	APPROVED

MODEL	DATE
5KS405SAA208D10	

REV	DESCRIPTION	DATE	APPROVED

**Marks:**

**Connection Diagram**  
**GEM2034E-FIG7**



End shield Assembly		
Part Description	DE Side Part#	ODE Side Part#
End Shield	115E4304AA1	115E4304LL1
Bearing	235A2518AC01	235A2518AC01
Slinger/Inproseal	149C4399G06	149C4399G06

Fan & Fan Cover Assembly	
Part Description	Part#
Fan	159C7100AA2
Fan Cover	128D6832AA1

Conduit & Accessories Box Assembly	
Part Description	Part#
Conduit Box	118D4408AD2

Mechanical Accessories	
Part Description	Part#
Brake	
Tachometer	

