



GE INDUSTRIAL MOTORS
a **WOLONG** company

Product Technical Information

April 12, 2021

Data shown is for the current revision model #. Ensure your nameplate model # matches.

Model Number:	5KS256SAA108D2
Catalog Number:	M993
Instruction Manual:	GEI-56128
Connection Diagram:	GEM2034E-FIG7
Outline Drawing:	4002B5825PAP5992

Accessory Connection Diagrams

Bearing Thermocouple:	None	Heater:	None
RTD:	None	Thermistor:	None
Thermostat:	None	Winding Thermocouple:	None
Bearing RTD:	None		

Table of Contents

Specification	01
Performance Characteristics	02
Outline Drawing	03
Connection Drawing(s)	04
Spare parts	05

Marks:

MODEL NUMBER:	5KS256SAA108D2	Estimated Weight:	350 Lbs
Outline Drawing:	4002B5825PAP5992	Time Rating:	CONT
Connection Diagram:	GEM2034E-FIG7	Enclosure:	TEFC
Instruction Book:	GEI-56128	Encl Construction:	841
Design Code:	25BD0124A	Ambient Max(°C):	40
Type:	KS	Alt Ambient Max(°C):	--
Frame:	256T	Insulation Class:	H
Phases:	3	NEMA Design:	B
Poles:	2	Nominal Efficiency:	91.0 %
Output Power:	20HP 14.8KW	Guaranteed Efficiency:	90.2 %
RPM:	3545	3/4 Load Efficiency:	--
Voltage:	460	KVA Code:	G
Hertz:	60	Max KVAR:	2.4
Amps - FL:	22.6	Power Factor:	91.0
Service Factor:	1.15	Bearing - DE:	6309ZC3
Alt Service Factor:	--	Bearing - ODE:	6309ZC3

Enclosure is Totally Enclosed Fan-Cooled

Stamped Nameplate Notes:

IEEE-STD-841-2009

DE BRG 45BC03JP30 ODE BRG 45BC03JP30

STAMP NP249A5564P051 AS BELOW:

MODEL:5KS256SAA108D2 S/N: XXX

CSA CERTIFIED CSA09.2216219 FOR EX NA IIC 200C GC

CL 1 ZONE2 AEX NA IIC 200C;CL 1 DIV2 GRP ABCD 200C

IN -40C <= AMB <= 40C, 1.0 SF ON SINE-WAVE PWR

SURF TEMP 230C AT 1.15SF ON SINE-WAVE PWR

OR 200C VT OR 200C CT OR 200C CHP PWM CONTROL

ALTERNATE RATING FOR PWM CONTROL 1.0SF 40C AMB

VT 0-60 HZ, CT 15-60 HZ, CHP 60-90 HZ.



Additional Information:

2P - T EXTN
STANDARD FLOOR MOUNT
C/BOX 137 CU IN-1.25 NPT
F1 CONDUIT BOX MOUNTING
PAINTED FRAME ID & SHAFT,
FAN COVER INSIDE & ODE E/S OUTSIDE
ROUTINE AND 5 POINT VIBRATION TESTS INCL IN C/BOX
GROUND SCREW ON FRAME
SHAFT RUNOUT LIMIT .001" TIR
OIL RESISTANT SLEEVING ON LEADS



Performance Characteristics

1st Winding 1st Connection

Design: 25BD0124A

Marks:

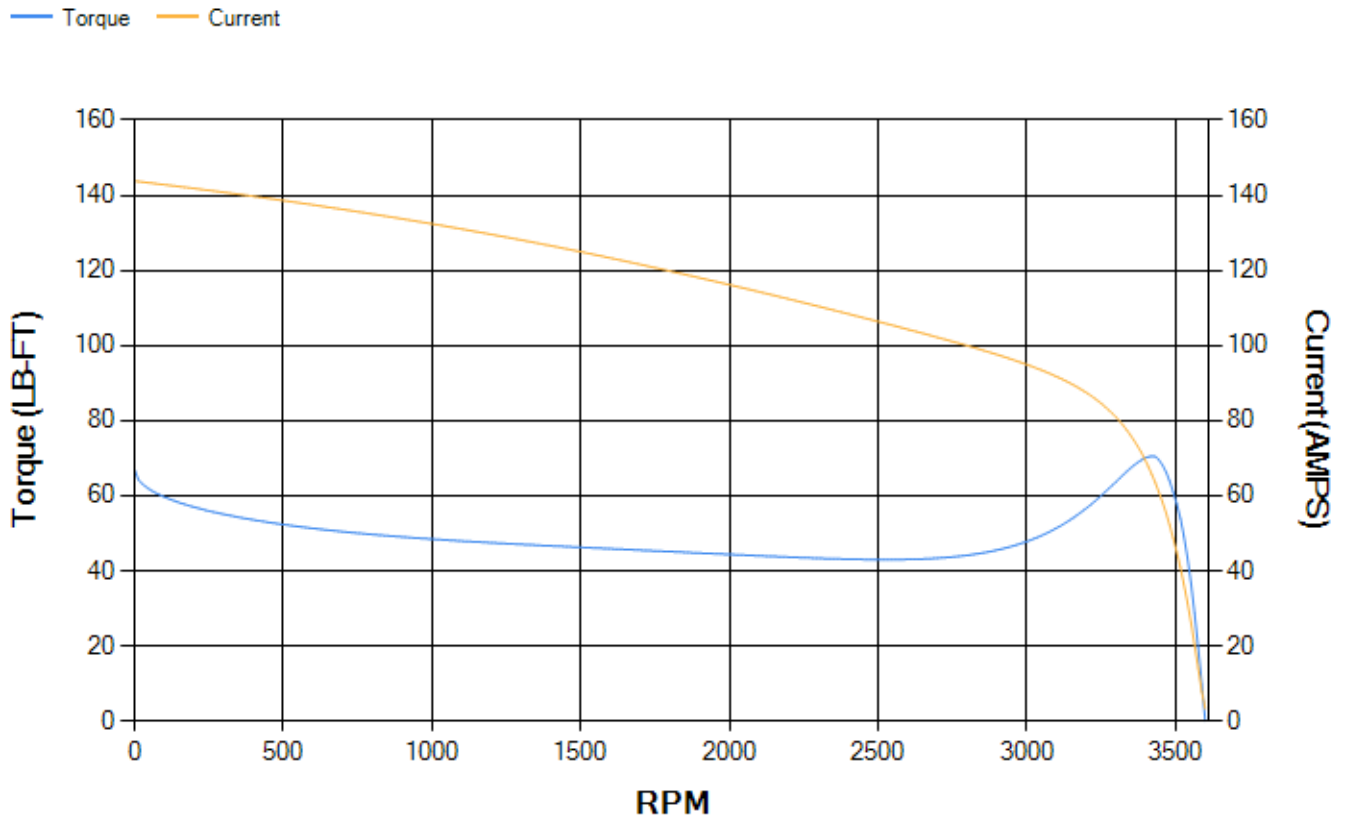
LOAD %	125.0	115.0	100.0	75.0	50.0	25.0	0.0
% EFF	89.8	90.6	91.79	92.76	93.12	91.03	0.00
% PF	89.28	90.18	91.12	91.66	90.05	80.47	11.28
AMPS	29.18	26.35	22.38	16.51	11.16	6.39	3.3

TORQ(FL)#FT	29.63	TORQ(LR)%FL	226.07	TORQ(BD)%FL	236.58
AMPS(LR)	143.8	PF AT START	0.32		

This motor is capable of two cold or one hot start with a maximum connected load inertia of 154 Lb-Ft Sq (6.48 Kg-meter Sq)at 100% voltage, where the load torque varies with the square of the speed. Acceleration time with maximum inertia and the above load type is 46 seconds. Safe stall time at 100% voltage is 91 seconds cold, 55 seconds hot. Rotor inertia is 1.88 Lb-Ft Sq (0.08 Kg-meter Sq).

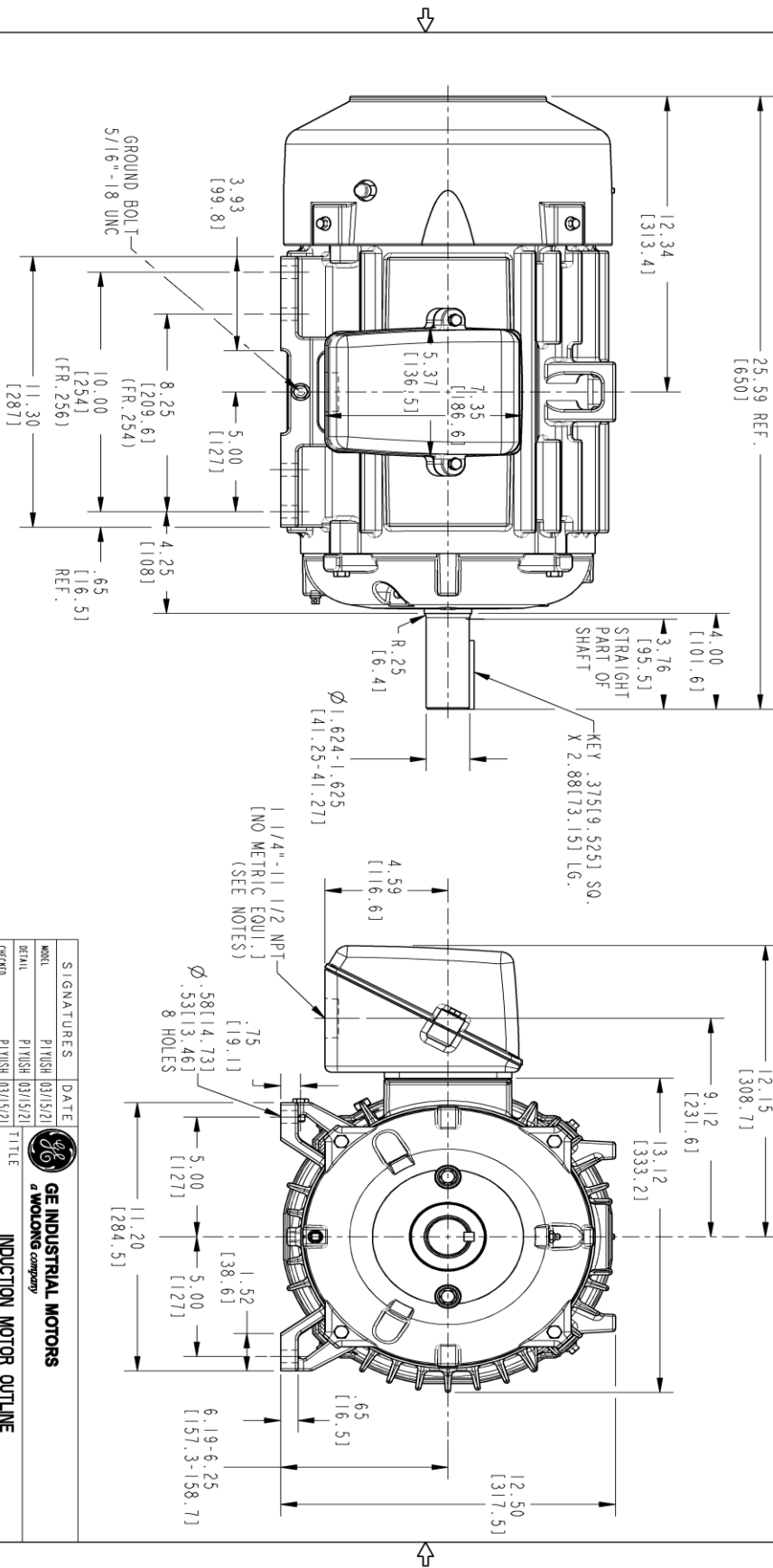
Open Circuit A-C:	1.258	Short Circuit D-C:	0.013
Short Circuit A-C:	0.029	X/R Ratio:	5.018
Stator Slots:	36	Rotor Slots:	26

Speed Torque Current Curve (First Connection, First Speed)



Marks:

NOTE 1: CONDUIT BOX MAY BE ASSEMBLED WITH ENTRANCE UP, DOWN OR TO EITHER SIDE.
 NOTE 2: FIT ASSEMBLY AS SHOWN.
 NOTE 3: ALL DIMENSIONS ARE IN INCHES, BRACKETED DIMENSIONS ARE IN METRIC (MILLIMETERS)



PROPRIETARY INFORMATION
 All rights reserved. This document and the information it contains is the property of the Motor Electric America LLC and/or its affiliates. It has been provided solely for the use of the customer for the specific application and for the specific equipment. No other use, reproduction, distribution, or disclosure of this information is strictly prohibited except as expressly authorized in writing by the Motor Electric America LLC.

REV.	DESCRIPTION	DATE	APPROVED
001	SAGAR K	03/24/21	VJ JAY

SIZE	DRAWING NO.	REV	SHEET
B	4002B5825PAP5992	001	1

THIRD ANGLE PROJECTION



SIGNATURES	DATE
MODEL PIVUSH 03/15/21	
DETAIL PIVUSH 03/15/21	
DESIGN PIVUSH 03/15/21	
ENGR	
QC	
QUALITY	
ISSUED PIVUSH 03/15/21	
SOLID MODEL: 4002B5825PAP5992	

TITLE	SCALE	REF. NO.
INDUCTION MOTOR OUTLINE STANDARD CONSTRUCTION, GROUND PAD FMR, FR-250T TFC	0.250	4002B5825PAP5992



4002B5825PAP5992 001

Marks:

Connection Diagram
GEM2034E-FIG7



End shield Assembly		
Part Description	DE Side Part#	ODE Side Part#
End Shield	4004D5283PB1	4004D5283SE1
Bearing	235A2507EB01	235A2507EB01
Slinger/Inproseal	149C4399G02	149C4399G02

Fan & Fan Cover Assembly	
Part Description	Part#
Fan	159C6704G02
Fan Cover	4003C5788PA1

Conduit & Accessories Box Assembly	
Part Description	Part#
Conduit Box	4002B5728PA-G04

Mechanical Accessories	
Part Description	Part#
Brake	
Tachometer	

