



GE INDUSTRIAL MOTORS
a **WOLONG** company

Product Technical Information

April 1, 2021

Data shown is for the current revision model #. Ensure your nameplate model # matches.

Model Number:	5KS184SAA300D1
Catalog Number:	M9948
Instruction Manual:	GEI-56128
Connection Diagram:	GEM2034E-FIG1
Outline Drawing:	4002B5818PBP5311

Accessory Connection Diagrams

Bearing Thermocouple:	None	Heater:	None
RTD:	None	Thermistor:	None
Thermostat:	None	Winding Thermocouple:	None
Bearing RTD:	None		

Table of Contents

Specification	01
Performance Characteristics	02
Outline Drawing	03
Connection Drawing(s)	04
Spare parts	05

Marks:

MODEL NUMBER:	5KS184SAA300D1	Estimated Weight:	101 Lbs
Outline Drawing:	4002B5818PBP5311	Time Rating:	CONT
Connection Diagram:	GEM2034E-FIG1	Enclosure:	TEFC
Instruction Book:	GEI-56128	Encl Construction:	841
Design Code:	18BD3002A	Ambient Max(°C):	40
Type:	KS	Alt Ambient Max(°C):	65
Frame:	184TC	Insulation Class:	H
Phases:	3	NEMA Design:	B
Poles:	6	Nominal Efficiency:	88.5 %
Output Power:	2HP 1.5KW	Guaranteed Efficiency:	87.5 %
RPM:	1170	3/4 Load Efficiency:	--
Voltage:	460	KVA Code:	L
Hertz:	60	Max KVAR:	1.2
Amps - FL:	3.0	Power Factor:	69.5
Service Factor:	1.15	Bearing - DE:	6307ZC3
Alt Service Factor:	1.00	Bearing - ODE:	6206ZC3

Enclosure is Totally Enclosed Fan-Cooled

Stamped Nameplate Notes:

IEEE-STD-841-2009

DE BRG 35BC03JP30 ODE BRG 30BC02JP30

STAMP NP249A5564P051 AS BELOW:

MODEL:5KS184SAA300D1 S/N: XXX

CSA CERTIFIED CSA09.2216219 FOR EX NA IIC 200C GC

CL 1 ZONE2 AEX NA IIC 200C;CL 1 DIV2 GRP ABCD 200C

IN -25C <= AMB <= 40C, 1.0 SF ON SINE-WAVE PWR

SURF TEMP 200C AT 1.15SF ON SINE-WAVE PWR

OR 200C VT OR 200C CT OR 200C CHP PWM CONTROL

ALTERNATE RATING FOR PWM CONTROL 1.0SF 40C AMB

VT 0-60 HZ, CT 3-60 HZ, CHP 60-90 HZ.



Additional Information:

6P - T EXTN
STANDARD FLOOR MOUNT
C/BOX 55 CU IN-1.00 NPT
F1 CONDUIT BOX MOUNTING
"C" FACE AT DE ENDSHIELD
PAINTED FRAME ID & SHAFT,
FAN COVER INSIDE & ODE E/S OUTSIDE
ROUTINE AND 5 POINT VIBRATION TESTS INCL IN C/BOX
INPRO SEAL DE / SLINGER ODE
GROUND SCREW ON FRAME
SHAFT RUNOUT LIMIT .001" TIR
OIL RESISTANT SLEEVING ON LEADS



Performance Characteristics

1st Winding 1st Connection

Design: 18BD3002A

Marks:

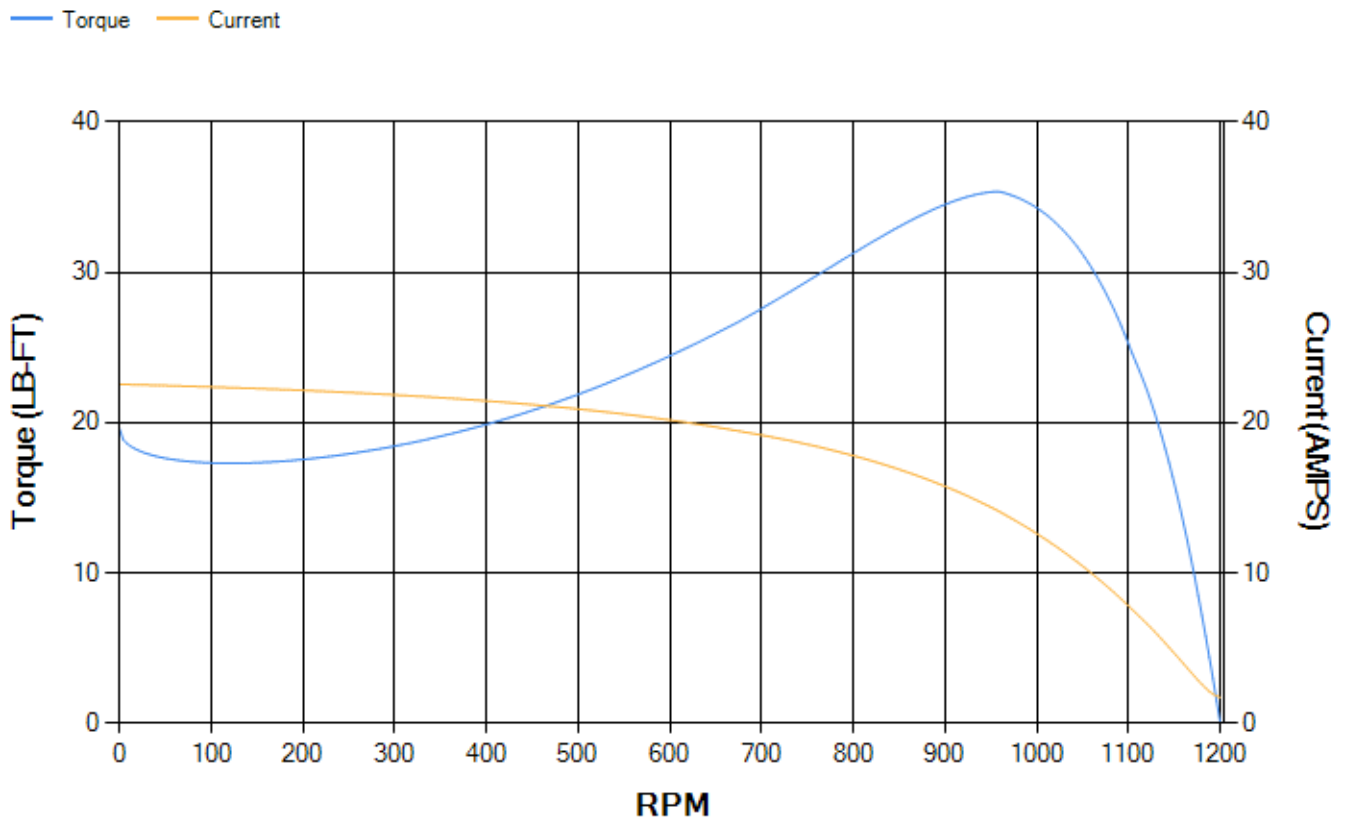
LOAD %	125.0	115.0	100.0	75.0	50.0	25.0	0.0
% EFF	87.5	87.94	88.62	88.62	87.31	81.02	0.00
% PF	74.89	73.11	71.45	61.48	48.62	29.76	5.57
AMPS	3.57	3.35	2.96	2.58	2.2	1.94	1.72

TORQ(FL)#FT	8.97	TORQ(LR)%FL	218.44	TORQ(BD)%FL	385.05
AMPS(LR)	22.55	PF AT START	0.46		

This motor is capable of two cold or one hot start with a maximum connected load inertia of 290 Lb-Ft Sq (12.21 Kg-meter Sq)at 100% voltage, where the load torque varies with the square of the speed. Acceleration time with maximum inertia and the above load type is 53 seconds. Safe stall time at 100% voltage is 117 seconds cold, 94 seconds hot. Rotor inertia is 0.41 Lb-Ft Sq (0.02 Kg-meter Sq).

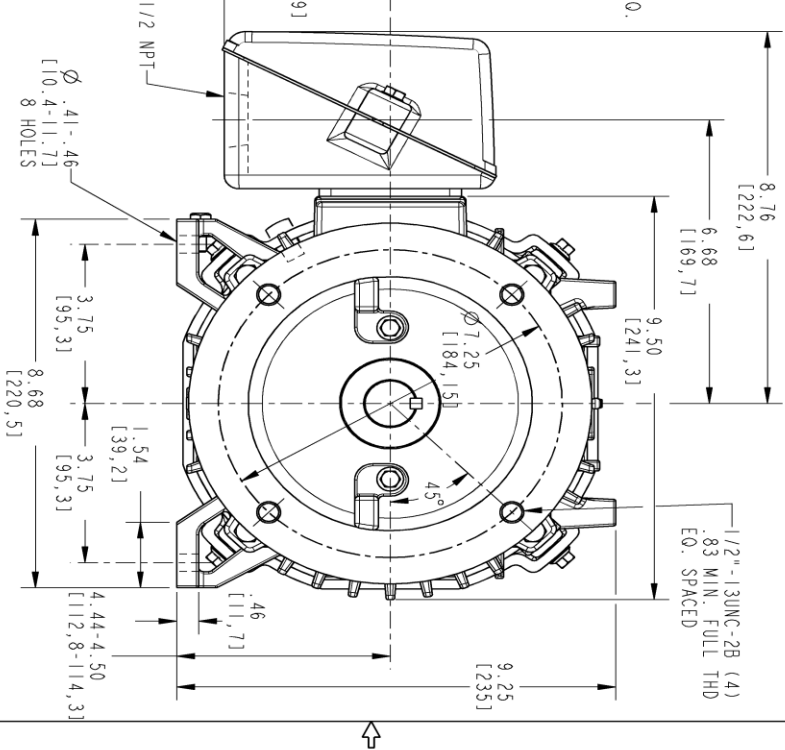
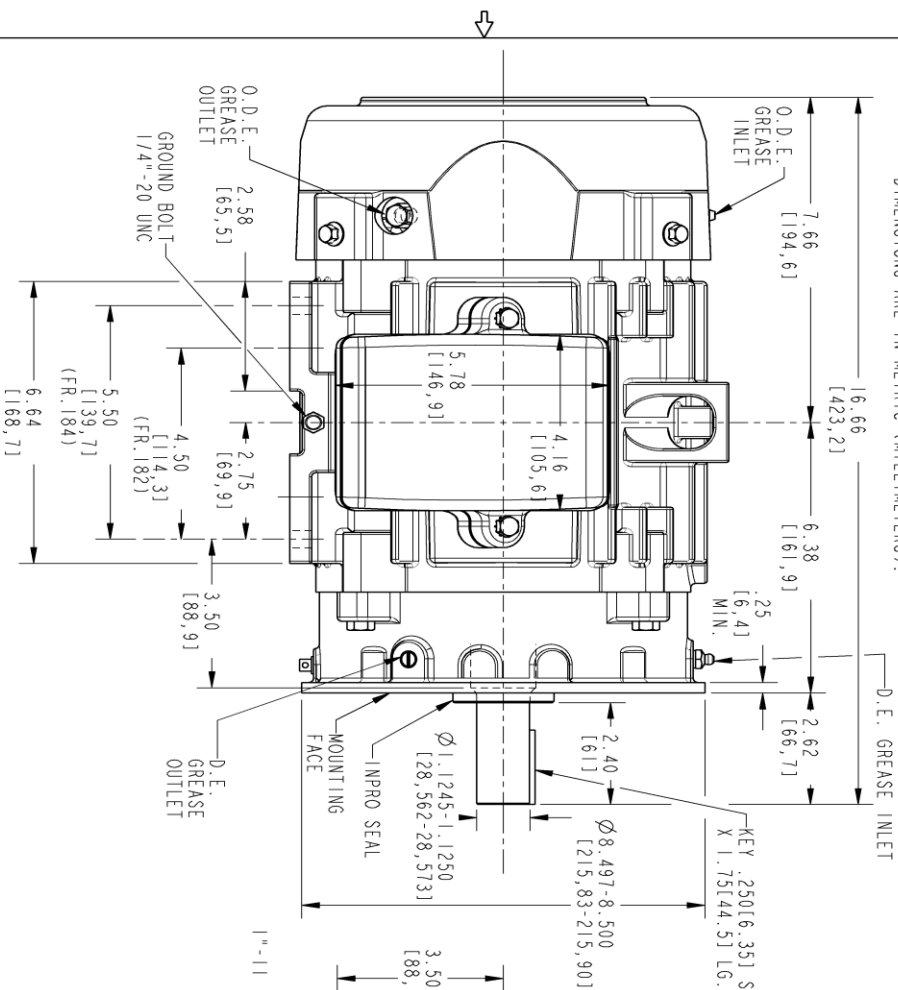
Open Circuit A-C:	0.158	Short Circuit D-C:	0.008
Short Circuit A-C:	0.01	X/R Ratio:	3.192
Stator Slots:	36	Rotor Slots:	48

Speed Torque Current Curve (First Connection, First Speed)



Marks:

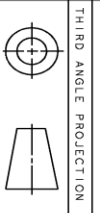
NOTE 1: CONDUIT BOX MAY BE ASSEMBLED WITH ENTRANCE UP OR DOWN.
 NOTE 2: F1 ASSEMBLY AS SHOWN, F2 ASSEMBLY CONDUIT BOX ON OPPOSITE SIDE FROM SHOWN LOCATION.
 NOTE 3: MOUNTING SURFACES WILL BE SQUARE AND CONCENTRIC WITH SHAFT WITHIN .004 T.I.R.
 NOTE 4: SHAFT RUNOUT WILL NOT EXCEED .001 T.I.R.
 NOTE 5: ALL DIMENSIONS ARE IN INCHES, BRACKETED DIMENSIONS ARE IN METRIC (MILLIMETERS).



PROPRIETARY INFORMATION
 © COPYRIGHT 2018 Wolog Electric America LLC AND/OR ITS AFFILIATES
 All rights reserved. This document and the information it contains is the property of Wolog Electric America LLC and/or its affiliates. It has been provided solely for the use of the customer for whom it was prepared. No other use, reproduction, transmission, distribution, or any form of disclosure of this information is strictly prohibited except as expressly authorized in writing by Wolog Electric America LLC.

REV.	DESCRIPTION	DATE	APPROVED
1	ISAC# 18-0869	SREDEV1 10/26/18	PRASHANTH

SIZE	DRAWING NO.	REV	SHEET
B	4002B5818BP5311	001	1



SIGNATURES	DATE	TITLE
TEJASNI	06/09/15	INDUCTION MOTOR OUTLINE
TEJASNI	06/09/15	
KARTHIK	06/09/15	
VENKAT	06/09/15	

GE INDUSTRIAL MOTORS
 a WOLOG company

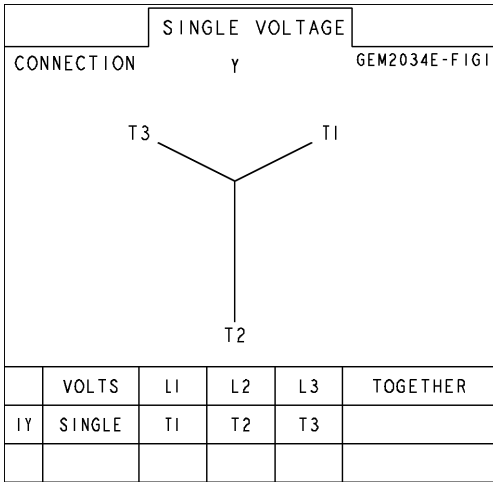
IEEE-841 SPEC, "C" FACE AT DE (185° RABBIT)
 FR182/184 TC TERC

SCALE: 0.400 | REF. No.: 4002B5818BP5301

QUALITY	SIZE	DRAWING	REV
TEJASNI	B	4002B5818BP5311	001

Marks:

Connection Diagram
GEM2034E-FIG1



End shield Assembly		
Part Description	DE Side Part#	ODE Side Part#
End Shield	4004D5286PE1	4004D5281SG1
Bearing	235A2501AE01	235A2502AM01
Slinger/Inproseal	316A5384AJ1	149C4399G16

Fan & Fan Cover Assembly	
Part Description	Part#
Fan	4001A5914AM-G01
Fan Cover	4003C5786PA1

Conduit & Accessories Box Assembly	
Part Description	Part#
Conduit Box	4002B5721PA-G01

Mechanical Accessories	
Part Description	Part#
Brake	
Tachometer	

