



**GE INDUSTRIAL MOTORS**  
a **WOLONG** company

# Product Technical Information

April 11, 2021

Data shown is for the current revision model #. Ensure your nameplate model # matches.

<b>Model Number:</b>	<b>5KS215SAA100D3</b>
<b>Catalog Number:</b>	<b>M9951</b>
<b>Instruction Manual:</b>	GEI-56128
<b>Connection Diagram:</b>	GEM2034E-FIG1
<b>Outline Drawing:</b>	4002B5821PBP5820

## Accessory Connection Diagrams

<b>Bearing Thermocouple:</b>	None	<b>Heater:</b>	None
<b>RTD:</b>	None	<b>Thermistor:</b>	None
<b>Thermostat:</b>	None	<b>Winding Thermocouple:</b>	None
<b>Bearing RTD:</b>	None		

## Table of Contents

Specification	01
Performance Characteristics	02
Outline Drawing	03
Connection Drawing(s)	04
Spare parts	05

Marks:

<b>MODEL NUMBER:</b>	<b>5KS215SAA100D3</b>	<b>Estimated Weight:</b>	220 Lbs
<b>Outline Drawing:</b>	4002B5821PBP5820	<b>Time Rating:</b>	CONT
<b>Connection Diagram:</b>	GEM2034E-FIG1	<b>Enclosure:</b>	TEFC
<b>Instruction Book:</b>	GEI-56128	<b>Encl Construction:</b>	841
<b>Design Code:</b>	21BD0226A	<b>Ambient Max(°C):</b>	40
<b>Type:</b>	KS	<b>Alt Ambient Max(°C):</b>	--
<b>Frame:</b>	215TC	<b>Insulation Class:</b>	H
<b>Phases:</b>	3	<b>NEMA Design:</b>	B
<b>Poles:</b>	2	<b>Nominal Efficiency:</b>	90.2 %
<b>Output Power:</b>	10HP 7.4KW	<b>Guaranteed Efficiency:</b>	89.5 %
<b>RPM:</b>	3530	<b>3/4 Load Efficiency:</b>	--
<b>Voltage:</b>	460	<b>KVA Code:</b>	H
<b>Hertz:</b>	60	<b>Max KVAR:</b>	2.3
<b>Amps - FL:</b>	11.6	<b>Power Factor:</b>	89.5
<b>Service Factor:</b>	1.15	<b>Bearing - DE:</b>	6309ZC3
<b>Alt Service Factor:</b>	--	<b>Bearing - ODE:</b>	6208ZC3

Enclosure is Totally Enclosed Fan-Cooled

---

Stamped Nameplate Notes:

IEEE-STD-841-2009

DE BRG 45BC03JP30 ODE BRG 40BC02JP30

STAMP NP249A5564P051 AS BELOW:

MODEL:5KS215SAA100D3 S/N: XXX

CSA CERTIFIED CSA09.2216219 FOR EX NA IIC 200C GC

CL 1 ZONE2 AEX NA IIC 200C;CL 1 DIV2 GRP ABCD 200C

IN -40C <= AMB <= 40C, 1.0 SF ON SINE-WAVE PWR

SURF TEMP 230C AT 1.15SF ON SINE-WAVE PWR

OR 200C VT OR 215C CT OR 200C CHP PWM CONTROL

ALTERNATE RATING FOR PWM CONTROL 1.0SF 40C AMB

VT 0 - 60 HZ, CT 8.6-60 HZ, CHP 60-90 HZ.



**Additional Information:**

2P - T EXTN  
STANDARD FLOOR MOUNT  
C/BOX 55 CU IN-1.00 NPT  
F1 CONDUIT BOX MOUNTING  
"C" FACE AT DE ENDSHIELD  
PAINTED FRAME ID & SHAFT,  
FAN COVER INSIDE & ODE E/S OUTSIDE  
ROUTINE AND 5 POINT VIBRATION TESTS INCL IN C/BOX  
GROUND SCREW ON FRAME  
ROTATE D.E. E/SHIELD 90 DEG. PER OUTLINE  
SHAFT RUNOUT LIMIT .001" TIR  
OIL RESISTANT SLEEVING ON LEADS



**Performance Characteristics**

1st Winding 1st Connection

**Design: 21BD0226A**

**Marks:**

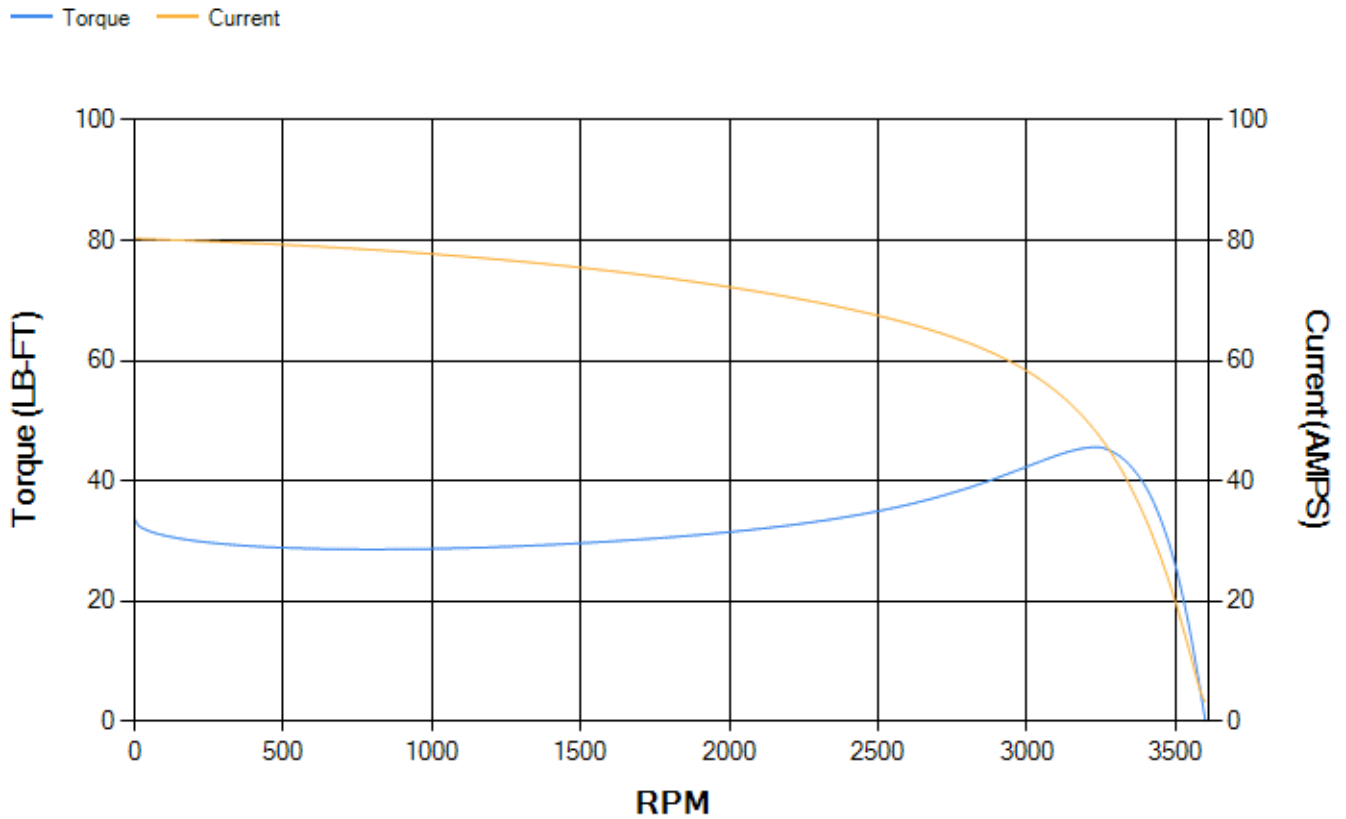
LOAD %	125.0	115.0	100.0	75.0	50.0	25.0	0.0
% EFF	89.41	89.96	90.85	91.36	91.03	87.27	0.00
% PF	90.27	90.19	89.71	87.47	81.2	62.4	8.91
AMPS	14.5	13.27	11.47	8.78	6.33	4.3	3.2

<b>TORQ(FL)#FT</b>	14.87	<b>TORQ(LR)%FL</b>	225.98	<b>TORQ(BD)%FL</b>	304.23
<b>AMPS(LR)</b>	80.29	<b>PF AT START</b>	0.37		

This motor is capable of two cold or one hot start with a maximum connected load inertia of 84 Lb-Ft Sq (3.54 Kg-meter Sq)at 100% voltage, where the load torque varies with the square of the speed. Acceleration time with maximum inertia and the above load type is 35 seconds. Safe stall time at 100% voltage is 64 seconds cold, 42 seconds hot. Rotor inertia is 0.42 Lb-Ft Sq (0.02 Kg-meter Sq).

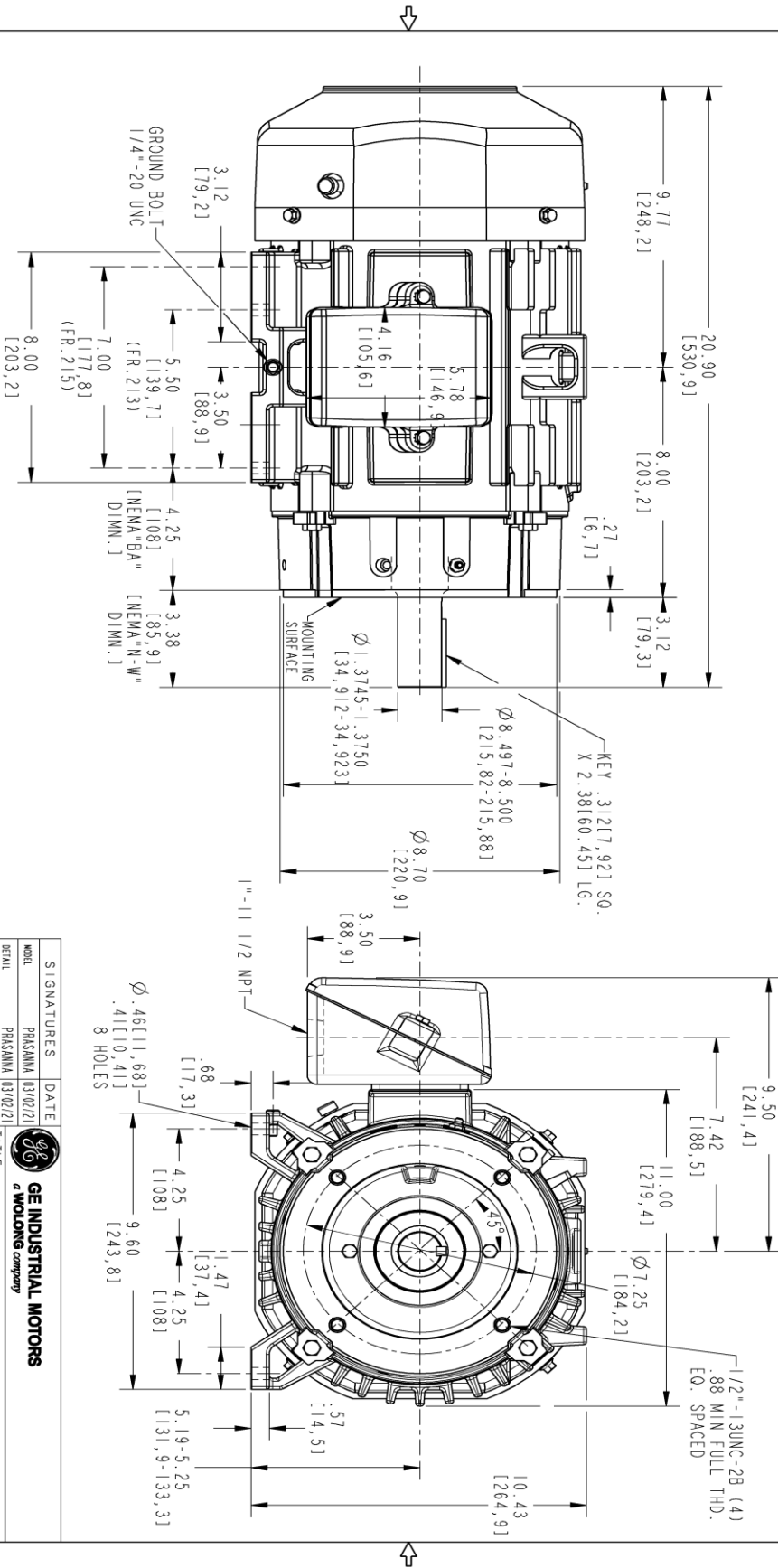
<b>Open Circuit A-C:</b>	0.494	<b>Short Circuit D-C:</b>	0.01
<b>Short Circuit A-C:</b>	0.017	<b>X/R Ratio:</b>	3.763
<b>Stator Slots:</b>	36	<b>Rotor Slots:</b>	26

**Speed Torque Current Curve (First Connection, First Speed)**



Marks:

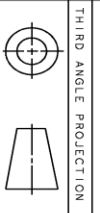
- NOTE 1: CONDUIT BOX MAY BE ASSEMBLED WITH ENTRANCE UP, DOWN OR TO EITHER SIDE.
- NOTE 2: F1 ASSEMBLY AS SHOWN.
- NOTE 3: MOUNTING SURFACES WILL BE SQUARE AND CONCENTRIC WITH SHAFT WITHIN .004 T.I.R.
- NOTE 4: D.E. ENDSHIELD ROTATED 90° COUNTER CLOCKWISE.
- NOTE 5: ALL DIMENSIONS ARE IN INCHES, BRACKETED DIMENSIONS ARE IN METRIC (MILLIMETERS)



PROPRIETARY INFORMATION  
 © COPYRIGHT 2018 Wolog Electric America LLC AND/OR ITS AFFILIATES.  
 All rights reserved. This document and the information it contains is the property of Wolog Electric America LLC and/or its affiliates. It has been provided solely for the use of the customer for whom it is intended. No other use, reproduction, transmission, or distribution of this document and/or the information it contains is strictly prohibited except as expressly authorized in writing by Wolog Electric America LLC.

REV.	DESCRIPTION	DATE	APPROVED

SIZE: DRAWING NO.	B	4002B5821PBP5820	000
REV	1	REVISIONS	



THIRD ANGLE PROJECTION

SIGNATURES	DATE	<p><b>GE INDUSTRIAL MOTORS</b>                  a Wolog company</p> <p><b>INDUCTION MOTOR OUTLINE</b>                  XSD ULTRA, "C" FACE AT DE (85° RABBIT)                  FR. 23TC/25 TC TERC. GROUND PAD</p> <p><b>4002B5821PBP5820</b></p>
MODEL	03/02/21	
DETAIL	03/02/21	
CREATED	03/02/21	
CHKD	03/02/21	
QUALITY	03/02/21	SCALE: 0.300
ISSUED	03/02/21	REF. No.: 4002B5821PBP5311
SOLID MODEL: 4002B5821PBP5820		SHEET 1 OF 1

**Marks:**

**Connection Diagram**  
**GEM2034E-FIG1**



End shield Assembly		
Part Description	DE Side Part#	ODE Side Part#
End Shield	128D6006YB1	4004D5282SJ1
Bearing	235A2507EB01	235A2503AE01
Slinger/Inproseal	149C4399G02	149C4399G01

Fan & Fan Cover Assembly	
Part Description	Part#
Fan	159C6704G01
Fan Cover	4003C5787PA1

Conduit & Accessories Box Assembly	
Part Description	Part#
Conduit Box	4002B5721PA-G01

Mechanical Accessories	
Part Description	Part#
Brake	
Tachometer	

