

**marathon**<sup>®</sup>  
Motors



# MARATHON<sup>®</sup> ELECTRIC MOTORS 143/145 FRAME BROCHURE

**REGAL**<sup>®</sup>

# MOTORS FOR TOUGH APPLICATION



## GLOBETROTTER® 140 FRAME MOTOR

### 143/145T FRAME

- IP22 DP Rolled Steel
- IP43 TEFC Rolled Steel
- IP55 TEFC Cast Iron
- Meets or exceeds NEMA Premium®\* efficiencies
- NEMA Premium models are in compliance with EISA2007
- General purpose design
- 3-PH 60HZ 230/460V
- 50HZ 190/380V at next lower HP
- 60HZ 575V available as listed
- 0.75HP to 3HP 3600 RPM
- 0.75HP to 2HP 1800 RPM
- 0.75HP & 1HP 1200 RPM
- Inverter duty 10:1 variable torque and 2:1 constant torque,
- 1.15 service factor on Sine Wave Power 1.0 SF on Inverter Power
- MAX GUARD® Class F insulation system
- Division 2 Class 1 groups A,B,C,D this is for TEFC models, T2B temp code
- Dynamically balanced rotors
- F1/F2 compatible
- Steel conduit box
- Dual Frame Mounting
- Removeable Base (bolt on/off)
- Double C-Face (brake/encoder kits available TEFC only)
- Bearing lock tabs standard
- Bearing Caps for C-Face Models
- Class F Insulation System
- Modifications: BCP™, all angle mount drains, terminal blocks, brake and encoder, c-face and many more
- 3 year warranty
- UL®\* listed, UL certified for Canada and CE®\* mark

#### NOTES:

GT 143T/145T RS frame will have 56 RS frame mounting holes in feet.  
No 140 frame D-Flange kits available.  
HP Range is ¾ to 3HP 2P, ¾ to 2HP 4P and ¾ to 1HP 6P.  
Removeable base.  
BCP available as modification/kit.

\*The following trademarks are not owned by, or under the control of Regal Beloit Corporation: CE is a trademark or tradename of European Unions; NEMA Premium is a trademarks of National Electrical Manufacturers Association; UL is a trademark or trade name of Underwriters Laboratories.



## XRI®-SEVERE DUTY 140 FRAME CAST IRON SEVERE DUTY MOTOR

### 143/145T FRAME

- IP55
- TEFC Cast Iron
- Meets or exceeds NEMA Premium efficiencies
- NEMA Premium models are in compliance with EISA2007
- General purpose design
- 3-PH 60HZ 230/460V
- 50HZ 190/380V at next lower HP
- 60HZ 575V available as listed
- 0.75HP to 3HP 3600 RPM
- 0.75HP to 2HP 1800 RPM
- 0.75HP & 1HP 1200 RPM
- Inverter duty 10:1 variable torque and 2:1 constant torque,
- 1.15 service factor on Sine Wave Power 1.0 SF on Inverter Power
- MAX GUARD Class F insulation system
- Dynamically balanced rotors
- Division 2 Class 1 groups A,B,C,D, T2B temp code
- F1/F2 compatible
- All angle mounting
- Drains/Breathers
- Dual frame mounting
- Removeable base (bolt on/off)
- Double C-Face (brake/encoder kits)
- Terminal block kits available
- Cast iron conduit box with Rolled Steel box kits available
- C-Face modification kits available
- BCP available as a modification
- Bearing Caps standard
- Regreasable bearings
- Class F insulation system
- 3 year warranty
- UL listed, UL certified for Canada and CE mark

#### NOTES:

HP Range is ¾ to 3HP 2P, ¾ to 2HP 4P, and ¾ to 1HP 6P.  
BCP not available with Div 2



## XRI®-IEEE-841 140 FRAME CAST IRON IEEE-841 MOTOR

### 143/145T FRAME

- IP56 TEFC Cast Iron
- Meets or exceeds NEMA Premium®\* efficiencies
- NEMA Premium models are in compliance with EISA2007
- General purpose design
- 3-PH 60HZ 230/460V
- 50HZ 190/380V at next lower HP
- 60HZ 575V available as listed
- 0.75HP to 3HP 3600 RPM
- 0.75HP to 2HP 1800 RPM
- 0.75HP & 1HP 1200 RPM
- Inverter duty 10:1 variable torque and 2:1 constant torque,
- 1.15 service factor on Sine Wave Power 1.0 SF on Inverter Power
- MAX GUARD® Class F insulation system
- Dynamically balanced rotors
- Division 2 Class 1 groups A,B,C,D, T2B temp code
- F1/F2 compatible
- All angle mounting
- Drains/ breathers
- Dual frame mounting
- Removeable base (bolt on/off)
- Double C-Face (brake/encoder kits)
- Terminal block kits available
- Cast iron conduit box with RS box kits available
- C-Face modification kits available
- BCP™ available as a modification
- Bearing caps standard
- Regreasable bearings
- 3 year warranty
- UL®\* listed, UL certified for Canada and CE®\* mark

#### NOTES:

140 frame D-Flange kits not available.  
BCP™ not available with Div 2



## CLOSE COUPLED PUMP (CCP) JM DRIPPROOF, C-FACE FOOTLESS (VERTICAL) C-FACE FOOTED (RIGID BASE) MOTORS

- IP22 DP Rolled Steel
- IP43 TEFC Rolled Steel
- IP55 TEFC Cast Iron
- Meets or exceeds NEMA Premium efficiencies
- NEMA Premium models are in compliance with EISA2007
- 200, 230/460 and 575 voltages
- Suitable for use on a VFD. 10:1 variable torque and 2:1 constant torque
- 1.15 service factor on sinewave, 1.0 service factor on Inverter power
- NEMA®\* JM pump shaft dimensions
- C-Face Footless models include drip cover
- C-Face Footed models have a removable base
- Ball bearings, mechanically locked on shaft end
- Class F Insulation (except as noted)
- Dual rated motors are nameplated 60/50 hertz, 190/380 volts at next lower HP
- Standard assembly F1, reversible to F2 assembly (except as noted)
- UL listed, UL certified for Canada and CE mark

\*The following trademarks are not owned by, or under the control of Regal Beloit Corporation: CE is a trademark or tradename of European Unions; NEMA and NEMA Premium are trademarks of National Electrical Manufacturers Association; UL is a trademark or trade name of Underwriters Laboratories.



# MOTORS FOR TOUGH APPLICATION



## CLOSE COUPLED PUMP (CCP) JP DRIPPROOF, C-FACE FOOTLESS (VERTICAL) C-FACE FOOTED (RIGID BASE) MOTORS

- IP22 DP Rolled Steel
- IP43 TEFC Rolled Steel
- IP55 TEFC Cast Iron
- 200, 230/460 and 575 voltages
- Meets or exceeds NEMA Premium® efficiencies
- NEMA Premium models are in compliance with EISA2007
- Suitable for use on a VFD. 10:1 variable torque and 2:1 constant torque
- 1.15 service factor on sinewave, 1.0 service factor on Inverter power
- NEMA® JP pump shaft dimensions
- C-Face Footless models include drip cover
- C-Face Footed models have a removable base
- Ball bearings, mechanically locked on shaft end
- Class F Insulation (except as noted)
- Dual rated motors are nameplated 60/50 hertz, 190/380 volts at next lower HP
- Standard assembly F1, reversible to F2 assembly (except as noted)
- UL® listed, UL certified for Canada and CE® mark



## MICROMAX® MOTORS TOTALLY ENCLOSED, THREE PHASE INVERTER DUTY MOTORS

- 1000:1 CONSTANT TORQUE (TENV)
- 20:1 CONSTANT TORQUE (TEFC)
- Constant horsepower to twice base speed (RPM)
- Designed to replace PMDC motors (when used with a VFD)
- Class H insulation with CR200 corona resistant magnet wire
- Removable base for C-Face footless mounting, as noted
- Continuous duty at 40°C ambient
- "Quick Connect" terminal board, as noted
- Top mounted conduit box as found on PMDC motors
- Eliminates brush and commutator maintenance
- UL listed, UL certified for Canada and CE mark
- 3 year warranty



## BLACK MAX® MOTORS THREE PHASE INVERTER DUTY MOTORS

- 1000:1 CONSTANT TORQUE (TENV)
- Constant torque operation from 0 to base speed on vector drive
- Constant horsepower operation up to twice base RPM
- MAX GUARD® Class F insulation system
- Continuous duty at 40°C ambient
- Optimized for operation with IGBT inverter (NEMA® Design A)
- Normally closed thermostats (one per phase, Class F)
- C-Face foot mount
- Ball bearings
- Encoder provisions included on opposite drive end (see modification and/or accessory kits sections)
- UL® listed, UL certified for Canada and CE® mark
- 3 year warranty



## BLUE MAX® 2000 MOTORS TOTALLY ENCLOSED, THREE PHASE INVERTER DUTY MOTORS

- 2000:1 CONSTANT TORQUE
- Constant torque operation from 0 to base speed on vector drive
- Constant horsepower operation to twice base speed
- MAX GUARD Class F insulation system
- Optimized for operation with IGBT inverter
- Bearing current protection (BCP™), mounted internally
- C-Face foot mount
- Normally closed thermostats (one per phase, Class F)
- Continuous duty at 40° C ambient
- 1.0 service factor ("B" rise on TEBC motors)
- Cast Iron frame and brackets
- Ball bearings
- Field reversible to F2
- Encoder provisions included on opposite drive end (see modification and/or accessory kits sections)
- UL listed, UL certified for Canada and CE mark
- 3 year warranty

## MARATHON® AXIAL AND RADIAL BLOWER MOTORS

Most vector drive applications use Axial and Radial blowers with low rotational speeds, causing motor overheating. The Marathon Motors offers Axial and Radial blower units that can suit varied application requirements. The axial blower is available on XRI® and XRI-Severe Duty motors. For the blower motors features, see the features listed based on Rolled Steel construction or Cast Iron construction for these items.

\*The following trademarks are not owned or under the control of Regal Beloit Corporation: CE is a trademark or tradename of European Unions; NEMA and NEMA Premium are trademarks of National Electrical Manufacturers Association; UL is a trademark or trade name of Underwriters Laboratories.

\*The following trademarks are not owned or under the control of Regal Beloit Corporation: CE is a trademark or tradename of European Unions; NEMA is a trademark of National Electrical Manufacturers Association; UL is a trademark or trade name of Underwriters Laboratories.



# GLOBETROTTER® MOTOR

HP	RPM	VOLTS	ENCLOSURE	CONSTRUCTION	MOUNTING	FRAME	MARATHON CAT.	MARATHON MODEL	LIST PRICE (\$)	MULTI. SYMBOL
1	3600	230/460	ODP	Rolled Steel	Rigid	143T	GT0000	143TTDBD16001	\$665	E1
	1800	200	ODP	Rolled Steel	Rigid	143T	GT0801	143TTDBD6039	\$715	E1
	1800	230/460	ODP	Rolled Steel	Rigid	143T	GT0001	143TTDBD6026	\$715	E1
	1800	575	ODP	Rolled Steel	Rigid	143T	GT0101	143TTDBD6030	\$715	E1
	1200	230/460	ODP	Rolled Steel	Rigid	145T	GT0002	145TTDBD6076	\$799	E1
	1200	575	ODP	Rolled Steel	Rigid	145T	GT0102	145TTDBD6079	\$799	E1
1.5	3600	230/460	ODP	Rolled Steel	Rigid	143T	GT0003	143TTDBD6001	\$720	E1
	1800	200	ODP	Rolled Steel	Rigid	145T	GT0804	145TTDBD6039	\$770	E1
	1800	230/460	ODP	Rolled Steel	Rigid	145T	GT0004	145TTDBD16026	\$770	E1
	1800	575	ODP	Rolled Steel	Rigid	145T	GT0104	145TTDBD6030	\$770	E1
2	3600	230/460	ODP	Rolled Steel	Rigid	145T	GT0006	145TTDBD16001	\$794	E1
	1800	200	ODP	Rolled Steel	Rigid	145T	GT0807	145TTDBD16039	\$844	E1
	1800	230/460	ODP	Rolled Steel	Rigid	145T	GT0007	145TTDBD6026	\$844	E1
	1800	575	ODP	Rolled Steel	Rigid	145T	GT0107	145TTDBD16030	\$844	E1
3	3600	230/460	ODP	Rolled Steel	Rigid	145T	GT0009	145TTDBD6001	\$859	E1
1	3600	200	TEFC	Rolled Steel	Rigid	143T	GT1850	143TTFBD16000	\$725	E1
	3600	200	TEFC	Cast Iron	Rigid	143T	GT1800	143TTFCD16000	\$767	E1
	3600	230/460	TEFC	Rolled Steel	Rigid	143T	GT1500	143TTFBD16002	\$725	E1
	3600	230/460	TEFC	Cast Iron	Rigid	143T	GT1000	143TTFCD16001	\$767	E1
	3600	575	TEFC	Cast Iron	Rigid	143T	GT1100	143TTFCD16005	\$767	E1
	1800	200	TEFC	Rolled Steel	Rigid	143T	GT1851	143TTFBD6039	\$817	E1
	1800	200	TEFC	Cast Iron	Rigid	143T	GT1801	143TTFCD6039	\$852	E1
	1800	230/460	TEFC	Rolled Steel	Rigid	143T	GT1501	143TTFBD6027	\$817	E1
	1800	230/460	TEFC	Cast Iron	Rigid	143T	GT1001A	143TTFCD6026	\$852	E1
	1800	575	TEFC	Cast Iron	Rigid	143T	GT1101A	143TTFCD6030	\$852	E1
	1200	200	TEFC	Rolled Steel	Rigid	145T	GT1852	145TTFBD6089	\$825	E1
	1200	200	TEFC	Cast Iron	Rigid	145T	GT1802	145TTFCD6089	\$885	E1
	1200	230/460	TEFC	Rolled Steel	Rigid	145T	GT1502	145TTFBD6080	\$825	E1
	1200	230/460	TEFC	Cast Iron	Rigid	145T	GT1002	145TTFCD6076	\$885	E1
	1200	575	TEFC	Cast Iron	Rigid	145T	GT1102A	145TTFCD6080	\$885	E1
	1.5	3600	200	TEFC	Rolled Steel	Rigid	143T	GT1853	143TTFBD6000	\$817
3600		200	TEFC	Cast Iron	Rigid	143T	GT1803	143TTFCD6000	\$899	E1
3600		230/460	TEFC	Rolled Steel	Rigid	143T	GT1503	143TTFBD6002	\$817	E1
3600		230/460	TEFC	Cast Iron	Rigid	143T	GT1003A	143TTFCD6001	\$899	E1
3600		575	TEFC	Cast Iron	Rigid	143T	GT1103A	143TTFCD6005	\$899	E1
1800		200	TEFC	Rolled Steel	Rigid	145T	GT1854	145TTFBD6039	\$825	E1
1800		200	TEFC	Cast Iron	Rigid	145T	GT1804	145TTFCD6039	\$867	E1
1800		230/460	TEFC	Rolled Steel	Rigid	145T	GT1504	145TTFBD6027	\$825	E1
1800		230/460	TEFC	Cast Iron	Rigid	145T	GT1004A	145TTFCD6026	\$867	E1
1800		575	TEFC	Cast Iron	Rigid	145T	GT1104A	145TTFCD6030	\$867	E1
2	3600	200	TEFC	Rolled Steel	Rigid	145T	GT1856	145TTFBD6000	\$875	E1
	3600	200	TEFC	Cast Iron	Rigid	145T	GT1806	145TTFCD6000	\$916	E1
	3600	230/460	TEFC	Rolled Steel	Rigid	145T	GT1506	145TTFBD6002	\$885	E1
	3600	230/460	TEFC	Cast Iron	Rigid	145T	GT1006A	145TTFCD6001	\$916	E1
	3600	575	TEFC	Cast Iron	Rigid	145T	GT1106	145TTFCD6005	\$916	E1
	1800	200	TEFC	Rolled Steel	Rigid	145T	GT1857	145TTFBD16039	\$854	E1
	1800	200	TEFC	Cast Iron	Rigid	145T	GT1807	145TTFCD16039	\$906	E1

# GLOBETROTTER® MOTOR

HP	RPM	VOLTS	ENCLOSURE	CONSTRUCTION	MOUNTING	FRAME	MARATHON CAT.	MARATHON MODEL	LIST PRICE (\$)	MULTI. SYMBOL
2	1800	230/460	TEFC	Rolled Steel	Rigid	145T	GT1507	145TTFBD16027	\$854	E1
	1800	230/460	TEFC	Cast Iron	Rigid	145T	GT1007A	145TTFCD16026	\$906	E1
	1800	575	TEFC	Cast Iron	Rigid	145T	GT1107A	145TTFCD16030	\$906	E1
1	3600	230/460	TEFC	Rolled Steel	Rigid C-Face	143TC	GT1200	143TTFBD16003	\$905	E1
	3600	575	TEFC	Rolled Steel	Rigid C-Face	143TC	GT1400	143TTFBD16007	\$905	E1
	1800	230/460	TEFC	Rolled Steel	Rigid C-Face	143TC	GT1201A	143TTFBD6028	\$940	E1
	1800	575	TEFC	Rolled Steel	Rigid C-Face	143TC	GT1401A	143TTFBD6030	\$940	E1
	1200	230/460	TEFC	Rolled Steel	Rigid C-Face	145TC	GT1202A	145TTFBD6078	\$1,079	E1
1.5	3600	230/460	TEFC	Rolled Steel	Rigid C-Face	143TC	GT1203A	143TTFBD6003	\$949	E1
	3600	575	TEFC	Rolled Steel	Rigid C-Face	143TC	GT1403A	143TTFBD6007	\$949	E1
	1800	230/460	TEFC	Rolled Steel	Rigid C-Face	145TC	GT1204A	145TTFBD6028	\$979	E1
	1800	575	TEFC	Rolled Steel	Rigid C-Face	145TC	GT1404A	145TTFBD6030	\$979	E1
	3600	230/460	TEFC	Rolled Steel	Rigid C-Face	145TC	GT1206A	145TTFBD6003	\$1,018	E1
2	3600	575	TEFC	Rolled Steel	Rigid C-Face	145TC	GT1406A	145TTFBD6007	\$1,018	E1
	1800	230/460	TEFC	Rolled Steel	Rigid C-Face	145TC	GT1207A	145TTFBD16028	\$1,073	E1
	1800	575	TEFC	Rolled Steel	Rigid C-Face	145TC	GT1407A	145TTFBD16030	\$1,073	E1
	3600	230/460	ODP	Rolled Steel	Rigid C-Face	143TC	GT0200	143TTDBD16003	\$719	E1
1	1800	230/460	ODP	Rolled Steel	Rigid C-Face	143TC	GT0201	143TTDBD6028	\$758	E1
	1800	575	ODP	Rolled Steel	Rigid C-Face	143TC	GT2101	143TTDBD6035	\$758	E1
	3600	230/460	ODP	Rolled Steel	Rigid C-Face	143TC	GT0203	143TTDBD6003	\$758	E1
1.5	1800	230/460	ODP	Rolled Steel	Rigid C-Face	145TC	GT0204	145TTDBD6028	\$747	E1
	1800	575	ODP	Rolled Steel	Rigid C-Face	145TC	GT2104	145TTDBD6035	\$747	E1
	3600	230/460	ODP	Rolled Steel	Rigid C-Face	145TC	GT0206	145TTDBD6003	\$904	E1
2	1800	230/460	ODP	Rolled Steel	Rigid C-Face	145TC	GT0207	145TTDBD16028	\$781	E1
	1800	575	ODP	Rolled Steel	Rigid C-Face	145TC	GT2107	145TTDBD16035	\$781	E1
3	3600	230/460	ODP	Rolled Steel	Rigid C-Face	145TC	GT0209	145TTDBD16003	\$1,035	E1

# GLOBETROTTER® BCP™ MOTORS

HP	RPM	VOLTS	ENCLOSURE	CONSTRUCTION	MOUNTING	FRAME	MARATHON CAT.	MARATHON MODEL	LIST PRICE (\$)	MULTI. SYMBOL
1	3600	230/460	ODP-BCP	Rolled Steel	Rigid	143T	GT0000-P	143TTDBD16002	\$745	E1
	1800	230/460	ODP-BCP	Rolled Steel	Rigid	143T	GT0001-P	143TTDBD6070	\$801	E1
	1200	230/460	ODP-BCP	Rolled Steel	Rigid	145T	GT0002-P	145TTDBD6078	\$895	E1
1.5	3600	230/460	ODP-BCP	Rolled Steel	Rigid	143T	GT0003-P	143TTDBD6002	\$806	E1
	1800	230/460	ODP-BCP	Rolled Steel	Rigid	145T	GT0004-P	145TTDBD6070	\$862	E1
2	3600	230/460	ODP-BCP	Rolled Steel	Rigid	145T	GT0006-P	145TTDBD6002	\$889	E1
	1800	230/460	ODP-BCP	Rolled Steel	Rigid	145T	GT0007-P	145TTDBD16070	\$945	E1
3	3600	230/460	ODP-BCP	Rolled Steel	Rigid	145T	GT0009-P	145TTDBD16002	\$962	E1
1	3600	230/460	TEFC-BCPF3	Rolled Steel	Rigid C-Face	143T	GT1274	143TTFBD16015	\$905	E1
	1800	230/460	TEFC-BCPF3	Rolled Steel	Rigid C-Face	143T	GT1275	143TTFBD6035	\$940	E1
	1200	230/460	TEFC-BCPF3	Rolled Steel	Rigid C-Face	145T	GT1276	145TTFBD6077	\$1,079	E1
1.5	3600	230/460	TEFC-BCPF3	Rolled Steel	Rigid C-Face	143T	GT1279	143TTFBD6015	\$949	E1
	1800	230/460	TEFC-BCPF3	Rolled Steel	Rigid C-Face	145T	GT1280	145TTFBD6035	\$979	E1
2	3600	230/460	TEFC-BCPF3	Rolled Steel	Rigid C-Face	145T	GT1284	145TTFBD6015	\$1,018	E1
	1800	230/460	TEFC-BCPF3	Rolled Steel	Rigid C-Face	145T	GT1285	145TTFBD16035	\$1,073	E1

## SEVERE DUTY & IEEE841 MOTORS

For further information regarding Severe duty and IEEE841 motors, please see MCC20008E MB0073E Catalog through this link:  
<https://regalbeloitliterature.callmss.com/literature.php>

## CLOSED COUPLED PUMP JM MOTORS

HP	RPM	VOLTS	ENCLOSURE	CONSTRUCTION	MOUNTING	FRAME	MARATHON CAT.	MARATHON MODEL	LIST PRICE (\$)	MULTI. SYMBOL
1	3600	200	ODP	Rolled Steel	Rigid	143JM	GT2000	143TTDBD16006	\$755	S2
	3600	200	ODP	Rolled Steel	Rigid	143JMV	GT4000	143TTDBD16010	\$755	S2
	3600	230/460	ODP	Rolled Steel	Rigid	143JM	GT0400	143TTDBD16007	\$755	S2
	3600	230/460	ODP	Rolled Steel	Rigid	143JMV	GT4100	143TTDBD16014	\$755	S2
	3600	575	ODP	Rolled Steel	Rigid	143JM	GT0500	143TTDBD16008	\$755	S2
	3600	575	ODP	Rolled Steel	Rigid	143JMV	GT4200	143TTDBD16016	\$755	S2
	1800	200	ODP	Rolled Steel	Rigid	143JM	GT2001A	143TTDBD16031	\$796	S2
	1800	200	ODP	Rolled Steel	Rigid	143JMV	GT4001A	143TTDBD6036	\$796	S2
	1800	230/460	ODP	Rolled Steel	Rigid	143JM	GT0401A	143TTDBD6032	\$796	S2
	1800	230/460	ODP	Rolled Steel	Rigid	143JMV	GT4101A	143TTDBD6044	\$796	S2
	1800	575	ODP	Rolled Steel	Rigid	143JM	GT0501A	143TTDBD6033	\$796	S2
	1800	575	ODP	Rolled Steel	Rigid	143JMV	GT4201A	143TTDBD6042	\$796	S2
1.5	1200	200	ODP	Rolled Steel	Rigid	145JM	GT2002	145TTDBD6080	\$1,123	S2
	1200	200	ODP	Rolled Steel	Rigid	145JMV	GT4002	145TTDBD6087	\$1,123	S2
	1200	230/460	ODP	Rolled Steel	Rigid	145JM	GT0402	145TTDBD6082	\$1,123	S2
	1200	230/460	ODP	Rolled Steel	Rigid	145JMV	GT4102	145TTDBD6083	\$1,123	S2
	1200	575	ODP	Rolled Steel	Rigid	145JM	GT0502	145TTDBD6092	\$1,123	S2
	1200	575	ODP	Rolled Steel	Rigid	145JMV	GT4202	145TTDBD6093	\$1,123	S2
	3600	200	ODP	Rolled Steel	Rigid	143JM	GT2003A	143TTDBD6006	\$846	S2
	3600	200	ODP	Rolled Steel	Rigid	143JMV	GT4003A	143TTDBD6010	\$846	S2
2	3600	230/460	ODP	Rolled Steel	Rigid	143JM	GT0403A	143TTDBD6007	\$846	S2
	3600	230/460	ODP	Rolled Steel	Rigid	143JMV	GT4103A	143TTDBD6014	\$846	S2
	1800	200	ODP	Rolled Steel	Rigid	145JM	GT2004A	145TTDBD6031	\$806	S2
	1800	200	ODP	Rolled Steel	Rigid	145JMV	GT4004A	145TTDBD6036	\$806	S2
	1800	230/460	ODP	Rolled Steel	Rigid	145JM	GT0404A	145TTDBD6032	\$806	S2
	1800	230/460	ODP	Rolled Steel	Rigid	145JMV	GT4104A	145TTDBD6044	\$806	S2
	3600	200	ODP	Rolled Steel	Rigid	145JM	GT2009A	145TTDBD16006	\$1,062	S2
	3600	200	ODP	Rolled Steel	Rigid	145JMV	GT4009A	145TTDBD16010	\$1,062	S2
3	3600	230/460	ODP	Rolled Steel	Rigid	145JM	GT0409A	145TTDBD16007	\$1,062	S2
	3600	230/460	ODP	Rolled Steel	Rigid	145JMV	GT4109A	145TTDBD16014	\$1,062	S2
	3600	575	ODP	Rolled Steel	Rigid	145JM	GT0509A	145TTDBD16008	\$1,062	S2
	3600	575	ODP	Rolled Steel	Rigid	145JMV	GT4209A	145TTDBD16016	\$1,062	S2
	3600	200	TEFC	Rolled Steel	Rigid	143JM	GT3000	143TTFBD16010	\$950	S2
	3600	200	TEFC	Rolled Steel	Rigid	143JMV	GT5000	143TTFBD16009	\$950	S2
1	3600	230/460	TEFC	Rolled Steel	Rigid	143JM	GT3100	143TTFBD16006	\$950	S2
	3600	230/460	TEFC	Rolled Steel	Rigid	143JMV	GT5100	143TTFBD16014	\$950	S2
	3600	575	TEFC	Rolled Steel	Rigid	143JM	GT3200	143TTFBD16008	\$950	S2
	3600	575	TEFC	Rolled Steel	Rigid	143JMV	GT5200	143TTFBD16016	\$950	S2
	1800	200	TEFC	Rolled Steel	Rigid	143JM	GT3001A	143TTFBD6041	\$944	S2
	1800	200	TEFC	Rolled Steel	Rigid	143JMV	GT5001A	143TTFBD6032	\$944	S2
	1800	230/460	TEFC	Rolled Steel	Rigid	143JM	GT3101A	143TTFBD6031	\$944	S2
	1800	230/460	TEFC	Rolled Steel	Rigid	143JMV	GT5101A	143TTFBD6040	\$944	S2
	1800	575	TEFC	Rolled Steel	Rigid	143JM	GT3201A	143TTFBD6033	\$944	S2
	1800	575	TEFC	Rolled Steel	Rigid	143JMV	GT5201A	143TTFBD6042	\$944	S2

## CLOSED COUPLED PUMP JM MOTORS

HP	RPM	VOLTS	ENCLOSURE	CONSTRUCTION	MOUNTING	FRAME	MARATHON CAT.	MARATHON MODEL	LIST PRICE (\$)	MULTI. SYMBOL
1	1200	200	TEFC	Rolled Steel	Rigid	145JM	GT3002	145TTFBD6081	\$1,132	S2
	1200	200	TEFC	Rolled Steel	Rigid	145JMV	GT5002	145TTFBD6087	\$1,132	S2
	1200	230/460	TEFC	Rolled Steel	Rigid	145JM	GT3102A	145TTFBD6082	\$1,132	S2
	1200	230/460	TEFC	Rolled Steel	Rigid	145JMV	GT5102	145TTFBD6083	\$1,132	S2
	1200	575	TEFC	Rolled Steel	Rigid	145JM	GT3202A	145TTFBD6092	\$1,132	S2
	1200	575	TEFC	Rolled Steel	Rigid	145JMV	GT5202	145TTFBD6093	\$1,132	S2
1.5	3600	200	TEFC	Rolled Steel	Rigid	143JM	GT3003A	143TTFBD6010	\$1,109	S2
	3600	200	TEFC	Rolled Steel	Rigid	143JMV	GT5003A	143TTFBD6009	\$1,109	S2
	3600	230/460	TEFC	Rolled Steel	Rigid	143JM	GT3103A	143TTFBD6006	\$1,109	S2
	3600	230/460	TEFC	Rolled Steel	Rigid	143JMV	GT5103A	143TTFBD6014	\$1,109	S2
	3600	575	TEFC	Rolled Steel	Rigid	143JM	GT3203A	143TTFBD6008	\$1,109	S2
	3600	575	TEFC	Rolled Steel	Rigid	143JMV	GT5203A	143TTFBD6016	\$1,109	S2
	1800	200	TEFC	Rolled Steel	Rigid	145JM	GT3004A	145TTFBD6041	\$1,035	S2
	1800	200	TEFC	Rolled Steel	Rigid	145JMV	GT5004A	145TTFBD6032	\$1,035	S2
	1800	230/460	TEFC	Rolled Steel	Rigid	145JM	GT3104A	145TTFBD6031	\$1,035	S2
	1800	230/460	TEFC	Rolled Steel	Rigid	145JMV	GT5104A	145TTFBD6040	\$1,035	S2
	1800	575	TEFC	Rolled Steel	Rigid	145JM	GT3204A	145TTFBD6033	\$1,035	S2
	1800	575	TEFC	Rolled Steel	Rigid	145JMV	GT5204A	145TTFBD6042	\$1,035	S2
2	3600	200	TEFC	Rolled Steel	Rigid	145JM	GT3006A	145TTFBD6010	\$1,202	S2
	3600	200	TEFC	Rolled Steel	Rigid	145JMV	GT5006A	145TTFBD6009	\$1,202	S2
	3600	230/460	TEFC	Rolled Steel	Rigid	145JM	GT3106A	145TTFBD6006	\$1,202	S2
	3600	230/460	TEFC	Rolled Steel	Rigid	145JMV	GT5106A	145TTFBD6014	\$1,202	S2
	3600	575	TEFC	Rolled Steel	Rigid	145JM	GT3206A	145TTFBD6008	\$1,202	S2
	3600	575	TEFC	Rolled Steel	Rigid	145JMV	GT5206A	145TTFBD6016	\$1,202	S2
	1800	200	TEFC	Rolled Steel	Rigid	145JM	GT3007A	145TTFBD16041	\$1,082	S2
	1800	200	TEFC	Rolled Steel	Rigid	145JMV	GT5007A	145TTFBD16032	\$1,082	S2
	1800	230/460	TEFC	Rolled Steel	Rigid	145JM	GT3107A	145TTFBD16031	\$1,082	S2
	1800	230/460	TEFC	Rolled Steel	Rigid	145JMV	GT5107A	145TTFBD16040	\$1,082	S2
	1800	575	TEFC	Rolled Steel	Rigid	145JM	GT3207A	145TTFBD16033	\$1,082	S2
	1800	575	TEFC	Rolled Steel	Rigid	145JMV	GT5207A	145TTFBD16042	\$1,082	S2
3	3600	200	TEFC	Rolled Steel	Rigid	145JM	GT3087	145TTFBD6010	\$1,274	S2
	3600	200	TEFC	Rolled Steel	Rigid	145JMV	GT5087	145TTFBD16009	\$1,274	S2
	3600	230/460	TEFC	Rolled Steel	Rigid	145JM	GT3187	145TTFBD16006	\$1,274	S2
	3600	230/460	TEFC	Rolled Steel	Rigid	145JMV	GT5187	145TTFBD16014	\$1,274	S2
	3600	575	TEFC	Rolled Steel	Rigid	145JM	GT3287	145TTFBD16008	\$1,274	S2
	3600	575	TEFC	Rolled Steel	Rigid	145JMV	GT5287	145TTFBD16016	\$1,274	S2

## CLOSED COUPLED PUMP JP MOTORS

HP	RPM	VOLTS	ENCLOSURE	CONSTRUCTION	MOUNTING	FRAME	MARATHON CAT.	MARATHON MODEL	LIST PRICE (\$)	MULTI. SYMBOL
1	3600	200	ODP	Rolled Steel	Rigid	143JP	GT2300	143TTDBD16011	\$755	S2
	3600	200	ODP	Rolled Steel	Rigid	143JPV	GT4300	143TTDBD16017	\$755	S2
	3600	230/460	ODP	Rolled Steel	Rigid	143JP	GT2400	143TTDBD16012	\$755	S2
	3600	230/460	ODP	Rolled Steel	Rigid	143JPV	GT4400	143TTDBD16018	\$755	S2
	3600	575	ODP	Rolled Steel	Rigid	143JP	GT2500	143TTDBD16013	\$755	S2
	3600	575	ODP	Rolled Steel	Rigid	143JPV	GT4500	143TTDBD16019	\$755	S2
	1800	200	ODP	Rolled Steel	Rigid	143JP	GT2301A	143TTDBD6034	\$796	S2
	1800	200	ODP	Rolled Steel	Rigid	143JPV	GT4301A	143TTDBD6045	\$796	S2

## CLOSED COUPLED PUMP JP MOTORS

HP	RPM	VOLTS	ENCLOSURE	CONSTRUCTION	MOUNTING	FRAME	MARATHON CAT.	MARATHON MODEL	LIST PRICE (\$)	MULTI. SYMBOL
1	1800	230/460	ODP	Rolled Steel	Rigid	143JP	GT2401A	143TTDBD6037	\$796	S2
	1800	230/460	ODP	Rolled Steel	Rigid	143JPV	GT4401A	143TTDBD6046	\$796	S2
	1800	575	ODP	Rolled Steel	Rigid	143JP	GT2501A	143TTDBD6038	\$796	S2
	1800	575	ODP	Rolled Steel	Rigid	143JPV	GT4501A	143TTDBD6047	\$796	S2
	1200	200	ODP	Rolled Steel	Rigid	145JP	GT2302	145TTDBD6094	\$1,123	S2
	1200	200	ODP	Rolled Steel	Rigid	145JPV	GT4302	145TTDBD6096	\$1,123	S2
	1200	230/460	ODP	Rolled Steel	Rigid	145JP	GT2402A	145TTDBD6085	\$1,123	S2
	1200	230/460	ODP	Rolled Steel	Rigid	145JPV	GT4402	145TTDBD6097	\$1,123	S2
	1200	575	ODP	Rolled Steel	Rigid	145JP	GT2502A	145TTDBD6095	\$1,123	S2
	1200	575	ODP	Rolled Steel	Rigid	145JPV	GT4502	145TTDBD6098	\$1,123	S2
1.5	3600	200	ODP	Rolled Steel	Rigid	143JP	GT2303A	143TTDBD6011	\$846	S2
	3600	200	ODP	Rolled Steel	Rigid	143JPV	GT4303A	143TTDBD6017	\$846	S2
	3600	230/460	ODP	Rolled Steel	Rigid	143JP	GT2403A	143TTDBD6012	\$846	S2
	3600	230/460	ODP	Rolled Steel	Rigid	143JPV	GT4403A	143TTDBD6018	\$846	S2
	3600	575	ODP	Rolled Steel	Rigid	143JP	GT2503A	143TTDBD6013	\$846	S2
	3600	575	ODP	Rolled Steel	Rigid	143JPV	GT4503A	143TTDBD6019	\$846	S2
	1800	200	ODP	Rolled Steel	Rigid	145JP	GT2304A	145TTDBD6034	\$806	S2
	1800	200	ODP	Rolled Steel	Rigid	145JPV	GT4304A	145TTDBD6045	\$806	S2
	1800	230/460	ODP	Rolled Steel	Rigid	145JP	GT2404A	145TTDBD6037	\$806	S2
	1800	230/460	ODP	Rolled Steel	Rigid	145JPV	GT4404A	145TTDBD6046	\$806	S2
	1800	575	ODP	Rolled Steel	Rigid	145JP	GT2504A	145TTDBD6038	\$806	S2
	1800	575	ODP	Rolled Steel	Rigid	145JPV	GT4504A	145TTDBD6047	\$806	S2
2	3600	200	ODP	Rolled Steel	Rigid	145JP	GT2306A	145TTDBD6011	\$950	S2
	3600	200	ODP	Rolled Steel	Rigid	145JPV	GT4306A	145TTDBD6017	\$950	S2
	3600	230/460	ODP	Rolled Steel	Rigid	145JP	GT2406A	145TTDBD6012	\$950	S2
	3600	230/460	ODP	Rolled Steel	Rigid	145JPV	GT4406A	145TTDBD6018	\$950	S2
	3600	575	ODP	Rolled Steel	Rigid	145JP	GT2506A	145TTDBD6013	\$950	S2
	3600	575	ODP	Rolled Steel	Rigid	145JPV	GT4506A	145TTDBD6019	\$950	S2
	1800	200	ODP	Rolled Steel	Rigid	145JP	GT2307A	145TTDBD16034	\$914	S2
	1800	200	ODP	Rolled Steel	Rigid	145JPV	GT4307A	145TTDBD16045	\$914	S2
	1800	230/460	ODP	Rolled Steel	Rigid	145JP	GT2407A	145TTDBD16037	\$914	S2
	1800	230/460	ODP	Rolled Steel	Rigid	145JPV	GT4407A	145TTDBD16046	\$914	S2
	1800	575	ODP	Rolled Steel	Rigid	145JP	GT2507A	145TTDBD16038	\$914	S2
	1800	575	ODP	Rolled Steel	Rigid	145JPV	GT4507A	145TTDBD16047	\$914	S2
3	3600	200	ODP	Rolled Steel	Rigid	145JP	GT2309A	145TTDBD16011	\$1,062	S2
	3600	200	ODP	Rolled Steel	Rigid	145JPV	GT4309A	145TTDBD16017	\$1,062	S2
	3600	230/460	ODP	Rolled Steel	Rigid	145JP	GT2409A	145TTDBD16012	\$1,062	S2
	3600	230/460	ODP	Rolled Steel	Rigid	145JPV	GT4409A	145TTDBD16018	\$1,062	S2
	3600	575	ODP	Rolled Steel	Rigid	145JP	GT2509A	145TTDBD16013	\$1,062	S2
	3600	575	ODP	Rolled Steel	Rigid	145JPV	GT4509A	145TTDBD16019	\$1,062	S2
1	3600	200	TEFC	Rolled Steel	Rigid	143JP	GT3300	143TTFBD16011	\$950	S2
	3600	200	TEFC	Rolled Steel	Rigid	143JPV	GT5300	143TTFBD16017	\$950	S2
	3600	230/460	TEFC	Rolled Steel	Rigid	143JP	GT3400	143TTFBD16012	\$950	S2
	3600	230/460	TEFC	Rolled Steel	Rigid	143JPV	GT5400	143TTFBD16018	\$950	S2
	3600	575	TEFC	Rolled Steel	Rigid	143JP	GT3500	143TTFBD16013	\$950	S2
	3600	575	TEFC	Rolled Steel	Rigid	143JPV	GT5500	143TTFBD16019	\$950	S2
	1800	200	TEFC	Rolled Steel	Rigid	143JP	GT3301A	143TTFBD6034	\$944	S2
	1800	200	TEFC	Rolled Steel	Rigid	143JPV	GT5301A	143TTFBD6045	\$944	S2
1800	230/460	TEFC	Rolled Steel	Rigid	143JP	GT3401A	143TTFBD6037	\$944	S2	

## CLOSED COUPLED PUMP JP MOTORS

HP	RPM	VOLTS	ENCLOSURE	CONSTRUCTION	MOUNTING	FRAME	MARATHON CAT.	MARATHON MODEL	LIST PRICE (\$)	MULTI. SYMBOL
1	1800	230/460	TEFC	Rolled Steel	Rigid	143JPV	GT5401A	143TTFBD6046	\$944	S2
	1800	575	TEFC	Rolled Steel	Rigid	143JP	GT3501A	143TTFBD6038	\$944	S2
	1800	575	TEFC	Rolled Steel	Rigid	143JPV	GT5501A	143TTFBD6047	\$944	S2
	1200	200	TEFC	Rolled Steel	Rigid	143JP	GT3302	145TTFBD6094	\$944	S2
	1200	200	TEFC	Rolled Steel	Rigid	143JPV	GT5302	145TTFBD6096	\$944	S2
	1200	230/460	TEFC	Rolled Steel	Rigid	145JP	GT3402A	145TTFBD6085	\$1,132	S2
	1200	230/460	TEFC	Rolled Steel	Rigid	145JPV	GT5402	145TTFBD6097	\$1,132	S2
	1200	575	TEFC	Rolled Steel	Rigid	145JP	GT3502A	145TTFBD6095	\$1,132	S2
	1200	575	TEFC	Rolled Steel	Rigid	145JPV	GT5502	145TTFBD6098	\$1,132	S2
	3600	200	TEFC	Rolled Steel	Rigid	143JP	GT3303A	143TTFBD6011	\$1,109	S2
	3600	200	TEFC	Rolled Steel	Rigid	143JPV	GT5303A	143TTFBD6017	\$1,109	S2
	3600	230/460	TEFC	Rolled Steel	Rigid	143JP	GT3403A	143TTFBD6012	\$1,109	S2
1.5	3600	230/460	TEFC	Rolled Steel	Rigid	143JPV	GT5403A	143TTFBD6018	\$1,109	S2
	3600	575	TEFC	Rolled Steel	Rigid	143JP	GT3503A	143TTFBD6013	\$1,109	S2
	3600	575	TEFC	Rolled Steel	Rigid	143JPV	GT5503A	143TTFBD6019	\$1,109	S2
	1800	200	TEFC	Rolled Steel	Rigid	145JP	GT3304A	145TTFBD6034	\$1,035	S2
	1800	200	TEFC	Rolled Steel	Rigid	145JPV	GT5304A	145TTFBD6045	\$1,035	S2
	1800	230/460	TEFC	Rolled Steel	Rigid	145JP	GT3404A	145TTFBD6037	\$1,035	S2
	1800	230/460	TEFC	Rolled Steel	Rigid	145JPV	GT5404A	145TTFBD6046	\$1,035	S2
	1800	575	TEFC	Rolled Steel	Rigid	145JP	GT3504A	145TTFBD6038	\$1,035	S2
	1800	575	TEFC	Rolled Steel	Rigid	145JPV	GT5504A	145TTFBD6047	\$1,035	S2
	3600	200	TEFC	Rolled Steel	Rigid	145JP	GT3306A	145TTFBD6011	\$1,202	S2
	3600	200	TEFC	Rolled Steel	Rigid	145JPV	GT5306A	145TTFBD6017	\$1,202	S2
	3600	230/460	TEFC	Rolled Steel	Rigid	145JP	GT3406A	145TTFBD6012	\$1,202	S2
2	3600	230/460	TEFC	Rolled Steel	Rigid	145JPV	GT5406A	145TTFBD6018	\$1,202	S2
	3600	575	TEFC	Rolled Steel	Rigid	145JP	GT3506A	145TTFBD6013	\$1,202	S2
	3600	575	TEFC	Rolled Steel	Rigid	145JPV	GT5506A	145TTFBD6019	\$1,202	S2
	1800	200	TEFC	Rolled Steel	Rigid	145JP	GT3307A	145TTFBD6034	\$1,082	S2
	1800	200	TEFC	Rolled Steel	Rigid	145JPV	GT5307A	145TTFBD6045	\$1,082	S2
	1800	230/460	TEFC	Rolled Steel	Rigid	145JP	GT3407A	145TTFBD6037	\$1,082	S2
	1800	230/460	TEFC	Rolled Steel	Rigid	145JPV	GT5407A	145TTFBD6046	\$1,082	S2
	1800	575	TEFC	Rolled Steel	Rigid	145JP	GT3507A	145TTFBD6038	\$1,082	S2
	1800	575	TEFC	Rolled Steel	Rigid	145JPV	GT5507A	145TTFBD6047	\$1,082	S2
	3600	200	TEFC	Rolled Steel	Rigid	145JP	GT3387	145TTFBD16011	\$1,274	S2
	3600	200	TEFC	Rolled Steel	Rigid	145JPV	GT5387	145TTFBD16017	\$1,274	S2
	3600	230/460	TEFC	Rolled Steel	Rigid	145JP	GT3487	145TTFBD16012	\$1,274	S2
3	3600	230/460	TEFC	Rolled Steel	Rigid	145JPV	GT5487	145TTFBD16018	\$1,274	S2
	3600	575	TEFC	Rolled Steel	Rigid	145JP	GT3587	145TTFBD16013	\$1,274	S2
	3600	575	TEFC	Rolled Steel	Rigid	145JPV	GT5587	145TTFBD16019	\$1,274	S2

## MICRO MAX® MOTORS

HP	RPM	VOLTS	ENCLOSURE	CONSTRUCTION	MOUNTING	FRAME	MARATHON CAT.	MARATHON MODEL	LIST PRICE (\$)	MULTI. SYMBOL
1.5	1800	230	TENV	Rolled Steel	Rigid C-Face	145TC	Y522A	TBD	\$994	E3
	1800	230/460	TENV	Rolled Steel	Rigid C-Face	145TC	Y366A	TBD	\$994	E3
	1800	575	TENV	Rolled Steel	Rigid C-Face	145TC	Y367A	TBD	\$994	E3
2	1800	230	TENV	Rolled Steel	Rigid C-Face	145TC	Y523A	TBD	\$1,320	E3
	1800	230/460	TENV	Rolled Steel	Rigid C-Face	145TC	Y368A	TBD	\$1,320	E3
	1800	575	TENV	Rolled Steel	Rigid C-Face	145TC	Y369A	TBD	\$1,320	E3

## BLACK MAX® MOTORS

HP	RPM	VOLTS	ENCLOSURE	CONSTRUCTION	MOUNTING	FRAME	MARATHON CAT.	MARATHON MODEL	LIST PRICE (\$)	MULTI. SYMBOL
1	1800	3/60/ 230/460V	TENV	Rolled Steel	Rigid C-Face	143TCZ (5/8" shaft extension)	Y535A	143THTBD5374	\$1082	E3
	1800	230/460	TENV	Rolled Steel	Rigid C-Face	143TC	Y536A	143THTBD5326	\$1,082	E3
	1200	230/460	TENV	Rolled Steel	Rigid C-Face	145TC	Y537A	TBD	\$1,362	E3
1.5	1800	230/460	TENV	Rolled Steel	Rigid C-Face	145TC	Y538A	145THTBD5326	\$1,313	E3
2	1800	230/460	TENV	Rolled Steel	Rigid C-Face	145TC	Y612A	145THTBD16032	\$1,597	E3
	1800	575	TENV	Rolled Steel	Rigid C-Face	145TC	Y611A	TBD	\$1,597	E3

## BLUE MAX® MOTORS

HP	RPM	VOLTS	ENCLOSURE	CONSTRUCTION	MOUNTING	FRAME	MARATHON CAT.	MARATHON MODEL	LIST PRICE (\$)	MULTI. SYMBOL
1	1800	230/460	TENV	Cast Iron	Rigid C-Face	143TC	Y525A	TBD	\$1,790	E3
1.5	1800	230/460	TENV	Cast Iron	Rigid C-Face	145TC	Y590A	TBD	\$2,014	E3
2	1800	230/460	TENV	Cast Iron	Rigid C-Face	145TC	Y526A	TBD	\$2,103	E3

## BLOWER MOTORS

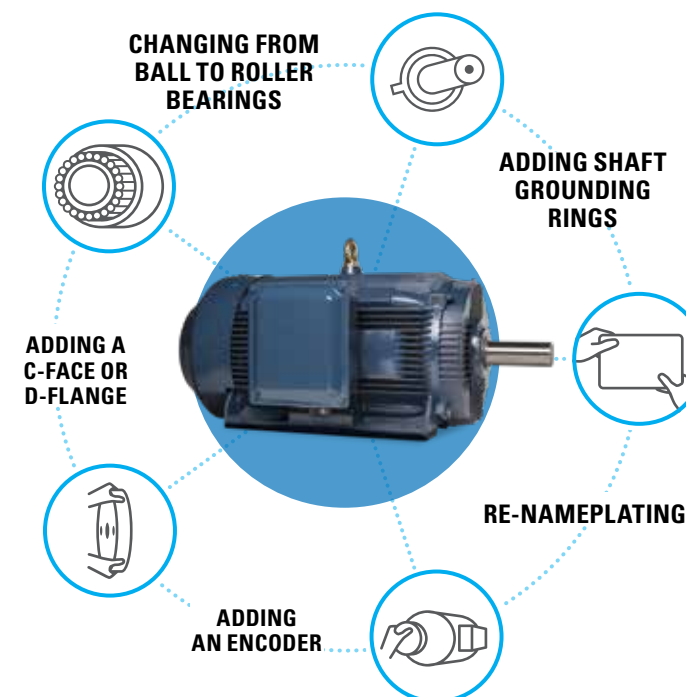
HP	RPM	VOLTS	ENCLOSURE	CONSTRUCTION	MOUNTING	FRAME	MARATHON MODEL	LIST PRICE (\$)	MULTI. SYMBOL
1	1800	230/460	TENV	Cast Iron	Round C-Face	145TCVZ	B4900030	\$926	S4
	1800	230/460	TENV	Cast Iron	Round C-Face	145TCVZ	B4900450	\$926	S4
	1800	230/460	TENV	Cast Iron	Round C-Face	145TCVZ	B4900570	\$926	S4
	1800	230/460	TENV	Cast Iron	Round C-Face	143TCVZ	B4900130	\$926	S4
	1800	230/460	TENV	Cast Iron	Round C-Face	143TCVZ	B4900220	\$926	S4
	1800	230/460	TEFC	Rolled Steel	Round C-Face	143TCZ	B4900110	\$882	S4
	1800	480	TENV	Cast Iron	Round C-Face	145TCZ	B4900350	\$926	S4
	1800	600	TENV	Cast Iron	Round C-Face	145TCVZ	B4900480	\$926	S4
	3600	460	TEFC	Cast Iron	Rigid C-Face	143TCZ	B4900840	\$905	S4
2	3600	575	TENV	Cast Iron	Round C-Face	143TCZ	B4900810	\$858	S4
	1800	208-230/460	TEFC	Rolled Steel	Round C-Face	143TCZ	B4900670	\$1,008	S4
	1800	230/460	TENV	Cast Iron	Round C-Face	145TCVZ	B4900080	\$926	S4
	1800	230/460	TENV	Cast Iron	Round C-Face	143TCVZ	B4900140	\$926	S4
	1800	230/460	TENV	Cast Iron	Round C-Face	143TCZ	B4900640	\$926	S4
	1800	230/460	TENV	Cast Iron	Round C-Face	143TCVZ	B4900780	\$926	S4
	1800	575	TENV	Cast Iron	Round C-Face	143TCVZ	B4900750	\$926	S4
	1800	575	TENV	Cast Iron	Round C-Face	143TCZ	B4900850	\$926	S4

## SPECIAL SHAFT MOTORS

MOTORS	HP	RPM	VOLTS	ENCLOSURE	CONSTRUCTION	MOUNTING	FRAME	MARATHON CAT.	MARATHON MODEL	LIST PRICE (\$)	MULTI. SYMBOL
ODP RS MOTORS	1	1800	3/60/ 230/460V	ODP	Rolled Steel	Rigid	143TZ (5/8" shaft extension)	K004B	143TTDBD6055	\$758	E1
TEFC RS MOTORS	1	1800	3/60/ 230/460V	TEFC	Rolled Steel	Rigid C-Face	143TZ (5/8" shaft extension)	G347B	143TTFBD6055	\$940	E1

## MODIFICATIONS AT THE WAREHOUSE ENSURE CUSTOM SOLUTIONS FASTER.

There is no one size motor that fits all applications. That's why we've expanded our modifications offering on most models. Some modifications can be made and shipped same day while others take a day or two, but the line-ready motor solution you need will be ready to work.



### HOW TO ORDER

First determine whether you need a kit to perform the modification, if you do not need a kit, then the modification list price includes all supplies to perform that modification. If a kit is needed, the modification list price is the labor to install the kit. The kit list price and the motor list price are not included. You must add the net price of the motor and kit to the net price of the modification(s) to calculate the total price of the modified motor.

For example, to add a C-Face kit and thermostats to catalog motor E473A, you would calculate the total price price as follows:

	LIST PRICE	MULTI. SYMBOL
B176240.00 (A420)	\$198	S4
Modification MOD2J, add C-Face to 182T-184T frame motor	\$312	S4
Modification MOD14E, add thermostats to 182T-184T frame motor	\$516	S4
<b>TOTAL</b>	<b>\$1,026</b>	

Add the net price of E473A (\$1284 list price times (x) your motor multiplier) to the net adder for the kit and modifications (\$1026 times (x) your Mod Center multiplier of S4) to find the total net price for the modified motor.

### MOD CENTRAL

Regal offers the capability to modify stock motors in a matter of days to meet our customer's special needs. MOD CENTRAL is centrally located in Regal's distribution center in Indianapolis, Indiana. This state-of-the-art facility stocks a vast array of motors and accessories along with a staff of skilled technicians who provide the highest quality of service. If you need motor modifications on 20 motors or less and want to avoid special engineering and manufacturing schedules, call your local sales representative and take advantage of our MOD CENTRAL Motor Modification Program.

### LEAD-TIME

All lead-times indicated are subject to availability of the stock motors and parts at the time of order placement. If a stock motor is shipped from a remote warehouse to Indianapolis for modification, the cost of the inbound freight will be added to the price of the modified motor and the delivery of the modified motor will be extended by the inbound transit time. (Lead-times in working days are calculated from normal business hours excluding holidays and weekends and do not include the day the purchase order is received.) Large quantities may require additional lead-time.

### MOD CENTRAL HOURS

The Modification Center is open from 7:00 a.m. to 5:00 p.m. CST Monday through Friday.

### FREIGHT TERMS

Standard terms and conditions apply.

### DISCOUNT MULTIPLIER

Discount symbol S4 applies to all list prices, except where noted.

### CANCELLATION POLICY

If a Mod Central order is cancelled after the motor is modified but before it ships, a cancellation charge of double the modification charge will be invoiced to the customer. Any Mod Central order cancelled before modifications are completed is subject to a cancellation charge of 25% of the total modification charges for that item.

### ONCE SHIPPED MODIFIED MOTORS MAY NOT BE RETURNED FOR CREDIT OR RESTOCKING

# MOD CENTRAL - STOCK MOTORS ONLY

MULT. SYMBOL IS S4 (EXCEPT AS NOTED)

NEMA** MOTORS DESCRIPTION	REQUIRES KIT	LIST PRICE	
		MOD #	143-145
<b>Altitude / Ambient:</b>			
Change Altitude or Ambient Temp	—	7	\$212
<b>Bearings:</b>			
1 Sealed Bearing & High/ Low temperature grease	—	15	\$429
2 Sealed Bearings & High/Low temperature grease	—	15	\$858
1 Insulated bearing	—	18	\$488
2 Insulated bearings	—	18	\$976
<b>Brackets:**</b>			
C-Face (non-explosion proof)	Yes	2	\$266
C-Face (IEEE 841)	Yes	2	\$442
<b>Conduit Box:</b>			
Rotate conduit box lead opening	—	56	\$269
Convert to cast iron	Yes	56	\$269
Gasketing to Conduit Box	—	56	\$238
<b>Connections:</b>			
SO cord, plug, and switch single phase	—	35	\$533
<b>Drains:</b>			
Brass drain & breather	—	21	\$338
Stainless steel drain & breather	—	21	\$488
<b>Drip Cover:</b>			
Canopy cover (TEFC motors)	Yes	4	\$225
<b>Encoders: (NOTE: Multiplier Symbol E3)</b>			
Avtron® AV32	Yes	22	\$175
Avtron AV56	Yes	22	\$175
Avtron HS35A	Yes	22	\$175
Avtron HS35M	Yes	22	\$175
Avtron HS45	Yes	22	\$175
Dynapar® HS20	Yes	22	\$175
Dynapar HS35R	Yes	22	\$175
NorthStar® HSD35	Yes	22	\$175
NorthStar ST56	Yes	22	\$175

\*\*Addition of C-Face Kits may result in non-NEMA® "BA", dimension. For the resulting "BA" dimension consult chart found in modification section.

Specifications and prices are subject to change without notice.

\*The following trademarks are not owned by or under the control of Regal Beloit Corporation: Avtron is a trademark or tradename of Avtron Mfg; Dynapar is a trademark or tradename of Danaher Corporation; Northstar is a trademark or tradename of Northern Tool & Equipment; NEMA is a trademark of National Electrical Manufacturers Association.

# MOD CENTRAL - STOCK MOTORS ONLY

MULT. SYMBOL IS S4 (EXCEPT AS NOTED)

NEMA** MOTORS DESCRIPTION	LIST PRICE	
	MOD #	143-145
<b>Stub Shaft:</b>		
XRI®-SD & XRI-841, TEFC motors only (requires kit)	42	\$338
<b>Fan / Fan Guard:</b>		
Change Fan Guard (requires kit)	44	\$201
<b>Frequency:</b>		
Re-rate 60Hz to 50Hz	7	\$182
<b>Grease/Fittings:</b>		
Grease relief fittings	15	\$323
1 Sealed Bearing & High/ Low temperature grease	15	\$429
2 Sealed Bearings & High/ Low temperature grease	15	\$858
<b>Grounding:</b>		
Conduit box grounding lug	20	\$195
BCP™ - Shaft grounding ring (E3 multiplier)	20	\$328
<b>Leads:</b>		
Reconnect leads (non-explosion proof)	9	\$312
Reconnect leads (explosion proof)	40	\$503
Remark leads	33	\$327
Longer leads - up to 24"	33	\$256
<b>Mounting/ Assembly: (Ex. F1 to F2):</b>		
Non-explosion proof	1	\$388
Transition motor bases (requires kit)	39	\$3266
<b>Nameplates / Markings:</b>		
Additional data on nameplate	7	\$212
CE®* Marking	7	\$212
Private label	7	\$212
Rotation arrow	7	\$212
Stainless steel nameplate	7	\$212
Separate nameplate for customer data	7	\$212
<b>Packaging:</b>		
Heat treated pallets	29	\$94
<b>Paint:</b>		
Repaint to a Marathon® motor stock color	8	\$392
<b>Service Factor:</b>		
AC motor service factor re-rating	7	\$212

Specifications and prices are subject to change without notice.

\*The following trademarks are not owned by or under the control of Regal Beloit Corporation: CE is believed to be a trademark or tradename of European Unions; NEMA is a trademark of National Electrical Manufacturers Association.



# MOD CENTRAL - STOCK MOTORS ONLY

MULT. SYMBOL IS S4 (EXCEPT AS NOTED)

NEMA®* MOTORS DESCRIPTION	LIST PRICE	
	MOD #	143-145
<b>Shaft Modifications:</b>		
Drill & tap hole	42	\$323
Mill flat on shaft	0	\$296
Steps on shaft	0	\$370
<b>Space Heaters:</b>		
Non explosion proof	12	\$516
<b>Terminal Blocks:</b>		
Terminal block (requires kit)	57	\$358
<b>Thermal Protection:</b>		
Thermostats (non explosion proof)	14	\$516
Thermistors (non explosion proof motors)	14	\$969
Thermistors (including control module)	14	\$2,581
Thermocouples - bearings (non XP)	14	\$567
Thermocouples - winding, per phase (non XP)	14	\$567
Thermocouples - winding, top (non XP)	14	\$567
RTDs - bearings	37	\$5,702
RTDs - winding - top (non explosion proof)	14	\$2,637
RTDs - winding - Per Phase (non explosion proof)	14	\$3,420
<b>Weatherproofing / Special Service:</b>		
Tropical anti- fungus treatment	5	\$450
Level 1 PPAP Test Report	90	\$188
Marine Duty IEC®* 60092 AUX N/P	45	\$291

Specifications and prices are subject to change without notice.

\*The following trademarks are not owned by or under the control of Regal Beloit Corporation: IEC is a trademark of International Electrotechnical Commission; NEMA is a trademark of National Electrical Manufacturers Association.

# MOD CENTRAL - MOTOR MODIFICATIONS

MODIFICATION DESCRIPTION	MODIFICATION	PRODUCT	FRAME	LEAD-TIME**
<b>Altitude/Ambient</b>				
AC motor altitude or ambient re-rating	MOD7	All Non-EXP	143-5T	2
<b>Assembly (see Mounting)</b>				
<b>Bearings</b>				
Sealed bearing	MOD18	All Non-EXP	143-5T	Call
Insulated bearing	MOD18	Non Div 1 or 2	143-5T	Call
<b>Brackets</b>				
C-Face non-explosion proof	MOD2	All Non-EXP	143-5T	2
C-Face IEEE 841	MOD2	All Non-EXP	143-5T	2
<b>Conduit Box</b>				
Rotate conduit box lead opening	MOD56	All Non-EXP	143-5T	2
<b>Connections</b>				
SO cord, plug, and switch-single phase	MOD0	TEFC	143-5T	Call
<b>Drains</b>				
Brass drain & breather	MOD21	All Non-EXP	143-5T	2
Stainless steel drain & breather	MOD21	All Non-EXP	143-5T	2
<b>Drip Covers</b>				
Canopy cover	MOD4	TEFC	143-5T	2
<b>Encoders</b>				
Avtron® AV56	MOD22	TENV	143-5T	2
Avtron HS25A & HS35A	MOD22	TENV	143-5T	2
Avtron M56/M85	MOD24	TENV	143-5T	2
Northstar® SL56	MOD22	TENV	143-5T	2
Northstar SL56/SL85	MOD24	TENV	143-5T	2
Dynapar® HS20, HS35R, & HSD38	MOD22	TENV,TEFC	143-5T	2
BEI® HS35	MOD31	TENV,TEFC	143-5T	2
<b>Fan</b>				
Fan removal	MOD44	All Non-Exp	143-5T	2
Poly Fan Guard	MOD44	All Non-Exp	143-5T	2
Vane axial	MOD43	All Non-Exp	143-5T	4
<b>Frequency</b>				
Frequency re-rate 60 Hz to 50 Hz	MOD7	All	143-5T	1
<b>Grease/Fittings</b>				
Grease relief fittings	MOD15	All Non-Exp	143-5T	2
Low temperature grease	MOD0	All	143-5T	2
High temperature grease	MOD0	All	143-5T	2
<b>Grounding</b>				
Conduit box grounding lug	MOD20	All	143-5T	2
On-frame grounding (cast iron motors)	MOD20	All	143-5T	2
Shaft grounding ring	MOD20	Call	143-5T	2

\*\*Lead-time days does not include the day order is received.

\*The following trademarks are not owned by or under the control of Regal Beloit Corporation: Avtron is a trademark or tradename of Avtron Mfg; BEI is a trademark or trade name of Sensata Technologies, Inc.; Dynapar is a trademark or tradename of Danaher Corporation; Northstar is a trademark or tradename of Northern Tool & Equipment;

# MOD CENTRAL - MOTOR MODIFICATIONS

MODIFICATION DESCRIPTION	MODIFICATION	PRODUCT	FRAME	LEAD-TIME**
<b>Inverter Duty Motors</b>				
Variable torque with thermostats (R140)	MOD25	All	143-5T	2
Constant torque with thermostats (R142)	MOD26	All	143-5T	2
Constant torque (R164)	MOD43	All	143-5T	2
<b>Leads</b>				
Reconnect leads	MOD9	All	143-5T	1
Terminal lugs	MOD0	All	143-5T	2
Remark leads	MOD33	All	143-5T	2
Longer leads - up to 24"	MOD0	All Non-Exp	143-5T	2
<b>Mounting/Assembly (Example: F1 to F2)</b>				
Convert to floor, top, ceiling, or wall	MOD1	All Non-Exp	143-5T	2
Adjustable bases	MOD39	All	143-5T	2
<b>Nameplates/Markings</b>				
Additional data on nameplate	MOD7	All	143-5T	1
CE** Marking	MOD7	All	143-5T	2
Private Label	MOD7	All	143-5T	1
Separate nameplate for customer data	MOD7	All	143-5T	2
Stainless steel nameplate	MOD7	All	143-5T	1
<b>Packaging</b>				
Heat treated pallet	MOD29	All	143-5T	3
<b>Paint</b>				
Repaint to a Marathon® motor stock color	MOD8	All	143-5T	3
<b>Service Factor</b>				
AC motor service factor re-rating	MOD7	All Non-EXP	143-5T	1
<b>Shaft Grounding Ring (see Grounding)</b>				
<b>Shaft Modifications</b>				
Drill & tap hole	MOD42	All	143-5T	3
Mill flat on shaft	MOD0	All	143-5T	3
Steps on shaft	MOD0	All	143-5T	Call
<b>Space Heaters</b>				
Non explosion proof	MOD12	All Non-EXP	143-5T	2
<b>Thermal Protection</b>				
Thermostats-windings	MOD14	All	143-5T	2
Thermistors-windings	MOD14	All	143-5T	2
Thermistors (including control module)	MOD14	All Non-EXP	143-5T	2
Thermocouples - winding or bearing	MOD0	All Non-EXP	143-5T	2
RTD's - winding	MOD14	All	143-5T	3
<b>Tests</b>				
PPa-P-Level 1	MOD90A	All	143-5T	2
<b>Weatherproofing/Special Service</b>				
Tropical anti-fungus treatment	MOD5	All	143-5T	2

\*\*Lead-time days does not include the day order is received.

\*CE is believed to be a trademark or tradename of European Unions and is not owned or controlled by Regal Beloit Corporation.

# ACCESSORY KITS - MULTIPLIER SYMBOL S4

Complete kits with hardware necessary for converting Marathon® stock rigid base motors to "C-Face" mounting with rigid base.

**Excludes Blue Chip Series® XRI® Dripproof stock motors, see below**



## C-FACE KITS - DRIPPROOF

CAT. NO.	FRAME	KIT NO.	LIST PRICE	WHERE USED (MODELS CONTAINING)	WT.	FOOT NOTES
A159	143T-145T	B176270.00	\$123	TTDBD (All poles)	3	75

Complete kits with hardware necessary for converting Marathon® stock rigid base motors to "C-Face" mounting with rigid base. Includes Globetrotter®, XRI® (AS NOTED), and severe duty motors.

**Excludes Blue Chip Series® XRI® IEEE-841 stock motors, available on the next page.**

## C-FACE KITS - TOTALLY ENCLOSED

CAT. NO.	FRAME	KIT NO.	LIST PRICE	WHERE USED (MODELS CONTAINING)	WT.	FOOT NOTES
A400	143T-145T	KIT 140TCFBD	\$123	TTFBD (All poles)	5	75
A422	143T-145T	B176245.00	\$123	TTFCF (Globetrotter motor) (All poles)	5	75
A655A	143T-145T	B176000.00	\$123	TTFCF (XRI-SD motor) (All poles)	5	75,76

Complete kits with hardware and Inpro/Seal® necessary for converting Marathon® stock IEEE-841 rigid base motors to "C-Face" mounting with rigid base.

## C-FACE KITS - BLUE CHIP SERIES® XRI® IEEE-841 MOTORS

CAT. NO.	FRAME	KIT NO.	LIST PRICE	WHERE USED (MODELS CONTAINING)	WT.	FOOT NOTES
A181A	143T-145T	KIT 140TCFCD-841	\$261	THTCF or THFCF (All poles)	9	75,76

## BRASS PUNCH

Used for placing between your hammer and a motor's shaft or bearing. 3/4" diameter x 6" length.

CAT. NO.	KIT NO.	LIST PRICE	WT.
A261	KIT 261	\$38	6



## CAST IRON CONDUIT BOX KITS

Fits standard Globetrotter® and Blue Chip Series® motors. Threaded conduit box and gaskets.

CAT. NO.	FRAME	KIT NO.	ENCLOSURE	LIST PRICE	WT.
A932	143T-145T	B176247.00	TTFCF	\$123	4

## FAN GUARD KITS

Fits standard Globetrotter motors. Mounts with four screws into the end bracket. Kit includes: fan guard, mounting screws, washers, and instructions.

CAT. NO.	FRAME	KIT NO.	ENCLOSURE	LIST PRICE	WT.
A971	143T-145T	B176236.00	TTFCF	\$88	3
A975	143T-145T	B176246.00	TTFCF	\$261	8

\*Inpro/Seal is a trademark or tradenames of Dover Corporation and is not owned or controlled by Regal Beloit Corporation.

# ACCESSORY KITS - MULTIPLIER SYMBOL S4 (EXCEPT AS NOTED)

BRAKE KITS - SINGLE AND THREE PHASE MOTORS

## STEARNS® 56000 SERIES BRAKE KITS

These kits include a brake mounted to an external cast aluminum fan guard. Designed for easy field installation on Marathon® 4-In-1® motors, 56, 143, and 145 frames only.

TORQUE RATING (LB/FT)	LIST PRICE	115/208-230 VOLT		208-230/460 VOLT		575 VOLT		WT. ALL
		CAT. NO.	KIT. NO.	CAT. NO.	KIT. NO.	CAT. NO.	KIT. NO.	
3	\$710	A306	KIT 3BRK1	A301	KIT 3BRK3	A297	KIT 3BRK3A	10
6	\$837	A307	KIT 6BRK1	A302	KIT 6BRK3	A298	KIT 6BRK3A	11
10	\$41035	—	—	A303	KIT 10BRK	A299	KIT 10BRKA	10

Selection Chart  
(Used to select brake size)

MOTOR HP	BRAKEMOTOR SHAFT RPM		
	LB-FT @ 3600	LB-FT @ 1800	LB-FT @ 1200
1/4	—	—	3
1/3	—	3	3
1/2	3	3	3
3/4	3	6	6
1	3	6	6
1 1/2	6	10	10
2	6	10	—

## STEARNS 56000 SERIES BRAKE KITS - INVERTER DUTY TENV BLACK MAX® AND BLUE MAX® MOTORS - MULTIPLIER SYMBOL E3

For normal (140%) torque rating, do not apply on motors larger than 2 HP. Reduced braking torque and/or longer stopping times can result from applying an undersized brake on higher HP motors.

These brake kits fit on both the Black Max® and Blue Max® TENV motors. These can also be used together with the Double C-Face SL56 encoder to make a closed loop inverter brake motor.

TORQUE RATING (LB/FT)	LIST PRICE	115/208-230 VOLT		208-230/460 VOLT		575 VOLT		WT. ALL
		CAT. NO.	KIT. NO.	CAT. NO.	KIT. NO.	CAT. NO.	KIT. NO.	
6	\$1276	A317	KIT BM6BRK115	A312	KIT BM6BRK	A315	KIT BM6BRK575	7
10	\$1549	A318	KIT BM10BRK115	A313	KIT BM10BRK	A316	KIT BM10BRK575	7

## DOUBLE C-FACE COUPLER BRAKES

Includes a 5/8" sleeve

TORQUE RATING (LB/FT)	ENCLOSURE NEMA 2, IP-23 208-230/460V			ENCLOSURE NEMA® 4, IP-54 208-230/460V			ENCLOSURE NEMA 4X, IP-55 208-230/460V			WT. ALL
	CAT. NO.	KIT. NO.	LIST PRICE	CAT. NO.	KIT. NO.	LIST PRICE	CAT. NO.	KIT. NO.	LIST PRICE	
3	A903	KIT 903	\$947	A906	KIT 906	\$1163	A909	KIT 909	\$1347	12
6	A904	KIT 904	\$1055	A907	KIT 907	\$1314	A910	KIT 910	\$1457	12
10	A905	KIT 905	\$1201	A908	KIT 908	\$1457	A911	KIT 911	\$1601	12

## DRIP COVER KITS

Mounts with two screws into the end bracket. Kit includes: drip cover, mounting screws, washers, and instructions. Contact Regal to determine compatibility with motor. For vertical shaft down applications.

CAT. NO.	FRAME	KIT NO.	ENCLOSURE	LIST PRICE	WT.
A080	143T-145TV	B176248.00	ODP (TTDBD)	\$69	3
A002	143T-145T	B176232.00	TTFBD	\$69	3
A090	143T-145T	B176249.00	TTFCD (Globetrotter)	\$101	3
A070	143T-145T	KIT 140DCFSD-WD	TTFCD (XRI-SD or XRI-841)	\$117	3

All Kits Listed On This Page Are Stock

\*Stearns is a trademark of Rexnord Corporation and is not owned or controlled by Regal Beloit Corporation.

# ACCESSORY KITS - MULTIPLIER SYMBOL E3

## ENCODER KITS AND ACCESSORIES FOR BLACK MAX®, BLUE MAX®, XRI®-SD AND XRI-841 MOTORS

Installation of encoder kits on Blue Chip Series® XRI-SD and XRI-841 TEFC motors requires installation of A807 Stub Shaft Kit (see below)

ENCL.	FRAME	BRAND / MODEL	PPR.	CAT. NO.	KIT NO.	LIST PRICE	WT.	NOTES		
TENV (5/8" bore)	56-286	Avtron® AV32	1024	A1010	KIT AV321024-NV	\$1785	1	Shaft Mount, 5-24 VDC, with 10 pin connector/mate		
				A972	KIT AV32B1024-NV			Shaft Mount, 5-24 VDC, with 10 pin connector/mate (BEI® Phased)		
			2048	A1011	KIT AV322048-NV	\$1785	1	Shaft Mount, 5-24 VDC, with 10 pin connector/mate		
				A973	KIT AV32B2048-NV			Shaft Mount, 5-24 VDC, with 10 pin connector/mate (BEI Phased)		
		Avtron HS35A	1024	A736	KIT HS35A1024-NV	\$2582	4	Shaft Mount, 5-26 VDC, with 10 pin connector/mate		
				A779A	KIT HS35A/B1024-NV			Shaft Mount, 5-26 VDC, with 10 pin connector/mate (REPLACES BEI A779)		
			2048	A739	KIT HS35A2048-NV		4	Shaft Mount, 5-26 VDC, with 10 pin connector/mate		
				A780A	KIT HS35A/B2048-NV			Shaft Mount, 5-26 VDC, with 10 pin connector/mate (REPLACES BEI A780)		
		Avtron HS35M	1024	A742	KIT HS35M1024	\$2988	4	Shaft Mount, 5-24 VDC, with EPIC connector/mate		
		Avtron HS45	1024	A753A	KIT HS451024-NV	\$5419	10	Shaft Mount, 5-24 VDC, with EPIC connector/mate		
		Avtron AV56	512	A713	KIT AV56512-NV	\$4076	5	Modular Mount, 5-24 VDC, with EPIC connector/mate, Double C-Face		
			1024	A793A	KIT AV561024-NV	\$4076	5	Modular Mount, 5-24 VDC, with EPIC connector/mate, Double C-Face		
		Dynapar® HS20	1024	A687	KIT HS201024-NV	\$1199	3	Shaft Mount, 5-26 VDC, with 10 pin connector/mate		
		Dynapar HS35R	1024	A772	KIT HS351024-NV	\$2582	3	Shaft Mount, 5-26 VDC, with 10 pin connector/mate		
			2048	A776	KIT HS352048-NV			Shaft Mount, 5-26 VDC, with EPIC connector/mate		
		NorthStar® HSD35	1024	A711	KIT HSD351024-NV	\$2788	4	Modular Mount, 5-15 VDC, with EPIC connector/mate		
			512	A785	KIT LKSR512	\$4076	5	Modular Mount, 5-15 VDC, with EPIC connector/mate		
		NorthStar ST56	1024	A763	KIT LKSR02	\$4076	5	Modular Mount, 5-15 VDC, with EPIC connector/mate, Double C-Face		
			1024	A786	KIT LKSR-CFACE	\$4480	5	Modular Mount, 5-15 VDC, with EPIC connector/mate, Double C-Face		
TEFC (1" bore)	182-449	Avtron AV32	1024	A974	KIT AV321024-FC	\$1785	1	Shaft Mount, 5-24 VDC, with 10 pin connector/mate		
				A976	KIT AV32B1024-FC			Shaft Mount, 5-24 VDC, with 10 pin connector/mate (BEI Phased)		
			2048	A975	KIT AV322048-FC	\$1785	1	Shaft Mount, 5-24 VDC, with 10 pin connector/mate		
				A977	KIT AV32B2048-FC			Shaft Mount, 5-24 VDC, with 10 pin connector/mate (BEI Phased)		
		Avtron HS35A	1024	A737	KIT HS35A1024-FC	\$2582	4	Shaft Mount, 5-26 VDC, with 10 pin connector/mate		
				A783A	KIT HS35A/B1024-FC			Shaft Mount, 5-26 VDC, with 10 pin connector/mate (REPLACE BEI A783)		
			2048	A740	KIT HS35A2048-FC				4	Shaft Mount, 5-26 VDC, with 10 pin connector/mate
				A784A	KIT HS35A/B2048-FC					Shaft Mount, 5-26 VDC, with 10 pin connector/mate (REPLACE BEI A784)
		Avtron HS35M	1024	A742	KIT HS35M1024	\$2988	4	Shaft Mount, 5-24 VDC, with EPIC connector/mate		
			2048	A744	KIT HS35M2048	\$2988	4	Shaft Mount, 5-24 VDC, with EPIC connector/mate		
		Avtron HS45	1024	A754A	KIT HS451024-FC	\$5419	10	Shaft Mount, 5-24 VDC, with EPIC connector/mate		
		Dynapar HS35R	1024	A774	KIT HS351024-FC	\$2582	3	Shaft Mount, 5-26 VDC, with 10 pin connector/mate		
				A777	KIT HS352048-FC			Shaft Mount, 5-26 VDC, with 10 pin connector/mate		
		NorthStar HSD35	1024	A712	KIT HSD351024-FC	\$2788	4	Shaft Mount, 5-26 VDC, with EPIC connector/mate		
		TENV Brake Motors	143-145	Avtron AV56	1024	A748A	KIT AV561024BRK-140	\$4076	4	Fits Blue Max Brakemotors (Y986, Y987)
				NorthStar ST56	1024	A786	KIT LKSR-CFACE	\$4480	5	Fits Blue Max Brakemotors (Y986, Y987)
CABLE KITS	56-449	Danaher® Controls	N/A	A688-10	KIT A688-10	\$497	3	10' cable and pre-wired 10-pin connector for all 10 pin (MS) connectors		
			N/A	A688-20	KIT A688-20	\$702	3	20' cable and pre-wired 10-pin connector for all 10 pin (MS) connectors		
			N/A	A688-25	KIT A688-25	\$795	4	25' cable and pre-wired 10-pin connector for all 10 pin (MS) connectors		
			N/A	A688-30	KIT A688-30	\$847	4	30' cable and pre-wired 10-pin connector for all 10 pin (MS) connectors		
			N/A	A688-50	KIT A688-50	\$1293	5	50' cable and pre-wired 10-pin connector for all 10 pin (MS) connectors		
			N/A	A688-60	KIT A688-60	\$1492	5	60' cable and pre-wired 10-pin connector for all 10 pin (MS) connectors		
			N/A	A688-75	KIT A688-75	\$1033	8	75' cable and pre-wired 10-pin connector for all 10 pin (MS) connectors		
			N/A	A688-100	KIT A688-100	\$2284	10	100' cable and pre-wired 10-pin connector for all 10 pin (MS) connectors		
			N/A	A690-15	KIT A690-15	\$412	3	15 feet bulk cable, for use with NorthStar encoders		

All Kits Listed On This Page Are Stock

\*The following trademarks are not owned by or under the control of Regal Beloit Corporation: Avtron is a trademark or tradename of Avtron Mfg; BEI is a trademark or trade name of Sensata Technologies, Inc.; Dynapar and Danaher are trademarks or tradenames of Danaher Corporation; Northstar is a trademark or tradename of Northern Tool & Equipment.

# ACCESSORY KITS - MULTIPLIER SYMBOL E3

## ENCODER STUB SHAFT KIT

Fits XRI® Severe Duty or XRI IEEE-841 motors to allow the addition of 1" borehollow shaft encoders on opposite drive end of motor.

CAT. NO.	KIT NO.	LIST PRICE	FRAME	WT.	WHERE USED
A121	KIT STUBSHFT 140-280	\$300	143T-286T	3	TTFBD, TTFCF, THTCF, or THFCF

### WARNING:

Encoder stub shaft may not be installed on motors used in Division I or Division 2 hazardous locations.



## SHAFT GROUNDING KITS

Shaft grounding: Shaft grounding is recommended (NEMA® MG1 31.4.4.3) as an effective means of bearing protection for motors operated from inverter power. One grounding device is adequate to bleed down inverter-sourced shaft voltages, thereby protecting both bearings for motors as large as 6085 frame.

### BCP UNIVERSAL KIT:

Kit includes grounding ring, all mounting hardware needed to mount to any standard drive end bracket and instructions.



### BCP UNIVERSAL SPLIT RING KIT

Kit is designed to allow BCP mounting without uncoupling the motor. Kit includes grounding ring, all mounting hardware needed to mount to any standard drive end bracket and instructions. Shaft ground rings fit these NEMA frame shaft extensions listed below, they are designed to mount on the shaft end. For larger frames, please contact Regal.

### BCP™ KIT:

Kit includes grounding ring, adhesive mounting hardware and instructions (for domestic produced products only).

BCP KIT					BCP UNIVERSAL KIT					BCP UNIVERSAL SPLIT RING KIT				
FRAME	KIT NO.	CAT. NO.	LIST PRICE	WT.	KIT NO.	CAT. NO.	LIST PRICE	WT.	KIT NO.	CAT. NO.	LIST PRICE	WT.		
143-145T	KIT SGR-20.7	A500-14	\$415	1	KIT SGR-0.875-UK	A499-2	\$651	5	KIT SGR-0.875-1A4-UK	A495-2	\$1051	5		

## CONDUCTIVE EPOXY:

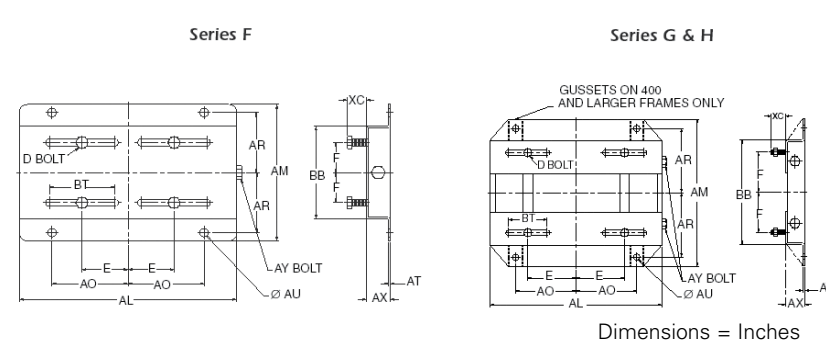
Epoxy comes in two 7g syringes, total of 14g (0.35 oz). This two part epoxy offers high electrical conductivity and strong conductive bonding. Use in place of traditional end bracket drilling.

CAT. NO.	KIT NO.	LIST PRICE	WT.
A496	EP2400	\$912	2

## ADJUSTABLE MOTOR BASES (SLIDE BASES)

### APPLICATION:

Used to adjust tension during motor installation. Made with heavy duty steel construction with single screw adjustment for 143T-215T Frame and double screw adjustment for 254T Frame and larger.

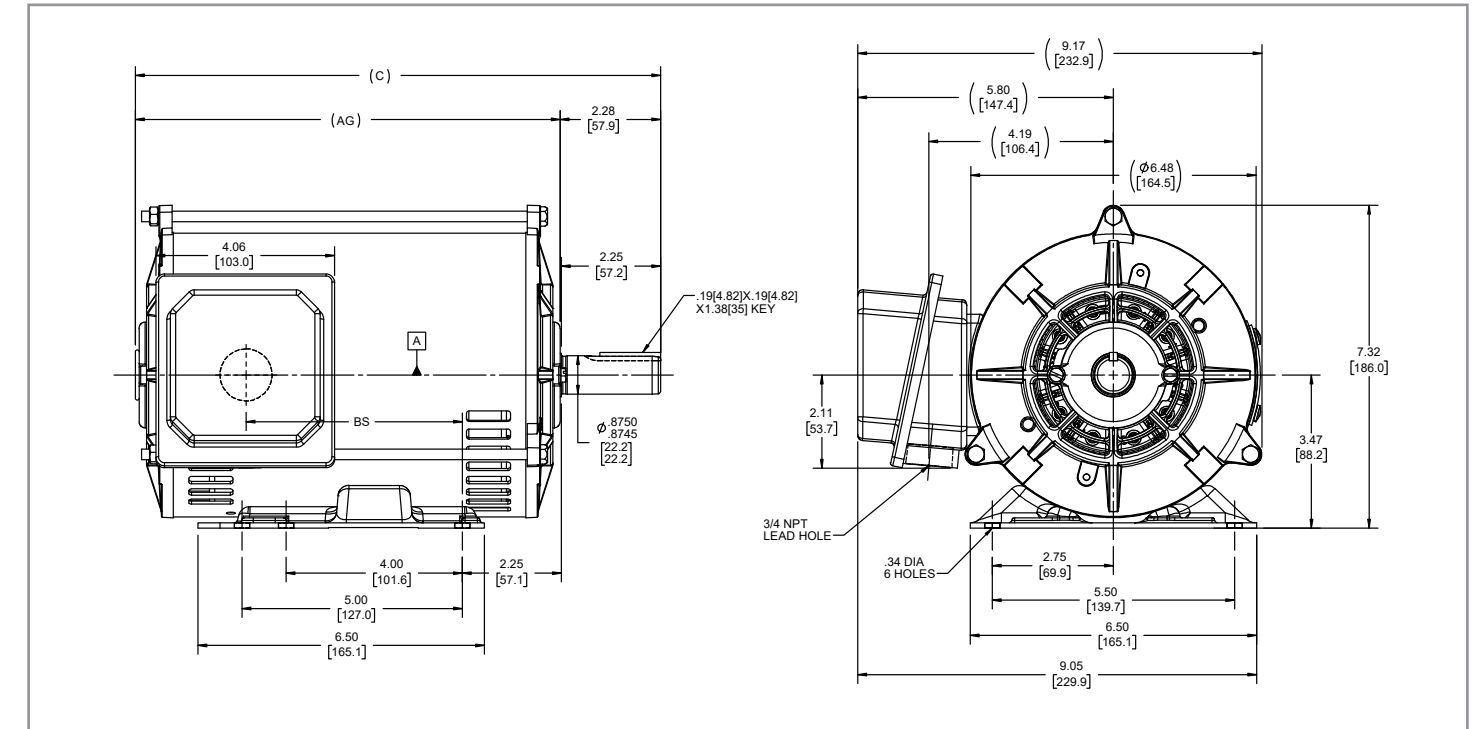


SERIES	FRAME	CAT. NO.	KIT NO.	AL	AM	AX	BB	E	F	AO	AR	AU	BT	AT	XC	D BOLT	AY BOLT	WT. LBS.	LIST PRICE
F	143	143A	KIT 143SB	10 1/2	7 1/2	1 1/8	5 1/2	2 3/4	2	3 3/4	3 3/8	3/8	3	0.119	13/16	5/16x1	3/8x4	5	\$160
F	145	145A	KIT 145SB	10 1/2	8 1/2	1 1/8	6 1/2	2 3/4	2 1/2	3 3/4	3 7/8	3/8	3	0.119	13/16	5/16x1	3/8x4	6	

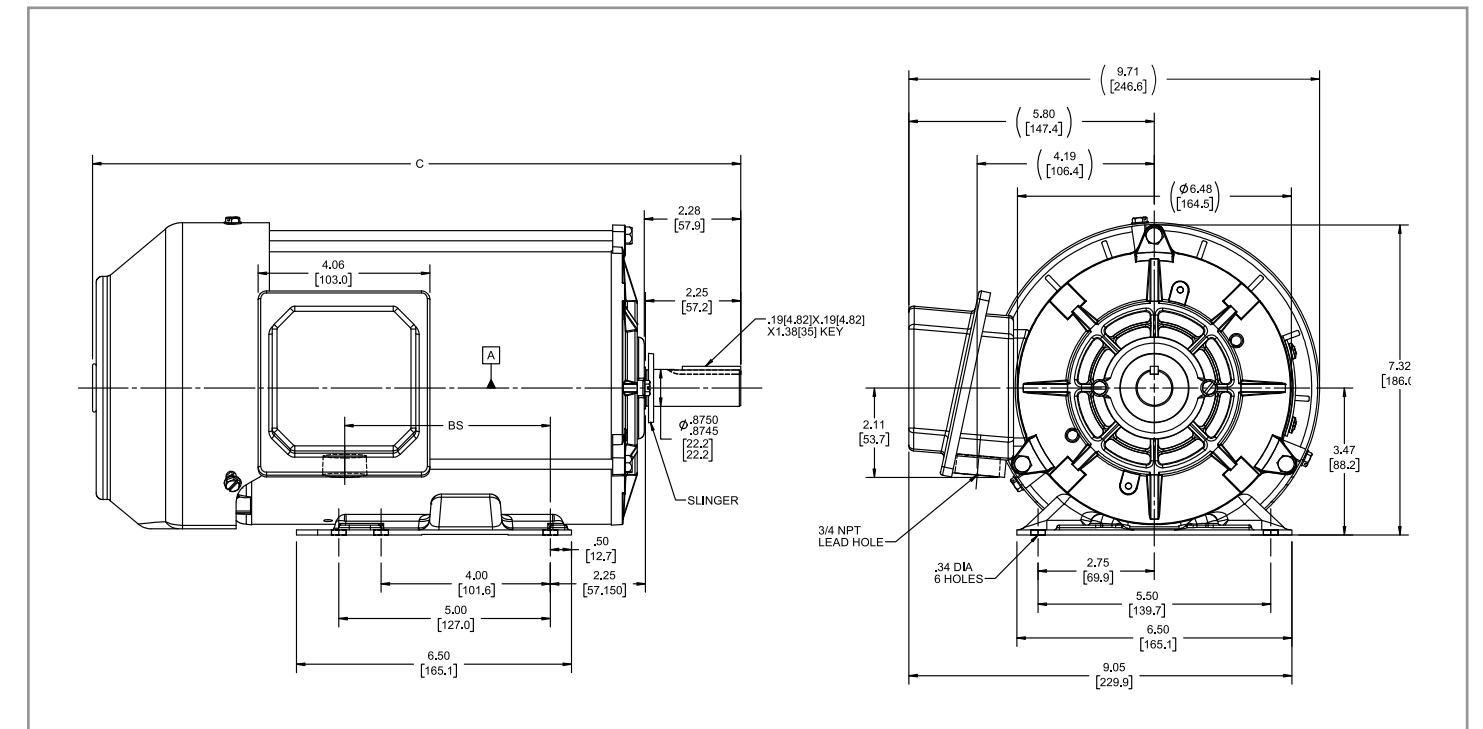
# DIMENSIONS PAGE

## 143/145 FRAME MOTORS

### GENERAL GLOBETROTTER® DP ROLLED STEEL MOTOR



### GENERAL GLOBETROTTER TEFC ROLLED STEEL MOTOR



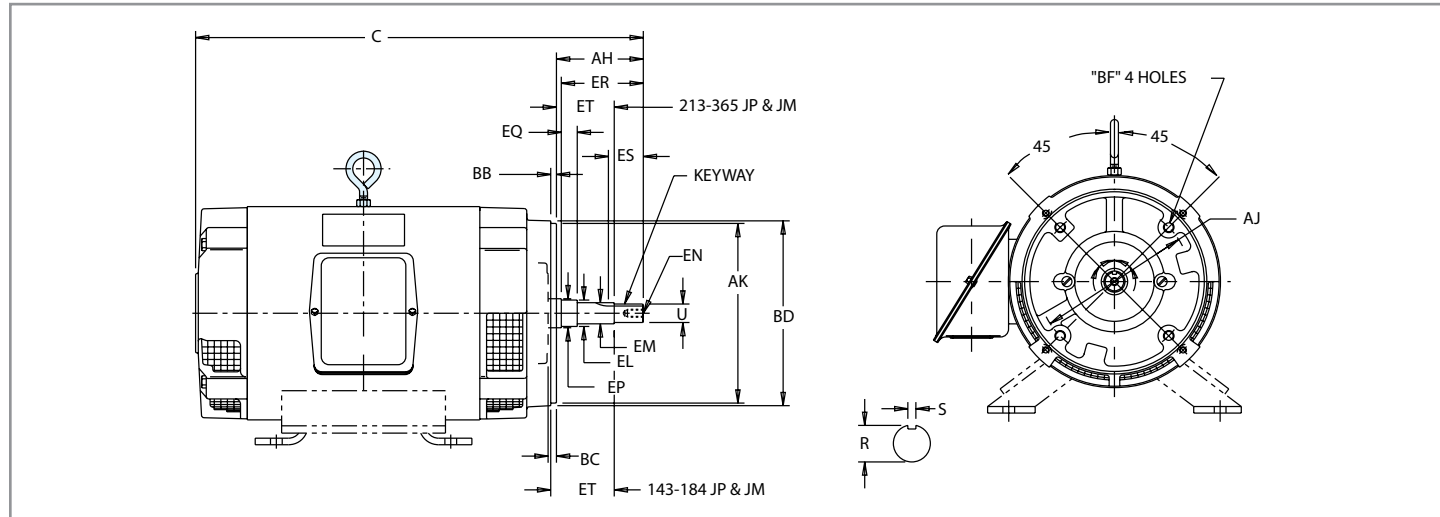
All Kits Listed On This Page Are Stock

\*NEMA is a trademark of National Electrical Manufacturers Association and is not owned by or under the control of Regal Beloit Corporation

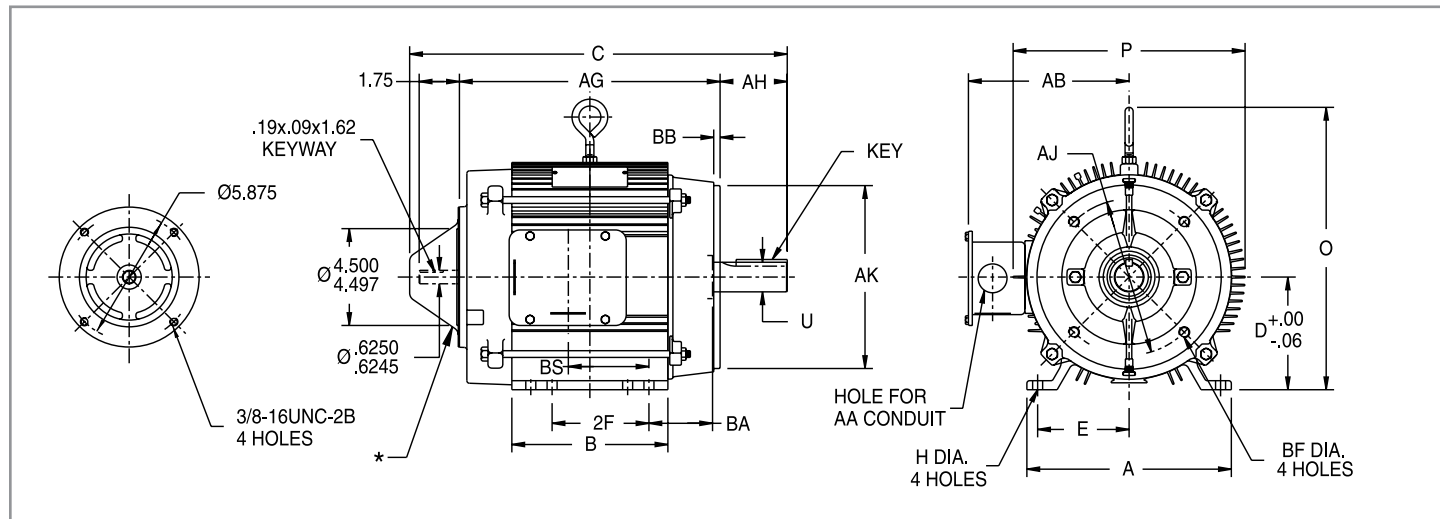
# DIMENSIONS PAGE

## 143/145 FRAME MOTORS

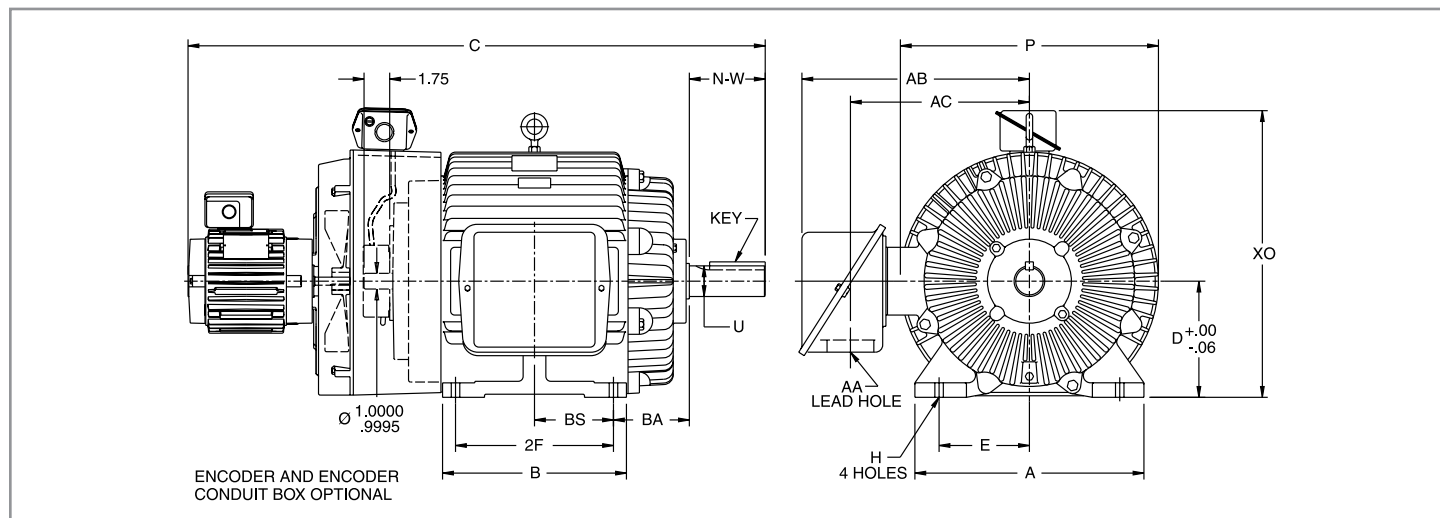
### TYPICAL CLOSE COUPLED PUMP MOTOR



### TENV—C FACE, RIGID BASE

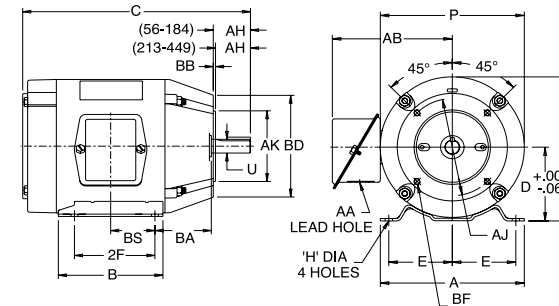


### TEBC—TOTALLY ENCLOSED BLOWER COOLED, RIGID BASE



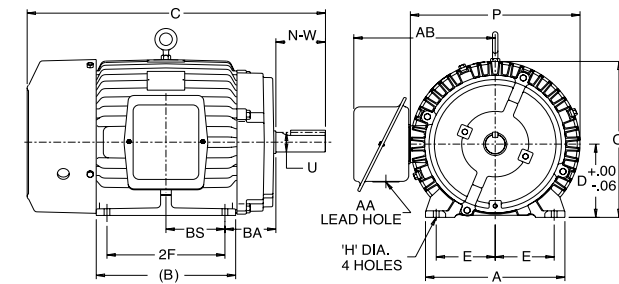
# NEMA®\* QUICK REFERENCE DIMENSIONAL CHART

### Typical C-Face Motor



Contact Regal for "AB", "O", & "P" Dim.

### Typical Rigid Base Motor



Refer to your Marathon catalog for "C" Dim.

NEMA C-Face	BA Dim.
143-5TC	2-3/4
182-4TC	3-1/2
213-5TC	4-1/4
254-6TC	4-3/4

FRAME	D	E	2F	H	U	N-W	AA	AH	AJ	AK	BA	BBk (MIN)	BBk (MAX)	BF
48	3.00	2.12	2.75	.34 SLOT	0.5000	1.50	1.69	3.750	3.000	2.50	2.50	0.13	5.62	1/4-20
56	3.50	2.44	3.00	.34 SLOT	0.6250	1.88	2.06	5.875	4.500	2.75	2.75	0.13	6.50	3/8-16
56H	3.50	2.44	5.00	.34 SLOT	0.6250	1.88	2.06	5.875	4.500	2.75	2.75	0.13	6.50	3/8-16
143T	3.50	2.75	4.00	0.34	0.8750	2.25	2.12	5.875	4.500	2.25	2.25	0.13	6.50	3/8-16
145T	3.50	2.75	5.00	0.34	0.8750	2.25	2.12	5.875	4.500	2.25	2.25	0.13	6.50	3/8-16
182	4.50	3.75	4.50	0.41	0.8750	2.25	2.12	5.875	4.500	2.75	2.75	0.13	6.50	3/8-16
184	4.50	3.75	5.50	0.41	0.8750	2.25	2.12	5.875	4.500	2.75	2.75	0.13	6.50	3/8-16
182T	4.50	3.75	4.50	0.41	1.125	2.75	2.62	7.250	8.500	2.75	2.75	0.25	9.00	1/2-13
184T	4.50	3.75	5.50	0.41	1.125	2.75	2.62	7.250	8.500	2.75	2.75	0.25	9.00	1/2-13
213	5.25	4.25	5.50	0.41	1.125	3.00	2.75	7.250	8.500	3.50	3.50	0.25	9.00	1/2-13
215	5.25	4.25	7.00	0.41	1.125	3.00	2.75	7.250	8.500	3.50	3.50	0.25	9.00	1/2-13
213T	5.25	4.25	5.50	0.41	1.375	3.38	3.12	7.250	8.500	3.50	3.50	0.25	9.00	1/2-13
215T	5.25	4.25	7.00	0.41	1.375	3.38	3.12	7.250	8.500	3.50	3.50	0.25	9.00	1/2-13
254U	6.25	5.00	8.25	0.53	1.375	3.75	3.50	7.250	8.500	4.25	4.25	0.25	10.00	1/2-13
256U	6.25	5.00	10.00	0.53	1.375	3.75	3.50	7.250	8.500	4.25	4.25	0.25	10.00	1/2-13
254T	6.25	5.00	8.25	0.53	1.625	4.00	3.75	7.250	8.500	4.25	4.25	0.25	10.00	1/2-13
256T	6.25	5.00	10.00	0.53	1.625	4.00	3.75	7.250	8.500	4.25	4.25	0.25	10.00	1/2-13
284U	7.00	5.50	9.50	0.53	1.625	4.88	4.62	9.000	10.500	4.75	4.75	0.25	11.25	1/2-13
286U	7.00	5.50	11.00	0.53	1.625	4.88	4.62	9.000	10.500	4.75	4.75	0.25	11.25	1/2-13
284T	7.00	5.50	9.50	0.53	1.875	4.62	4.38	9.000	10.500	4.75	4.75	0.25	11.25	1/2-13
286T	7.00	5.50	11.00	0.53	1.875	4.62	4.38	9.000	10.500	4.75	4.75	0.25	11.25	1/2-13
284TS	7.00	5.50	9.50	0.53	1.625	3.25	3.00	9.000	10.500	4.75	4.75	0.25	11.25	1/2-13
286TS	7.00	5.50	11.00	0.53	1.625	3.25	3.00	9.000	10.500	4.75	4.75	0.25	11.25	1/2-13
324U	8.00	6.25	10.50	0.66	1.875	5.62	5.38	11.000	12.500	5.25	5.25	0.25	14.00	5/8-11
326U	8.00	6.25	12.00	0.66	1.875	5.62	5.38	11.000	12.500	5.25	5.25	0.25	14.00	5/8-11
324T	8.00	6.25	10.50	0.66	2.125	5.25	5.00	11.000	12.500	5.25	5.25	0.25	14.00	5/8-11
326T	8.00	6.25	12.00	0.66	2.125	5.25	5.00	11.000	12.500	5.25	5.25	0.25	14.00	5/8-11
324TS	8.00	6.25	10.50	0.66	1.875	3.75	3.50	11.000	12.500	5.25	5.25	0.25	14.00	5/8-11
326TS	8.00	6.25	12.00	0.66	1.875	3.75	3.50	11.000	12.500	5.25	5.25	0.25	14.00	5/8-11
364U	9.00	7.00	11.25	0.66	2.125	6.38	6.12	11.000	12.500	5.88	5.88	0.25	14.00	5/8-11
365U	9.00	7.00	12.25	0.66	2.125	6.38	6.12	11.000	12.500	5.88	5.88	0.25	14.00	5/8-11
364T	9.00	7.00	11.25	0.66	2.375	5.88	5.62	11.000	12.500	5.88	5.88	0.25	14.00	5/8-11
365T	9.00	7.00	12.25	0.66	2.375	5.88	5.62	11.000	12.500	5.88	5.88	0.25	14.00	5/8-11
364TS	9.00	7.00	11.25	0.66	1.875	3.75	3.50	11.000	12.500	5.88	5.88	0.25	14.00	5/8-11
365TS	9.00	7.00	12.25	0.66	1.875	3.75	3.50	11.000	12.500	5.88	5.88	0.25	14.00	5/8-11
404U	10.00	8.00	12.25	0.81	2.375	7.12	6.88	11.000	12.500	6.62	6.62	0.25	15.50	5/8-11
405U	10.00	8.00	13.75	0.81	2.375	7.12	6.88	11.000	12.500	6.62	6.62	0.25	15.50	5/8-11
404T	10.00	8.00	12.25	0.81	2.875	7.25	7.00	11.000	12.500	6.62	6.62	0.25	15.50	5/8-11
405T	10.00	8.00	13.75	0.81	2.875	7.25	7.00	11.000	12.500	6.62	6.62	0.25	15.50	5/8-11
404TS	10.00	8.00	12.25	0.81	2.125	4.25	4.00	11.000	12.500	6.62	6.62	0.25	15.50	5/8-11
405TS	10.00	8.00	13.75	0.81	2.125	4.25	4.00	11.000	12.500	6.62	6.62	0.25	15.50	5/8-11
444U	11.00	9.00	14.50	0.81	2.875	8.62	8.38	14.000	16.000	7.50	7.50	0.25	18.00	5/8-11
445U	11.00	9.00	16.50	0.81	2.875	8.62	8.38	14.000	16.000	7.50	7.50	0.25	18.00	5/8-11
444T	11.00	9.00	14.50	0.81	3.375	8.50	8.25	14.000	16.000	7.50	7.50	0.25	18.00	5/8-11
445T	11.00	9.00	16.50	0.81	3.375	8.50	8.25	14.000	16.000	7.50	7.50	0.25	18.00	5/8-11
444TS	11.00	9.00	14.50	0.81	2.375	4.75	4.50	14.000	16.000	7.50	7.50	0.25	18.00	5/8-11
445TS	11.00	9.00	16.50	0.81	2.375	4.75	4.50	14.000	16.000	7.50	7.50	0.25	18.00	5/8-11
447T	11.00	9.00	20.00	0.81	3.375	8.50	8.25	14.000	16.000	7.50	7.50	0.25	18.00	5/8-11
449T	11.00	9.00	25.00	0.81	3.375	8.50	8.25	14.000	16.000	7.50	7.50	0.25	18.00	5/8-11
447TS	11.00	9.00	20.00	0.81	2.375	4.75	4.50	14.000	16.000	7.50	7.50	0.25	18.00	5/8-11
449TS	11.00	9.00	25.00	0.81	2.375	4.75	4.50	14.000	16.000	7.50	7.50	0.25	18.00	5/8-11

\*NEMA is a trademark of National Electrical Manufacturers Association and is not owned by or under the control of Regal Beloit Corporation.

**marathon**<sup>®</sup>  
Motors



**Regal Beloit America, Inc.**

100 East Randolph Street  
Wausau, WI 54402-8003  
Phone: 715-675-3359  
Fax: 715-675-8026  
www.regalbeloit.com

**APPLICATION CONSIDERATIONS**

The proper selection and application of products and components, including the related area of product safety, is the responsibility of the customer. Operating and performance requirements and potential associated issues will vary appreciably depending upon the use and application of such products and components. The scope of the technical and application information included in this publication is necessarily limited. Unusual operating environments and conditions, lubrication requirements, loading supports, and other factors can materially affect the application and operating results of the products and components and the customer should carefully review its requirements. Any technical advice or review furnished by Regal Beloit America, Inc. and/or its affiliates ("Regal") with respect to the use of products and components is given in good faith and without charge, and Regal assumes no obligation or liability for the advice given, or results obtained, all such advice and review being given and accepted at customer's risk.

For a copy of our Standard Terms and Conditions of Sale, please visit <https://www.regalbeloit.com/Terms-and-Conditions-of-Sale>. These terms and conditions of sale, disclaimers and limitations of liability apply to any person who may buy, acquire or use a Regal product referred to herein, including any person who buys from a licensed distributor of these branded products.

The following trademarks are not owned by, or under the control of Regal Beloit Corporation: Avtron is a trademark or tradename of Avtron Mfg; BEI is a trademark or trade name of Sensata Technologies, Inc.; CE is a trademark or tradename of European Unions; CSA a trademark or trade name by CSA Group; Dynapar and Danaher are trademarks or tradenames of Danaher Corporation; Inpro/Seal and VBX are trademarks or tradenames of Dover Corporation; Mobil Polyrex is a trademark or tradename of Exxon Mobil Corporation; NEMA and NEMA Premium are trademarks or tradenames of National Electrical Manufacturers Association; Northstar is a trademark or tradename of Northern Tool & Equipment; Stearns is a trademark of Rexnord Corporation; UL is a trademark or trade name of Underwriters Laboratories.

Regal, BCP, Black Max, Blue Max, Blue Chip Series, Globetrotter, MAX GUARD, Marathon and XRI are trademarks of Regal Beloit Corporation or one of its affiliated companies.

© 2020, 2021 Regal Beloit Corporation, All Rights Reserved. MCB20044E • Form# SB0257E

The REGAL logo features the word "REGAL" in a bold, italicized, sans-serif font. The text is white and is set against a dark gray, trapezoidal background that tapers to the right. A registered trademark symbol (®) is located at the top right corner of the background.