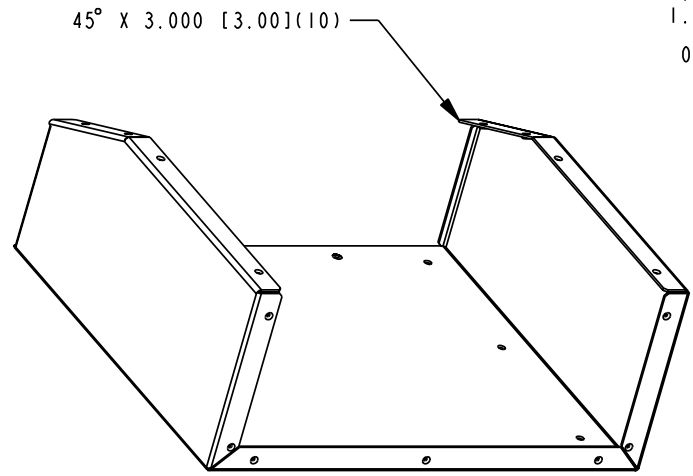
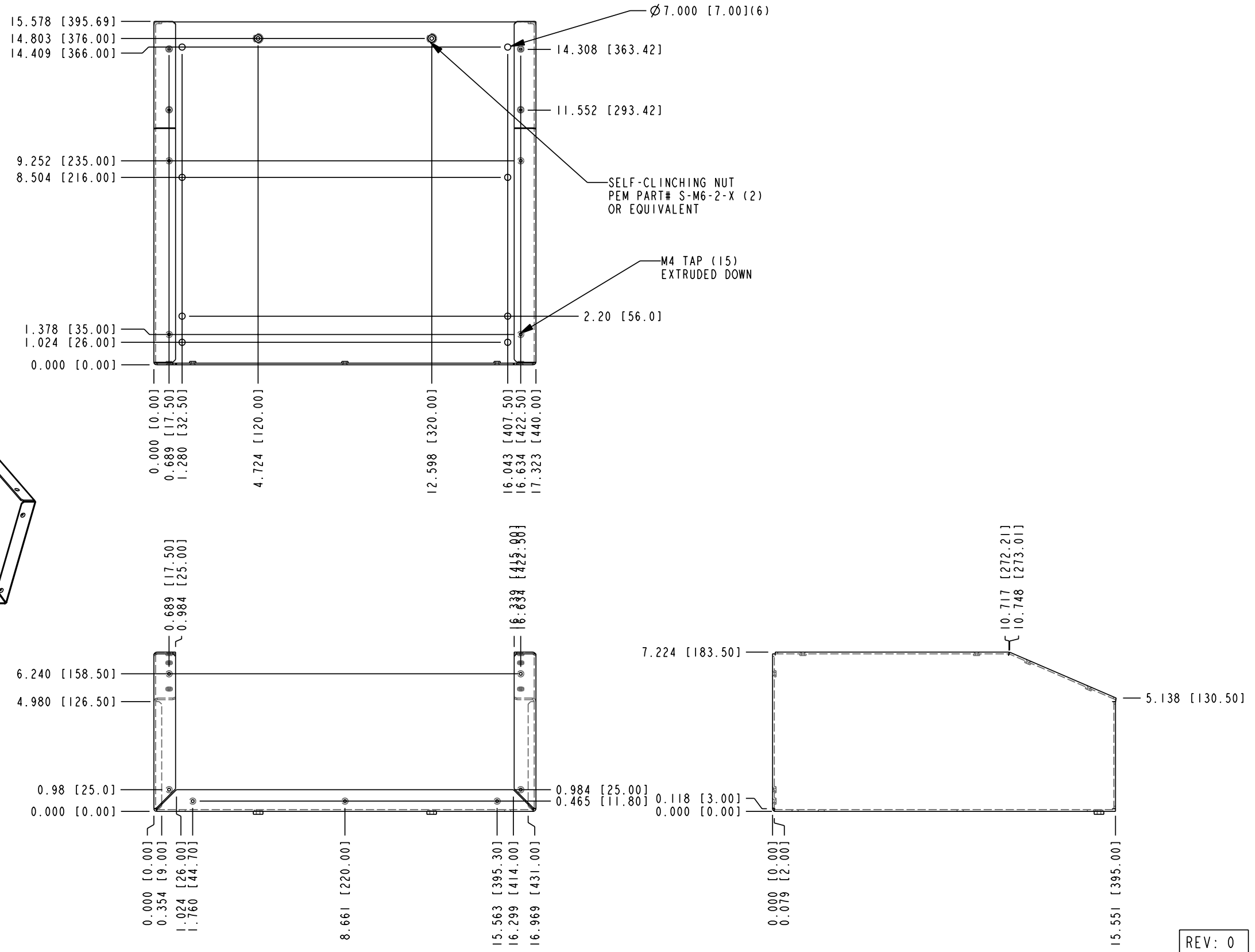


SPECIFICATIONS:
MATERIAL: 14\2mm GA.
 GALVALUME
FINISH:
REFER TO: ST-3015



SCALE 1/8

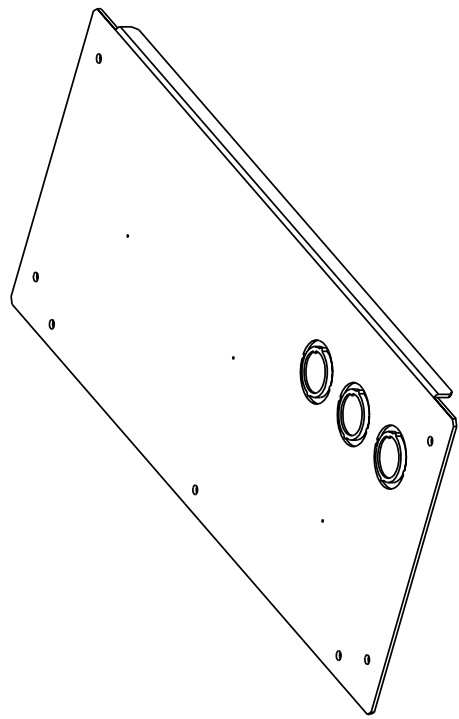


TOLERANCE:
 .XXX TO ±.015
 .XXXX TO ±.005

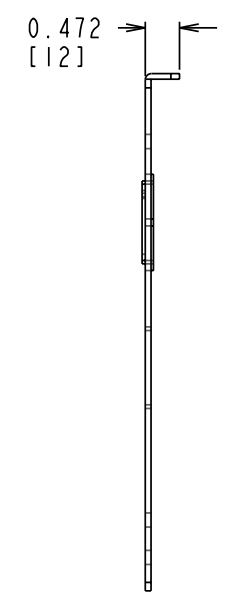
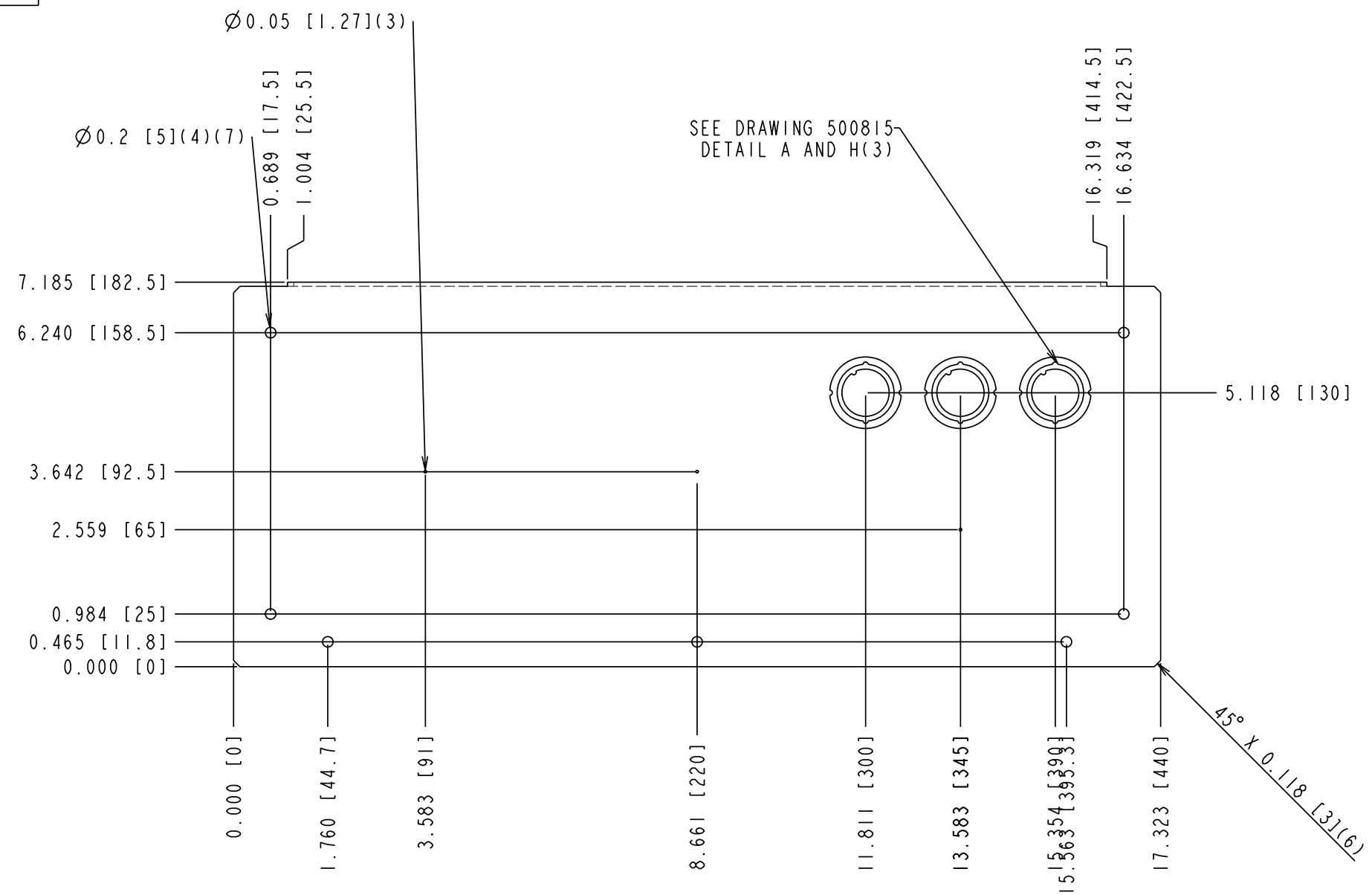
REV: 0

			DRAWN BY:	DATE	THIS MATERIAL IS THE EXCLUSIVE PROPERTY OF ST INVERTER AMERICA INCORPORATED AND SHALL NOT BE REPRODUCED, USED OR DISCLOSED TO OTHERS UNLESS PRIOR WRITTEN AUTHORIZATION IS OBTAINED.	TITLE: PANEL NEMA 1 BOX RSX-E SIZE 12	SCALE	ORDER NO.
			CHECKED BY:	DATE			3/16	
			APPROVED BY:	DATE			DRAWING NO.	
ST INVERTER AMERICA INCORPORATED						500826		SH. 1 OF 1
6350 W. SAM HOUSTON PKWY N. HOUSTON, TX, 77041 U.S.A.								

SPECIFICATIONS:
MATERIAL: 14\2mm GA.
 GALVALUME
FINISH:
REFER TO: ST-3015



SCALE 1/4



TOLERANCE:
 .XXX TO ±.015
 .XXXX TO ±.005

REV: 0

			DRAWN BY:	DATE	THIS MATERIAL IS THE EXCLUSIVE PROPERTY OF ST INVERTER AMERICA INCORPORATED AND SHALL NOT BE REPRODUCED, USED OR DISCLOSED TO OTHERS UNLESS PRIOR WRITTEN AUTHORIZATION IS OBTAINED.	TITLE:	SCALE	ORDER NO.
			VB	25-Jan-05				
			CHECKED BY:	DATE				
			APPROVED BY:	DATE	ST INVERTER AMERICA INCORPORATED 6350 W. SAM HOUSTON PKWY N. HOUSTON, TX, 77041 U.S.A.	DRAWING NO.	500827	SH. 1 OF 1

SPECIFICATIONS:

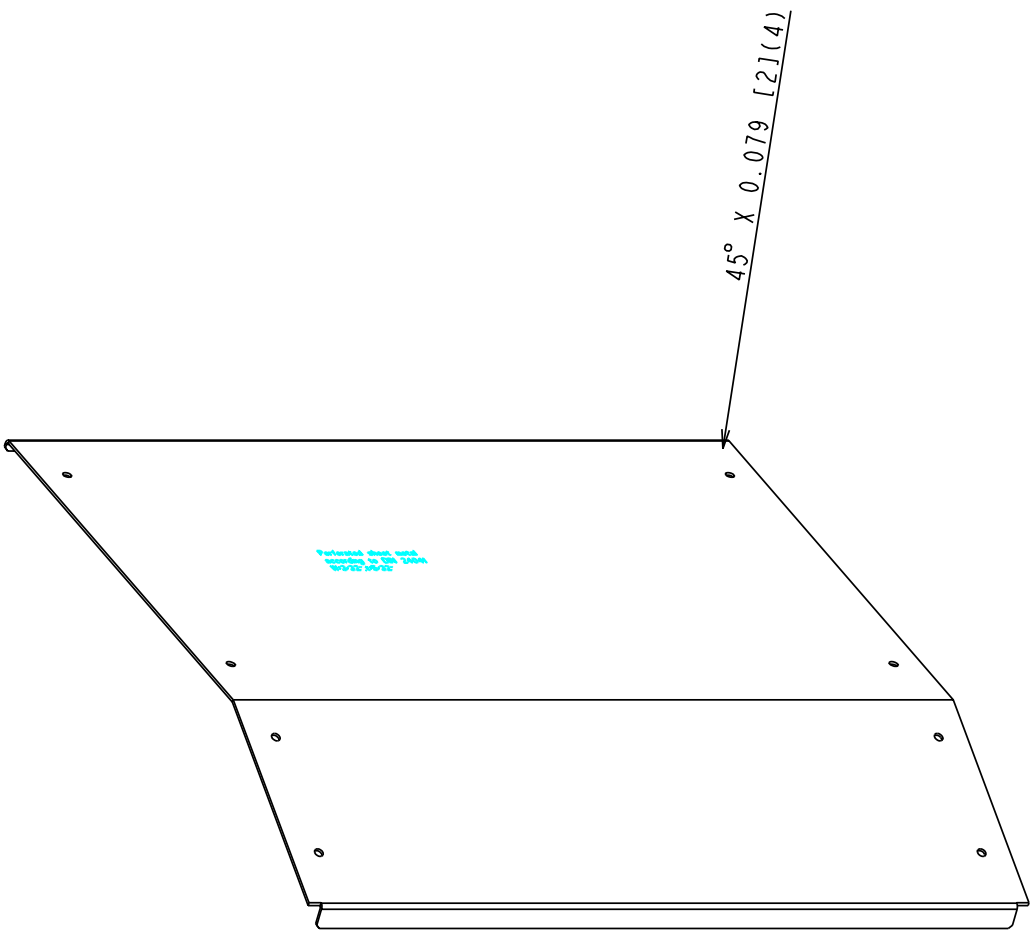
MATERIAL: 16\1.5mm GA. GALVALUME PERFORATED SHEET
3/32" DIA. 5/32" STAGGERED ROW CENTERS

FINISH: DARK GREY RAL 7016HR

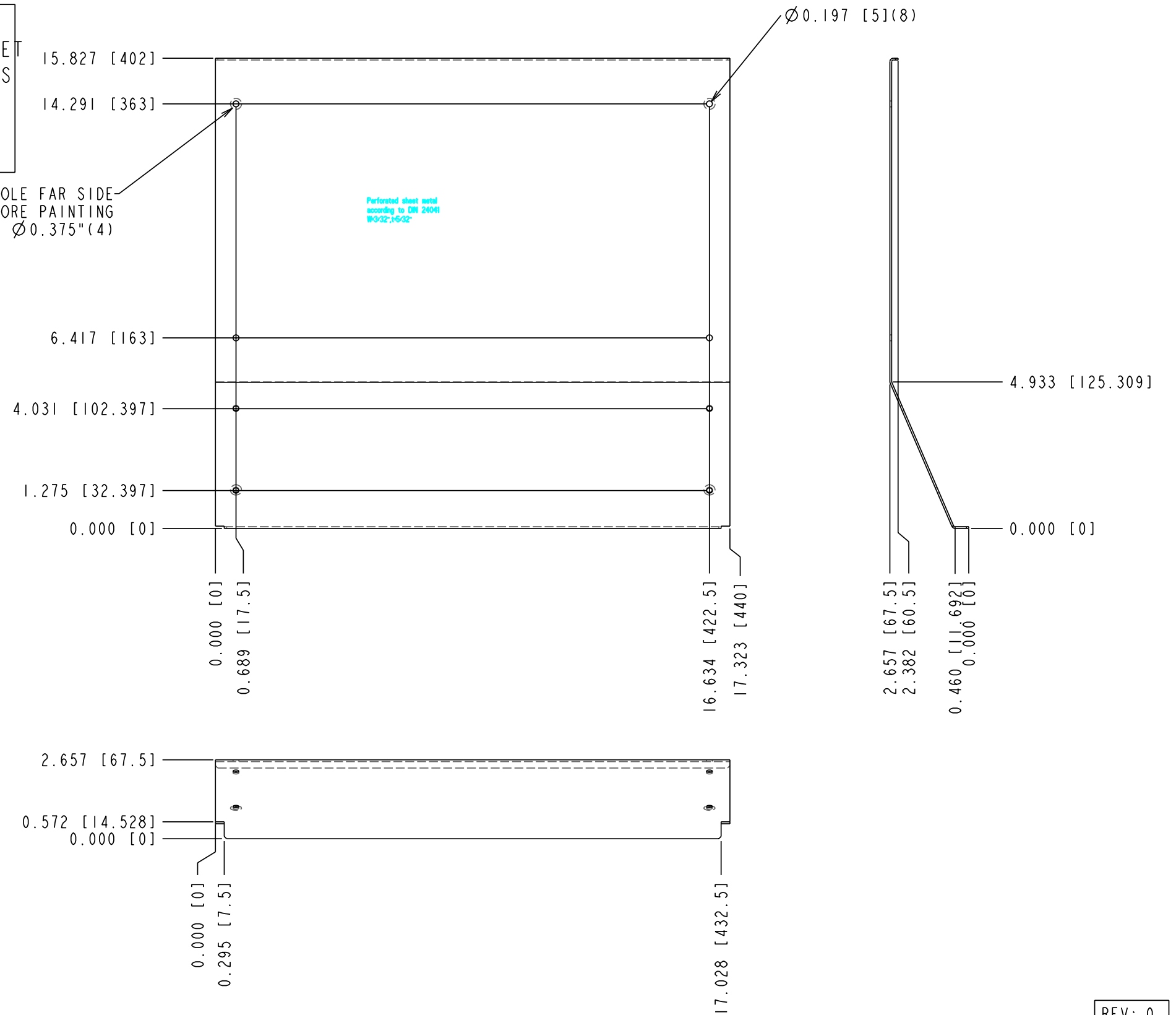
REFER TO: ST-3015

MASK HOLE FAR SIDE
BEFORE PAINTING
MIN. Ø0.375"(4)

Perforated sheet metal
according to DIN 24041
W=32; t=0.32"



SCALE 1/4

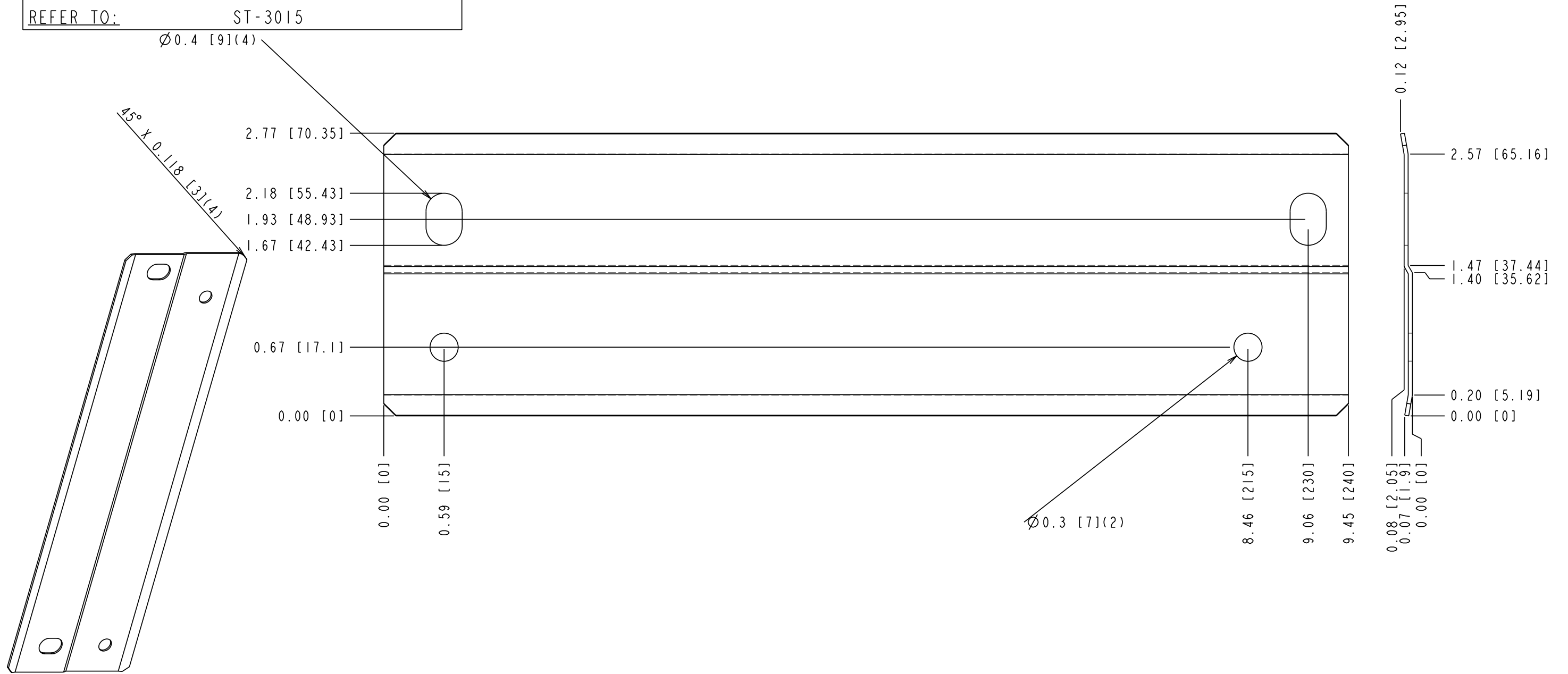


TOLERANCE:
.XXX TO ±.015
.XXXX TO ±.005

REV: 0

			DRAWN BY:	DATE	THIS MATERIAL IS THE EXCLUSIVE PROPERTY OF ST INVERTER AMERICA INCORPORATED AND SHALL NOT BE REPRODUCED, USED OR DISCLOSED TO OTHERS UNLESS PRIOR WRITTEN AUTHORIZATION IS OBTAINED.	TITLE: FRONT COVER NEMA1 RSX-E SIZE 12	SCALE	ORDER NO.
			VB	21-0ct-05			1/4	
			CHECKED BY:	DATE			DRAWING NO.	
			APPROVED BY:	DATE	ST INVERTER AMERICA INCORPORATED 6350 W. SAM HOUSTON PKWY N. HOUSTON, TX. 77041 U.S.A.		500828	SH. 1 OF 1

SPECIFICATIONS:
MATERIAL: 20\1mm GA.
 GALVALUME
FINISH:
REFER TO: ST-3015



SCALE 1/2

TOLERANCE:
 .XXX TO ±.015
 .XXXX TO ±.005

REV: 0

			DRAWN BY:	DATE	THIS MATERIAL IS THE EXCLUSIVE PROPERTY OF ST INVERTER AMERICA INCORPORATED AND SHALL NOT BE REPRODUCED, USED OR DISCLOSED TO OTHERS UNLESS PRIOR WRITTEN AUTHORIZATION IS OBTAINED.	TITLE:	SCALE	ORDER NO.
			VB	21-0ct-05				
			CHECKED BY:	DATE				
			APPROVED BY:	DATE	ST INVERTER AMERICA INCORPORATED 6350 W. SAM HOUSTON PKWY N. HOUSTON, TX. 77041 U.S.A.	DRAWING NO.	500829	SH. 1 OF 1