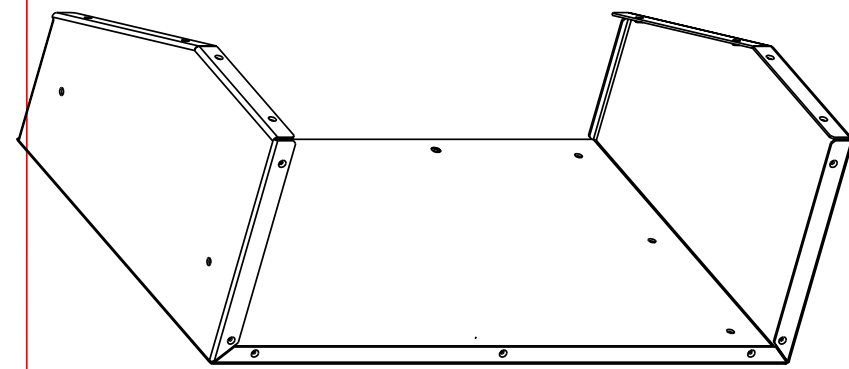
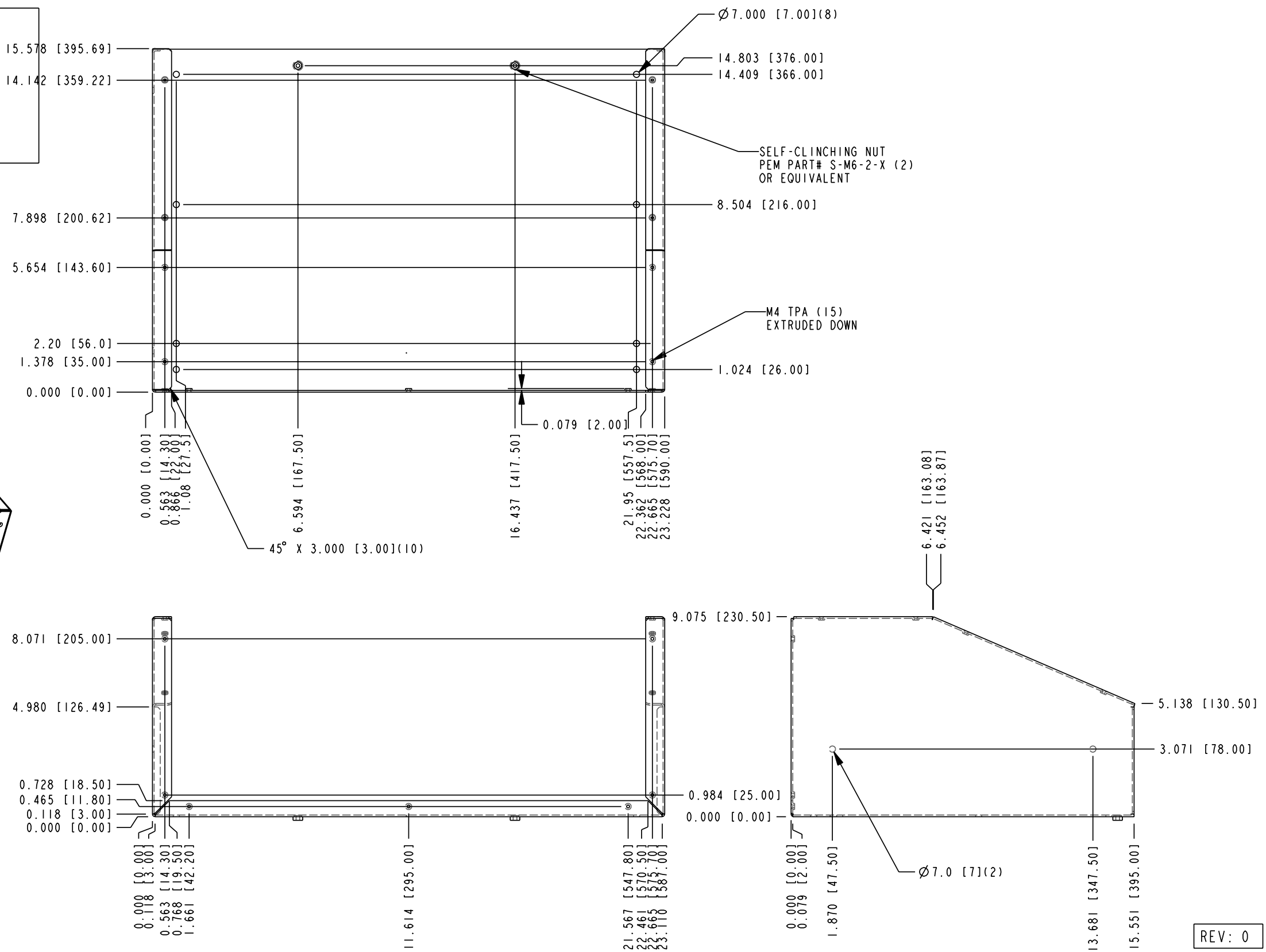


SPECIFICATIONS:
MATERIAL: 14\2mm GA. GALVALUME
FINISH:
REFER TO: ST-3015



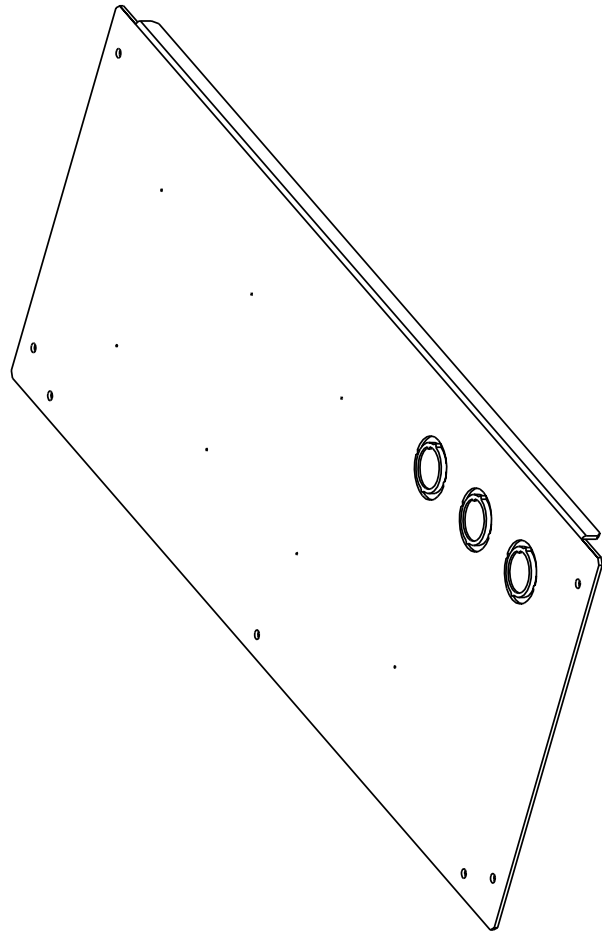
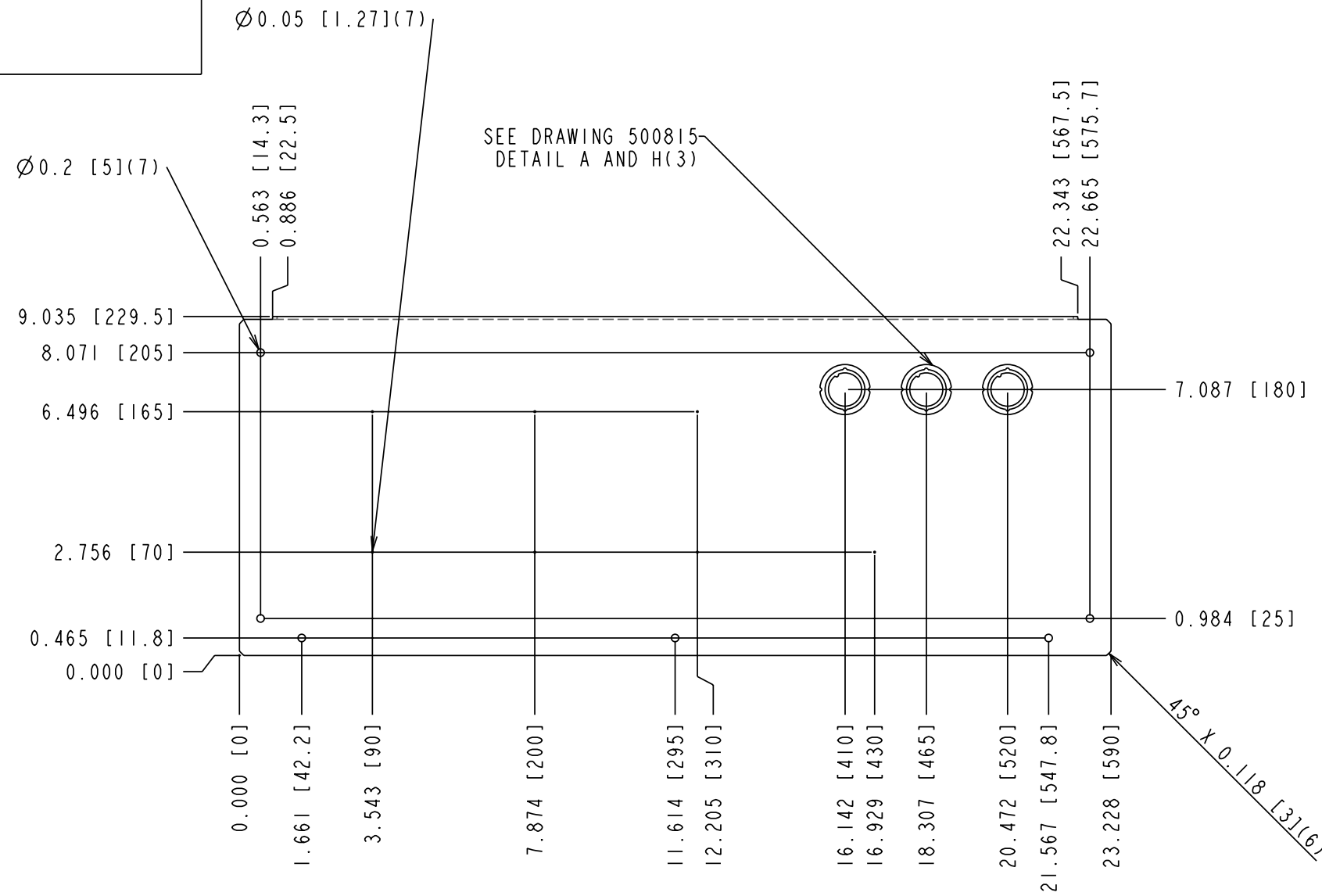
SCALE 1/8

TOLERANCE:
 .XXX TO ±.015
 .XXXX TO ±.005

REV: 0

		DRAWN BY:	DATE	THIS MATERIAL IS THE EXCLUSIVE PROPERTY OF ST INVERTER AMERICA INCORPORATED AND SHALL NOT BE REPRODUCED, USED OR DISCLOSED TO OTHERS UNLESS PRIOR WRITTEN AUTHORIZATION IS OBTAINED.	TITLE: PANEL NEMA1 BOX RSX-E SIZE 13	SCALE	ORDER NO.
		VB	21-0ct-05			3/16	
		CHECKED BY:	DATE			DRAWING NO.	
		APPROVED BY:	DATE	ST INVERTER AMERICA INCORPORATED 6350 W. SAM HOUSTON PKWY N. HOUSTON, TX, 77041 U.S.A.		500830	SH. 1 OF 1

SPECIFICATIONS:
MATERIAL: 14\2mm GA.
 GALVALUME
FINISH:
REFER TO: ST-3015



SCALE 1/4

TOLERANCE:
 .XXX TO ±.015
 .XXXX TO ±.005

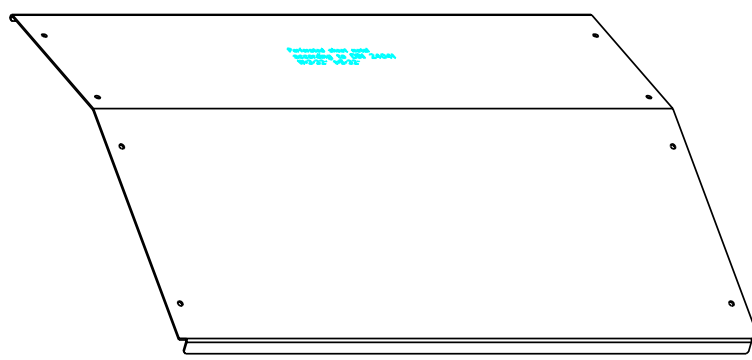
REV: 0

			DRAWN BY: VB	DATE 21-0ct-05	THIS MATERIAL IS THE EXCLUSIVE PROPERTY OF ST INVERTER AMERICA INCORPORATED AND SHALL NOT BE REPRODUCED, USED OR DISCLOSED TO OTHERS UNLESS PRIOR WRITTEN AUTHORIZATION IS OBTAINED.	TITLE: PLATE NEMA I CONDUIT RSX-E SIZE 13	SCALE 1/4	ORDER NO.
			CHECKED BY:	DATE			DRAWING NO. 500831	
			APPROVED BY:	DATE			SH. 1 OF 1	
ST INVERTER AMERICA INCORPORATED						6350 W. SAM HOUSTON PKWY N. HOUSTON, TX. 77041 U.S.A.		

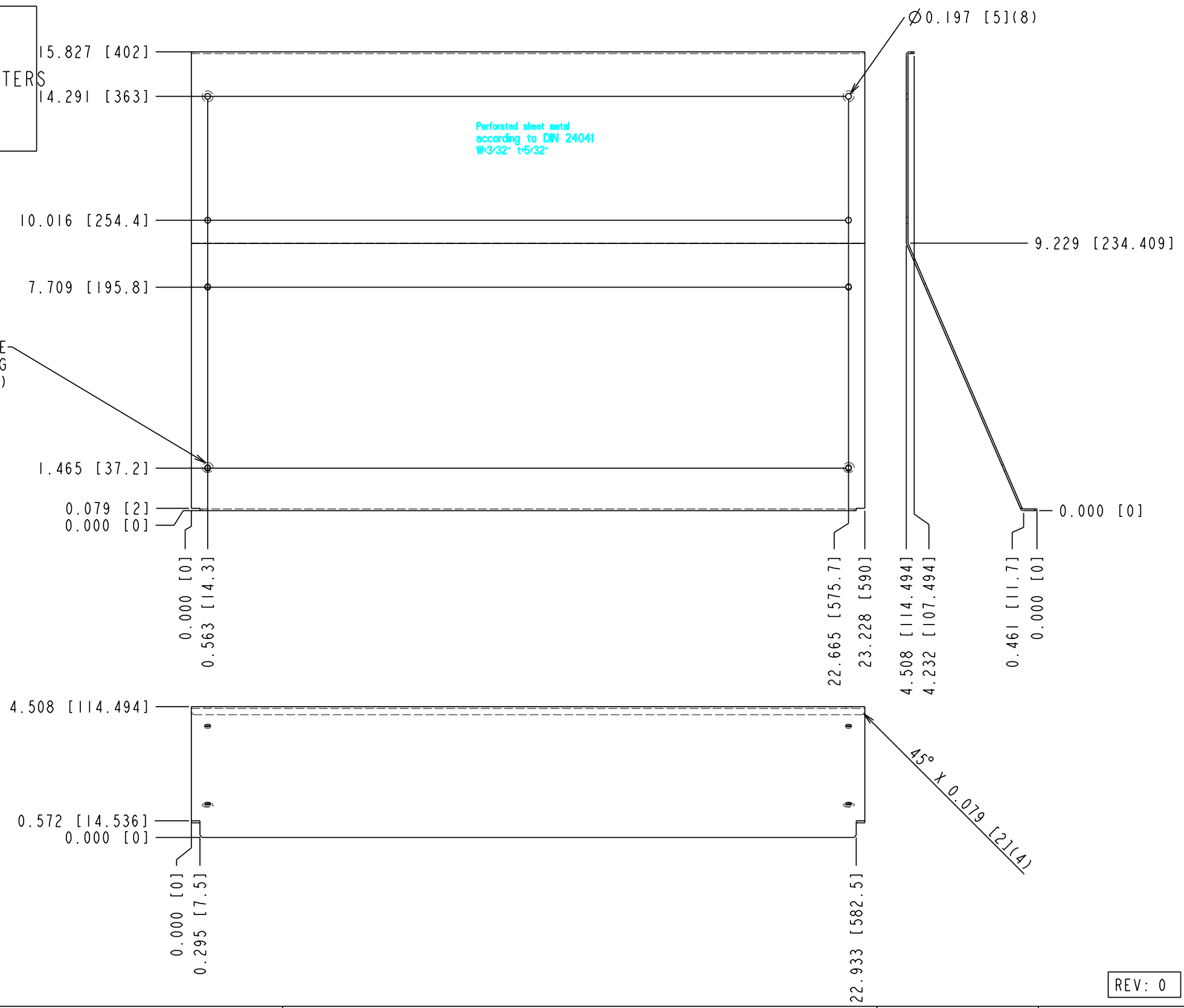
SPECIFICATIONS:
MATERIAL: 16\1.5mm GA. GALVALUME PERFORATED
 3/32"DIA. 5/32" STAGGERED ROW CENTERS
FINISH: DARK GREY RAL 7016 HR
REFER TO: ST-3015

Perforated sheet metal
 according to DIN 24041
 W:3/32" t:5/32"

MASK HOLE FAR SIDE
 BEFORE PAINTING
 MIN. \varnothing 0.0375"(4)



SCALE 3/20

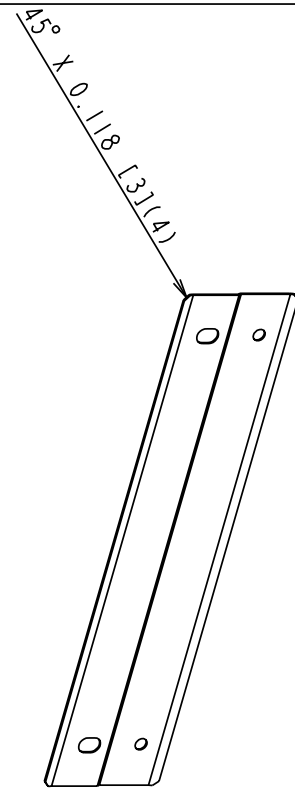


TOLERANCE:
 .XXX TO \pm .015
 .XXXX TO \pm .005

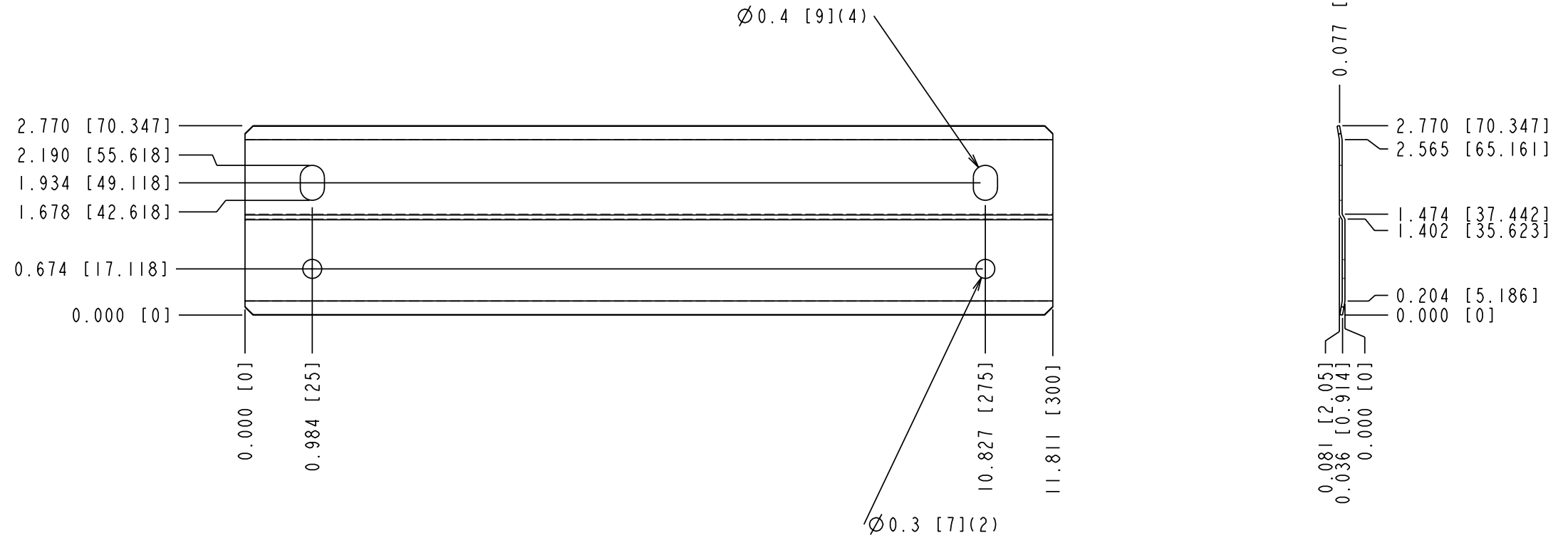
REV: 0

			DRAWN BY:	DATE	THIS MATERIAL IS THE EXCLUSIVE PROPERTY OF ST INVERTER AMERICA INCORPORATED AND SHALL NOT BE REPRODUCED, USED OR DISCLOSED TO OTHERS UNLESS PRIOR WRITTEN AUTHORIZATION IS OBTAINED.	TITLE:	SCALE	ORDER NO.
			VB	21-0ct-05			1/4	
			CHECKED BY:	DATE			DRAWING NO.	
			APPROVED BY:	DATE	ST INVERTER AMERICA INCORPORATED		500832	SH. 1 OF 1
						6350 W. SAM HOUSTON PKWY N. HOUSTON, TX. 77041 U.S.A.		

SPECIFICATIONS:
MATERIAL: 2011mm GA.
 GALVALUME
FINISH:
REFER TO: ST-3015



SCALE 1/4



TOLERANCE:
 .XXX TO ±.015
 .XXXX TO ±.005

REV: 0

			DRAWN BY:	DATE	THIS MATERIAL IS THE EXCLUSIVE PROPERTY OF ST INVERTER AMERICA INCORPORATED AND SHALL NOT BE REPRODUCED, USED OR DISCLOSED TO OTHERS UNLESS PRIOR WRITTEN AUTHORIZATION IS OBTAINED.	TITLE:	SCALE	ORDER NO.
			VB	21-0ct-05			1/2	
			CHECKED BY:	DATE			DRAWING NO.	
			APPROVED BY:	DATE	ST INVERTER AMERICA INCORPORATED		500833	SH. 1 OF 1
						6350 W. SAM HOUSTON PKWY N. HOUSTON, TX. 77041 U.S.A.		