

ITEM	QTY	UOM	PART NO	DESCRIPTION
70	1	EA	PC94060P410	LABEL, PART/SERIAL #
100	1	EA	NVE51460	HOUSING, UPR
105	1	EA	NVE51461	HOUSING, LWR
110	1	EA	NVE51464	PLATE, FRONT COVER
115	1	EA	NVE51465	PLATE, BASE
125	1	EA	NVE51469	BRACKET, DUCT
135	2	EA	PC81158P474	STRUT, 1.62 X .88 X 11.12
140	4.3	FT	PC04600P013	GASKET, NEOPRENE
200	2	EA	NVE51468	BRACKET, SUPPORT
205	2	EA	NVE85426	BRACKET, BOX HANGER
210	2	EA	NVE85427	BRACKET, VFD HINGER
220	4	EA	NHA62342	CLAMP, CABLE, 2"
230	4	EA	PC74070P061	PLUG, KNOCKOUT, .875
231	5	EA	PC74070P111	PLUG, KNOCKOUT, 1.5
232	4	EA	PC74070P201	PLUG, KNOCKOUT, 2.5
300	6	EA	01927	SCREW, M6 X 16, SEMS
310	8	EA	PC76255P108	BOLT, M8 X 16MM, HEX
311	8	EA	PC76255P300	WASHER, LOCK, M8
312	8	EA	PC76255P120	WASHER, FLAT, M8

PARTS WITH BALLOON NUMBERS IN 200 AND 300 RANGE ARE PART OF THE INSTALLATION KIT

FILE PATH: Q:\FIRST USED ON\PROJECTS\NO NUMBERS\NEM1306Z

SAFETY CLASSIFICATION CODE:

REV	DATE	DESCRIPTION	BY	CHK	APPR
4					
3					
2					
1					
0	07/11/17	FIRST ISSUE	MWF	SE	AL

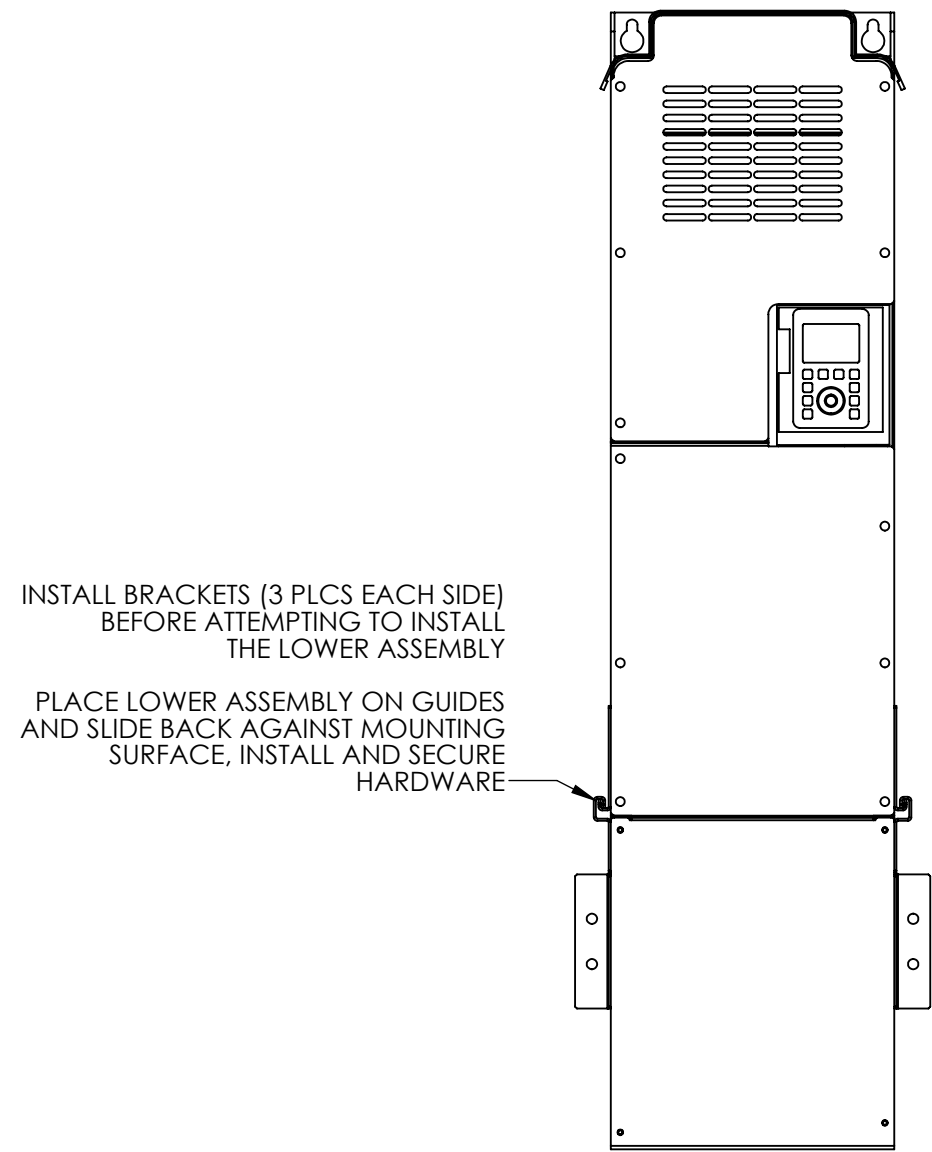
**TOSHIBA**  
**TOSHIBA INTERNATIONAL CORPORATION**  
 MADE IN HOUSTON, TEXAS U.S.A.  
 THIS MATERIAL IS THE EXCLUSIVE PROPERTY OF TOSHIBA INTERNATIONAL CORPORATION AND SHALL NOT BE USED, REPRODUCED OR DISCLOSED TO OTHERS UNLESS PRIOR WRITTEN AUTHORIZATION IS OBTAINED.

TITLE: AS3, NEMA 1 KIT, FRAME A6

PRODUCT:

SHEET 1 OF 2

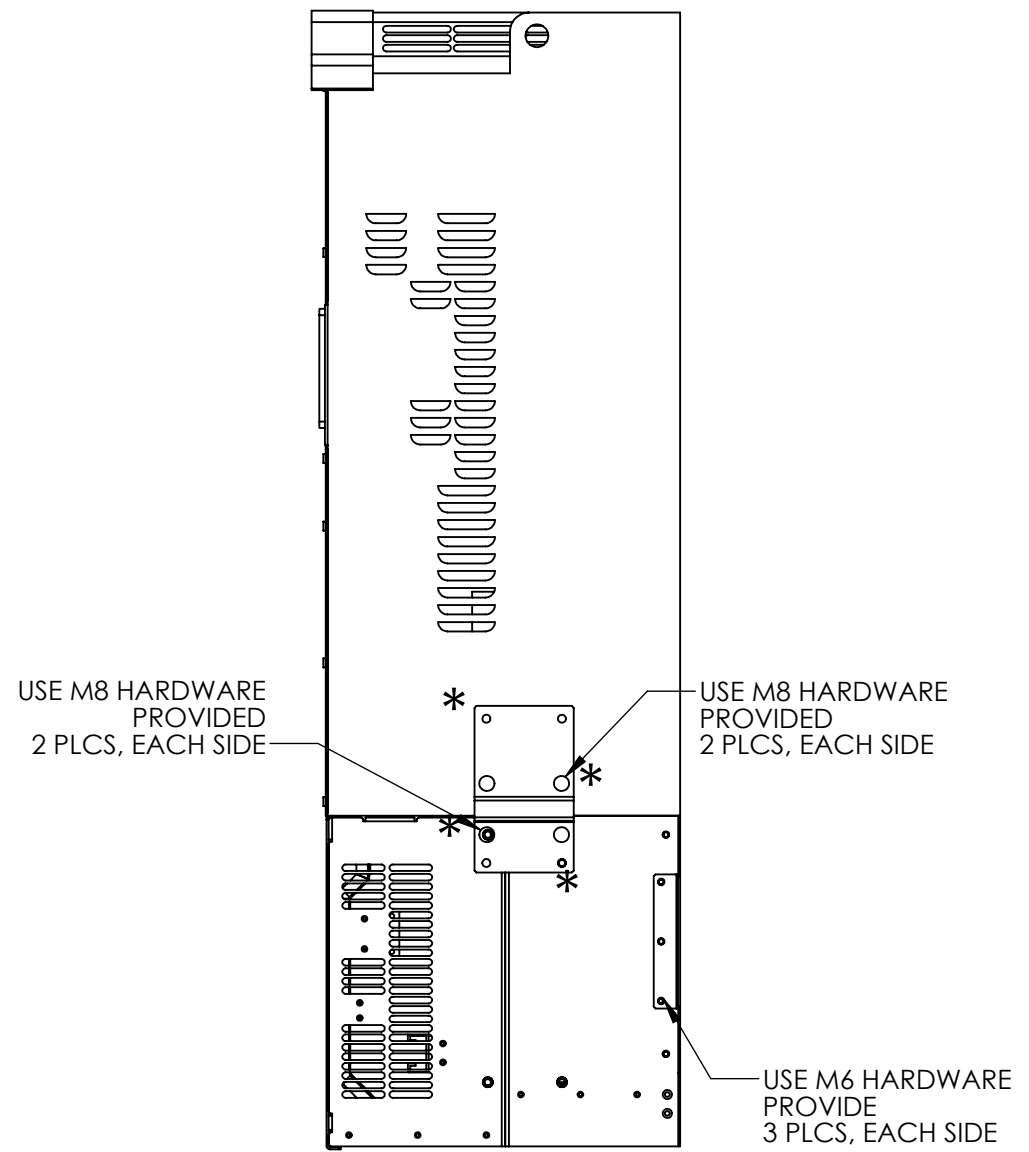
REVISION: 0 SCALE: 1:8  
 FILE NAME:  
 PART NUMBER: NEM1306Z



INSTALL BRACKETS (3 PLCS EACH SIDE) BEFORE ATTEMPTING TO INSTALL THE LOWER ASSEMBLY

PLACE LOWER ASSEMBLY ON GUIDES AND SLIDE BACK AGAINST MOUNTING SURFACE, INSTALL AND SECURE HARDWARE

FRONT VIEW

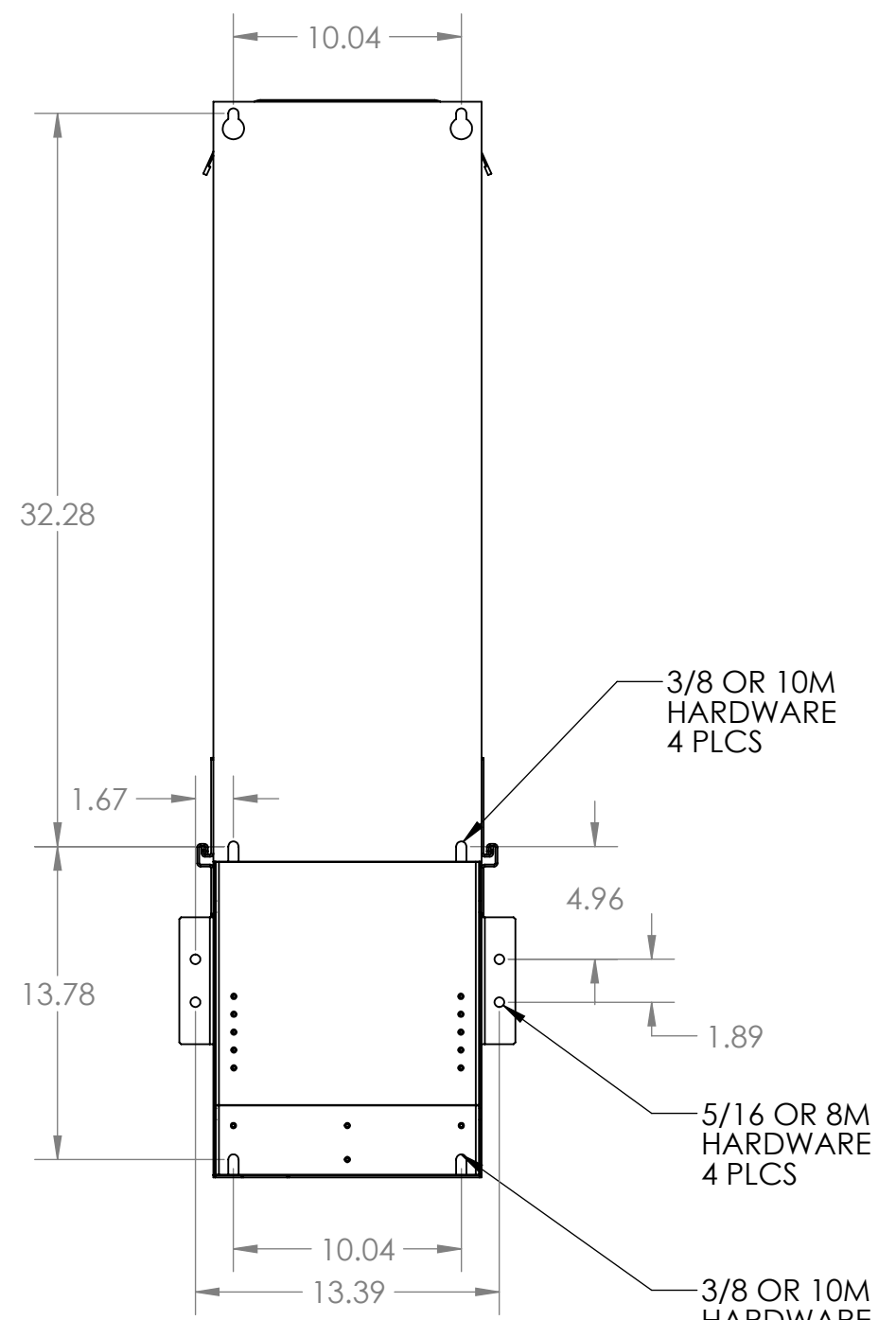


USE M8 HARDWARE PROVIDED 2 PLCS, EACH SIDE

USE M8 HARDWARE PROVIDED 2 PLCS, EACH SIDE

USE M6 HARDWARE PROVIDE 3 PLCS, EACH SIDE

RIGHT SIDE VIEW



32.28

10.04

1.67

4.96

1.89

13.78

10.04

13.39

3/8 OR 10M HARDWARE 4 PLCS

5/16 OR 8M HARDWARE 4 PLCS

3/8 OR 10M HARDWARE 2 PLCS

REAR VIEW

SAFETY CLASSIFICATION CODE:

4					
3					
2					
1					
0	07/11/17	FIRST ISSUE	MWF	SE	AL
REV	DATE	DESCRIPTION	BY	CHK	APPR

**TOSHIBA**  
**TOSHIBA INTERNATIONAL CORPORATION**  
 MADE IN HOUSTON, TEXAS U.S.A.  
 THIS MATERIAL IS THE EXCLUSIVE PROPERTY OF TOSHIBA INTERNATIONAL CORPORATION AND SHALL NOT BE USED, REPRODUCED OR DISCLOSED TO OTHERS UNLESS PRIOR WRITTEN AUTHORIZATION IS OBTAINED.

TITLE: AS3, NEMA 1 KIT, FRAME A6

PRODUCT:

REVISION: 0 SCALE: 1:12

FILE NAME:

PART NUMBER: NEM1306Z