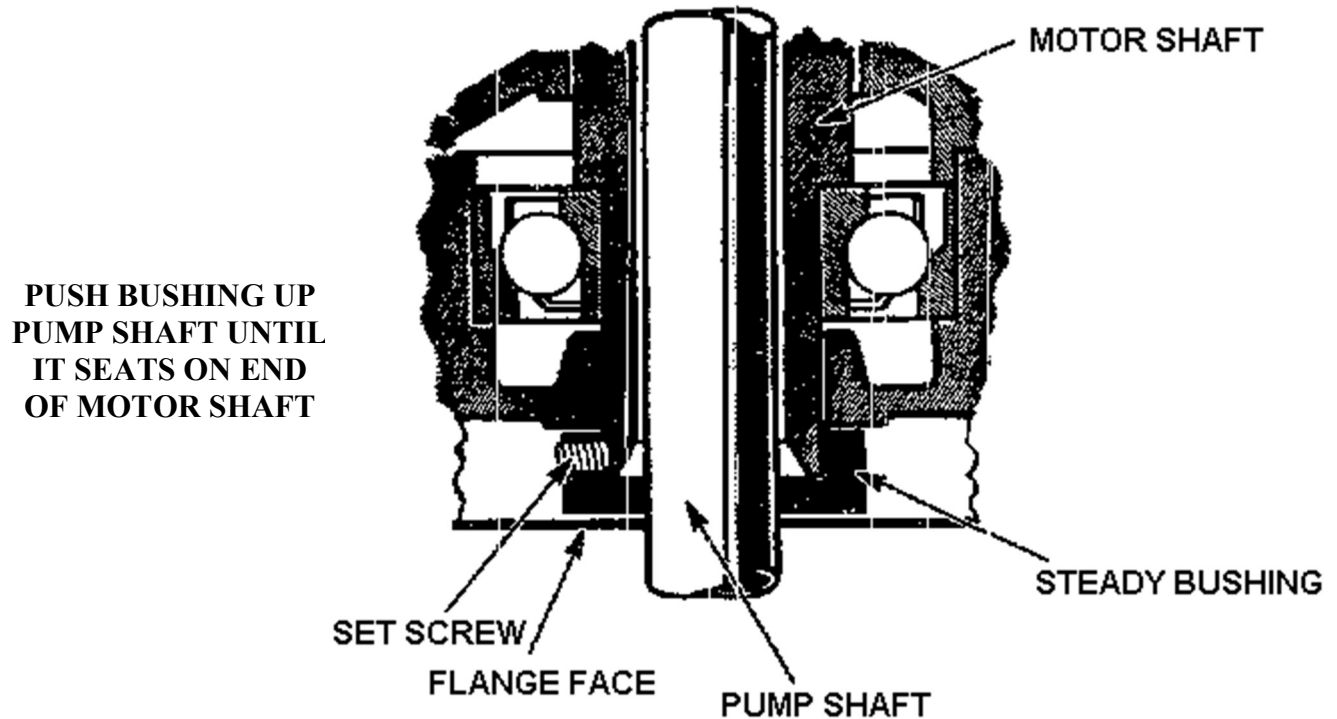


Steady Bushing Installation and Maintenance



INSTRUCTIONS:

This steady bushing is provided to stabilize the pump head-shaft and center it in the bore of the motor shaft at the lower end of the motor.

The bushing should be assembled onto the head-shaft before the motor is installed, and left disengaged until the motor is coupled to the shaft. If motor is received with slinger on bottom end of shaft, remove slinger before lowering motor onto pump shaft.

Make direction of rotation check and any other no-load tests desired before coupling motor to pump shaft or engaging steady bushing. When ready to drive pump, couple motor to pump-shaft and slide bushing up pump shaft until it engages lower end of motor and secure there with set-screws.

Do not run motor uncoupled from pump without disengaging steady bushing from motor shaft.