

**BALDOR® • RELIANCE** 

**Product Information Packet**

**NM3534**

**.33HP, 1725RPM, 3PH, 60HZ, 56, 3416M, TENV, F1**

Part Detail							
Revision:	Q	Status:	PRD/A	Change #:		Proprietary:	No
Type:	AC	Elec. Spec:	34WG0116	CD Diagram:	CD0005	Mfg Plant:	
Mech. Spec:	34A076	Layout:	34LYA076	Poles:	04	Created Date:	
Base:	RG	Eff. Date:	02-15-2018	Leads:	9#18		

Specs			
Catalog Number:	NM3534	Insulation Class:	F
Enclosure:	TENV	Inverter Code:	Not Inverter
Frame:	56	KVA Code:	K
Frame Material:	Steel	Lifting Lugs:	No Lifting Lugs
Output @ Frequency:	.330 HP @ 60 HZ	Locked Bearing Indicator:	No Locked Bearing
Synchronous Speed @ Frequency:	1800 RPM @ 60 HZ	Motor Lead Quantity/Wire Size:	9 @ 18 AWG
Voltage @ Frequency:	460.0 V @ 60 HZ	Motor Lead Exit:	Ko Box
	230.0 V @ 60 HZ	Motor Lead Termination:	Flying Leads
XP Class and Group:	None	Motor Type:	3416M
XP Division:	Not Applicable	Mounting Arrangement:	F1
Agency Approvals:	CSA	Power Factor:	64
	UR	Product Family:	General Purpose
Auxillary Box:	No Auxillary Box	Pulley End Bearing Type:	Ball
Auxillary Box Lead Termination:	None	Pulley Face Code:	Standard
Base Indicator:	Rigid	Pulley Shaft Indicator:	Standard
Bearing Grease Type:	Polyrex EM (-20F +300F)	Rodent Screen:	None
Blower:	None	Shaft Extension Location:	Pulley End
Current @ Voltage:	.700 A @ 460.0 V	Shaft Ground Indicator:	No Shaft Grounding

	1.400 A @ 230.0 V	<b>Shaft Rotation:</b>	Reversible
	1.550 A @ 208.0 V	<b>Shaft Slinger Indicator:</b>	No Slinger
<b>Design Code:</b>	B	<b>Speed Code:</b>	Single Speed
<b>Drip Cover:</b>	No Drip Cover	<b>Motor Standards:</b>	NEMA
<b>Duty Rating:</b>	CONT	<b>Starting Method:</b>	Direct on line
<b>Electrically Isolated Bearing:</b>	Not Electrically Isolated	<b>Thermal Device - Bearing:</b>	None
<b>Feedback Device:</b>	NO FEEDBACK	<b>Thermal Device - Winding:</b>	None
<b>Front Face Code:</b>	Standard	<b>Vibration Sensor Indicator:</b>	No Vibration Sensor
<b>Front Shaft Indicator:</b>	None	<b>Winding Thermal 1:</b>	None
<b>Heater Indicator:</b>	No Heater	<b>Winding Thermal 2:</b>	None

Nameplate NP1256L										
CAT.NO.	NM3534									
SPEC.	34A76-116G1									
HP	.33									
VOLTS	230/460									
AMP	1.4/.7									
RPM	1725									
FRAME	56				HZ	60			PH	3
SER.F.	1.35		CODE	K	DES	B		CLASS	F	
NEMA-NOM-EFF	70		PF	64						
RATING	40C AMB-CONT									
CC									USABLE AT 208V	1.55
DE	6203				ODE	6203				
ENCL	TENV		SN							
	SFA 1.5/.75									

Parts List		
Part Number	Description	Quantity
SA009931	SA 34A76-116G1	1.000 EA
RA006376	RA 34A76-116G1	1.000 EA
NS2512A01	INSULATOR, CONDUIT BOX X	1.000 EA
34CB3002A	CB CAST W/.88 DIA HOLE	1.000 EA
34GS1029A01	GASKET, CONDUIT BOX	1.000 EA
51XB1016A07	10-16 X 7/16 HXWSSLD SERTYB	2.000 EA
11XW1032G06	10-32 X .38, TAPTITE II, HEX WSHR SLTD U	1.000 EA
34EP3100A03SP	FR ENDPLATE, MACH	1.000 EA
HW5100A03	WAVY WASHER (W1543-017)	1.000 EA
34EP3102A02SP	FR/PU ENDPLATE, MACH	1.000 EA
XY1032A02	10-32 HEX NUT DIRECTIONAL SERRATION	4.000 EA
34CB4517	CB LID 4 MTG HOLES .22 DIA STAMPED, FOR	1.000 EA
34GS1031A01	GASKET, FLAT CONDUIT BOX LID (LEXIDE)	1.000 EA
51XW0832A07	8-32 X .44, TAPTITE II, HEX WSHR SLTD SE	4.000 EA
HW2501D13	KEY, 3/16 SQ X 1.375	1.000 EA
HA7000A04	KEY RETAINER 0.625 DIA SHAFTS	1.000 EA
MG1000G27	MED CHARCOAL METALLIC GREY 400-0096	0.014 GA
85XU0407S04	4X1/4 U DRIVE PIN STAINLESS	2.000 EA
HA3100A12	THRUBOLT 10-32 X 7.375	4.000 EA
MN416A01	TAG-INSTAL-MAINT no wire (2100/bx) 4/22	1.000 EA
LC0005E01	CONN.DIA./WARNING LABEL (LC0005/LB1119N)	1.000 EA
NP1256L	ALUM UL CSA CC INDUSTRIAL MOTOR A60	1.000 EA
35PA1066	PKG GRP, PRINT PK1001A01	1.000 EA

<b>Accessories</b>		
<b>Part Number</b>	<b>Description</b>	<b>Multiplier</b>
34-171	C FACE KIT	A8

**AC Induction Motor Performance Data**

Record # 20815

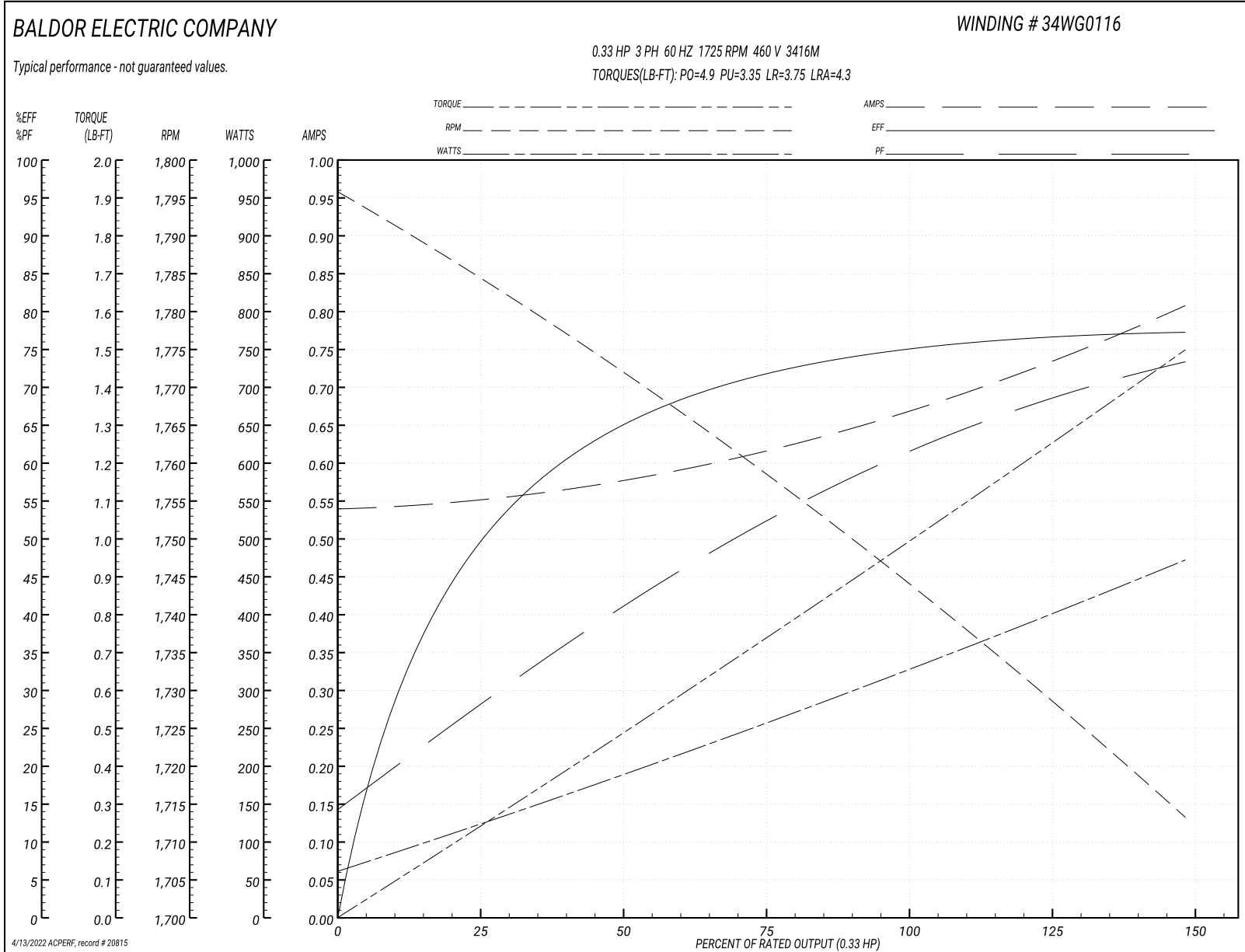
Typical performance - not guaranteed values

<b>Winding:</b> 34WG0116-R008		<b>Type:</b> 3416M		<b>Enclosure:</b> TENV	
<b>Nameplate Data</b>			<b>460 V, 60 Hz: High Voltage Connection</b>		
<b>Rated Output (HP)</b>	.33	<b>Full Load Torque</b>	1 LB-FT		
<b>Volts</b>	230/460	<b>Start Configuration</b>	direct on line		
<b>Full Load Amps</b>	1.4/.7	<b>Breakdown Torque</b>	4.9 LB-FT		
<b>R.P.M.</b>	1725	<b>Pull-up Torque</b>	3.35 LB-FT		
<b>Hz</b>	60 <b>Phase</b>	3	<b>Locked-rotor Torque</b>	3.75 LB-FT	
<b>NEMA Design Code</b>	B	<b>KVA Code</b>	K	<b>Starting Current</b>	4.3 A
<b>Service Factor (S.F.)</b>	1.35		<b>No-load Current</b>	0.54 A	
<b>NEMA Nom. Eff.</b>	70	<b>Power Factor</b>	64	<b>Line-line Res. @ 25°C</b>	39.4 Ω
<b>Rating - Duty</b>	40C AMB-CONT		<b>Temp. Rise @ Rated Load</b>	60°C	
<b>S.F. Amps</b>	1.5/.75		<b>Temp. Rise @ S.F. Load</b>	74°C	

**Load Characteristics 460 V, 60 Hz, 0.33 HP**

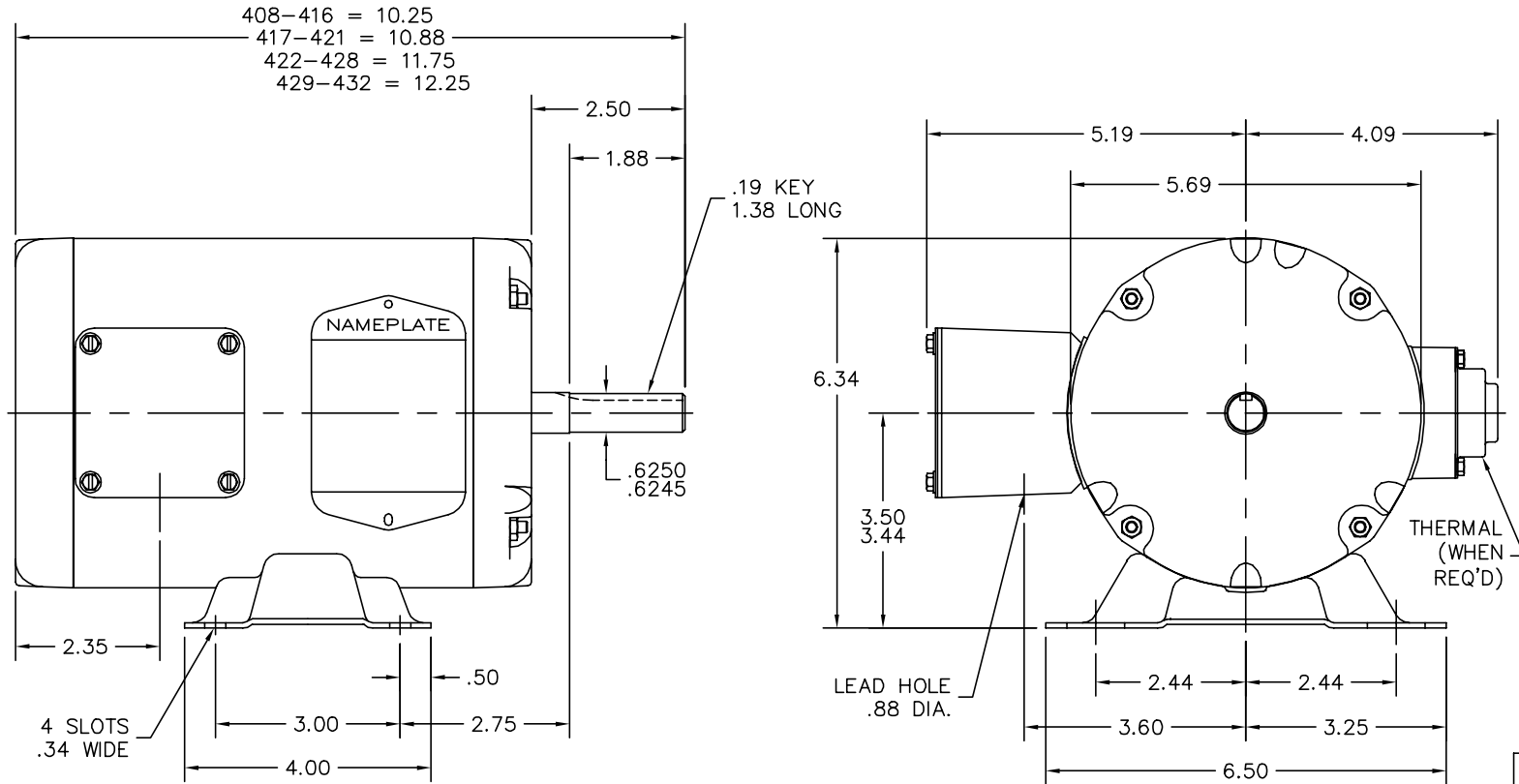
<b>% of Rated Load</b>	<b>25</b>	<b>50</b>	<b>75</b>	<b>100</b>	<b>125</b>	<b>150</b>	<b>S.F.</b>
<b>Power Factor</b>	28	41	52	61	68	73	70
<b>Efficiency</b>	50	65	72	75.5	77	77	77
<b>Speed</b>	1784	1771	1758	1744	1729	1713	1723
<b>Line amperes</b>	0.55	0.58	0.62	0.67	0.73	0.81	0.762

Performance Graph at 460V, 60Hz, 0.33HP Typical performance - Not guaranteed values





34LYA076



CUSTOMER IS RESPONSIBLE FOR DETERMINING THAT THE PRODUCT WILL PERFORM SUITABLY IN THE INTENDED APPLICATION.

REV. DESC: REVISE 4 HOLES TO READ 4 SLOTS (PER BASE DWG)		
REV. LTR: F	VERSION: 04	TDR: 000001131303
FILE: \AAA\00026\165	REVISED: 02:25:31 01/30/2020	BY: ENELLGO
MTL: -	Ⓢ Ⓜ	

**BALDOR - RELIANCE**®

STD HORZ MODEL 34M NEMA 56 TENV/TEAO

SH 1 of 1

34LYA076

CD0005

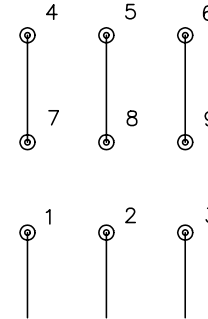


LOW VOLTAGE  
(2Y)



LINE

HIGH VOLTAGE  
(1Y)



LINE

NOTES:

1. INTERCHANGE ANY TWO LINE LEADS TO REVERSE ROTATION.
2. OPTIONAL THERMOSTATS ARE PROVIDED WHEN SPECIFIED.
3. ACTUAL NUMBER OF INTERNAL PARALLEL CIRCUITS MAY BE A MULTIPLE OF THOSE SHOWN ABOVE.
4. LEAD COLORS ARE OPTIONAL. LEADS MUST ALWAYS BE NUMBERED AS SHOWN.

REV. DESC: REVISE TO SHOW OPTIONAL COLORS

REV. LTR: E BY: JLP

REVISED: 01/19/99 10:15

TDR: 0171435

900000

FILE: AAA00005140

MDL: -

MTL: -

**BALDOR ELECTRIC Co.**

3PH, DV, 9 LEADS

CD0005