

11

10

9

8

7

6

5

4

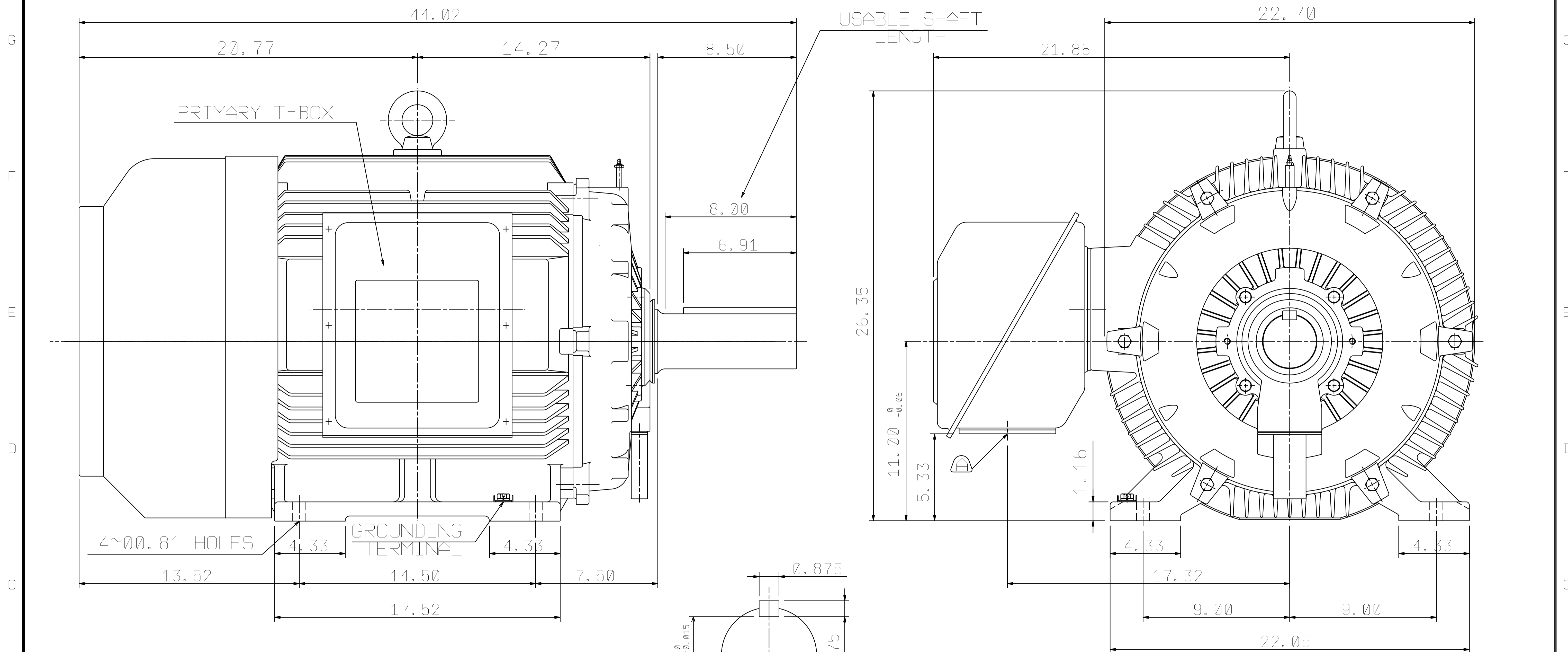
3

2

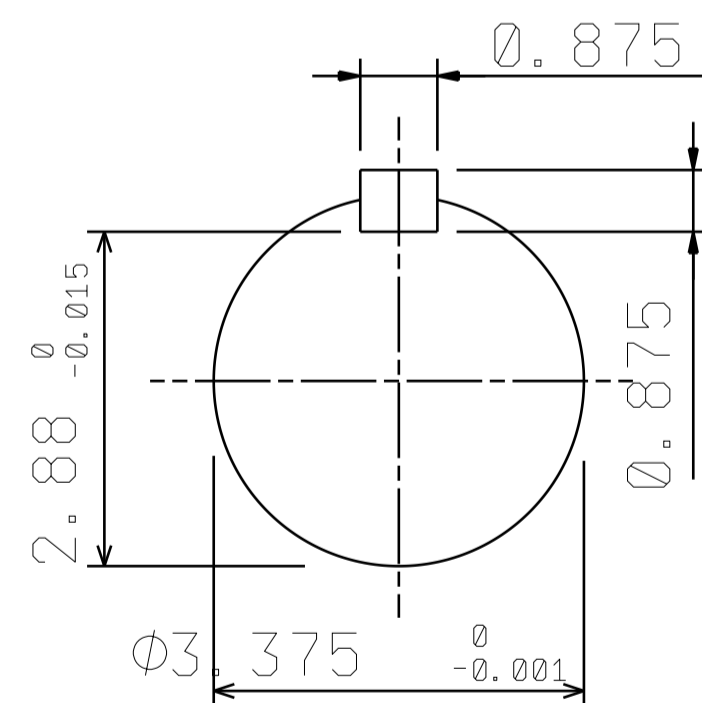
1

POLE	HP	kW	Hz	VOLT	r/min(RPM)	INS	RATING	DIMENSION IN	APPROX WEIGHT	BEARINGS
4	125	93	60	230/460	1800	F	CONT.	INCHES	1380lbs	DE: 6318 NDE: 6316

TOTALLY ENCLOSED FAN COOLED TYPE. SQUIRREL-CAGE ROTOR



- NOTE:
1. FOR DIRECT FLEXIBLE COUPLING
  2. ENCLOSURE: IP54 PROTECTION



REMOVABLE COVER FOR CABLE ENTRY TO BE DRILLED BY THE CUSTOMER.

OUTLINE DIMENSIONS  
3-PHASE INDUCTION MOTOR

MOTOR TYPE	AEHH8P	FRAME	444T
CATALOG	NP1254	DATE	MARCH. 5, 2020
ORDER NO.		TRANS. SHEET	

APPD.	BEN. YANG	04.08.19
CHKD.	K. L. KUO	04.08.19
DWG.	K. L. KUO	01.29.19

TEC Westinghouse

DWG NO.  
31057C523171

06.13.19 Show approx weight

K. L. KUO

11

10

9

8

7

6

5

4

3

2

1

# TECO Westinghouse

ISSUED <b>8/29/2014</b>	<b>PERFORMANCE DATA</b> <b>3-PHASE INDUCTION MOTOR</b>	ENCLOSURE <b>TEFC</b>
TYPE <b>AEHH8P</b>		CATALOG# <b>NP1254</b>

### NAMEPLATE INFORMATION

OUTPUT		POLE	FRAME SIZE	VOLTAGE	HZ	RATED AMBIENT	INS. CLASS	NEMA DESIGN	TIME RATING	SERVICE FACTOR
HP	KW									
<b>125</b>	<b>93.3</b>	<b>4</b>	<b>444T</b>	<b>230/460</b>	<b>60</b>	<b>40°C</b>	<b>F</b>	<b>B</b>	<b>CONT.</b>	<b>1.15</b>

### VARIABLE FREQUENCY DRIVE SERVICE

VARIABLE TORQUE				OHMS/PHASE EQUIVALENT WYE CIRCUIT (AT RATED OPERATING TEMPERATURE 25°C)				
HZ	HP	RPM	TORQUE (lb-ft)	R1	R2	X1	X2	X <sub>m</sub>
<b>3~60</b>	<b>0.0156~125</b>	<b>90~1800</b>	<b>0.91~368</b>	<b>0.0454</b>	<b>0.0373</b>	<b>0.3807</b>	<b>0.683</b>	<b>15.6</b>

CONSTANT TORQUE				CONSTANT HORSEPOWER			
HZ	HP	RPM	TORQUE (lb-ft)	HZ	HP	RPM	TORQUE (lb-ft)
<b>6~60</b>	<b>12.5~125</b>	<b>180~1800</b>	<b>368</b>	<b>60~90</b>	<b>125</b>	<b>1800-2700</b>	<b>368~245.33</b>

### TYPICAL PERFORMANCE

FULL LOAD RPM	EFFICIENCY				POWER FACTOR			SOUND PRESSURE LEVEL @ 3 FT Db(A)
	FULL LOAD		3/4 LOAD %	1/2 LOAD %	FULL LOAD %	3/4 LOAD %	1/2 LOAD %	
	MIN.%	NOM.%						
<b>1780</b>	<b>94.5</b>	<b>95.4</b>	<b>95</b>	<b>94.1</b>	<b>85</b>	<b>83</b>	<b>77</b>	<b>81</b>

CURRENTS									NEMA KVA CODE LETTER	SAFE STALL TIME IN SECONDS	
NO LOAD			FULL LOAD			LOCKED ROTOR				COLD	HOT
AT 208 VOLT	AT 230 VOLT	AT 460 VOLT	AT 208 VOLT	AT 230 VOLT	AT 460 VOLT	AT 208 VOLT	AT 230 VOLT	AT 460 VOLT			
<b>67.50</b>	<b>75.80</b>	<b>37.9</b>	<b>319.00</b>	<b>292.00</b>	<b>144.00</b>	<b>1641.4</b>	<b>1815.0</b>	<b>910</b>	<b>G</b>	<b>24</b>	<b>17</b>

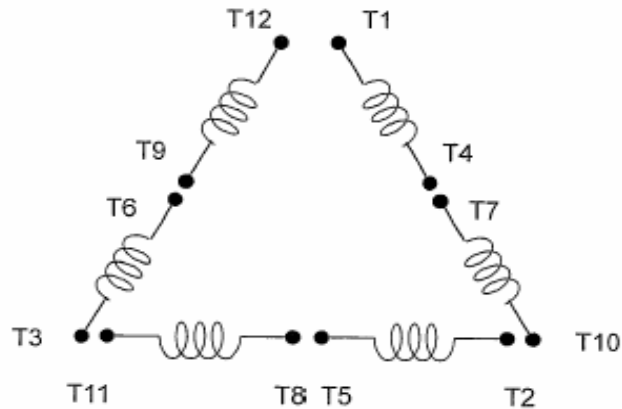
TORQUE				INERTIA			ACCEL TIME (DOL)		ALLOWABLE STARTS PER HOUR	
FULL LOAD (lb-ft)	LOCKED ROTOR %FLT	PULL UP %FLT	BREAK DOWN %FLT	ROTOR WR <sup>2</sup> (lb-ft <sup>2</sup> )	NEMA LOAD WK <sup>2</sup> (lb-ft <sup>2</sup> )	MAX ALLOWABLE WK <sup>2</sup> (lb-ft <sup>2</sup> )	NEMA LOAD WK <sup>2</sup> Sec	MAX ALLOWABLE WK <sup>2</sup> Sec	COLD	HOT
<b>368.70</b>	<b>130</b>	<b>100</b>	<b>220</b>	<b>44.3</b>	<b>542</b>	<b>1084</b>	<b>5.41</b>	<b>10.40</b>	<b>2</b>	<b>1</b>

APPROVED:	<b>M. PRATER</b>	DRAWING NO.	<b>31057NP1254</b>	REVISION:	<b>1</b>
-----------	------------------	-------------	--------------------	-----------	----------

DATE:  
December 6, 2010

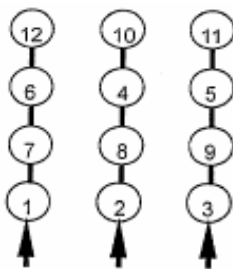
# CONNECTION DIAGRAM

CATALOG NO.:  
NP1254



**SCHEMATIC - Δ / Y CONNECTION**

## ACROSS THE LINE CONNECTION



**LINE**  
**230 VOLT CONNECTION**



**LINE**  
**460 VOLT CONNECTION**

**\*CONTACT TWMC IF YOU HAVE ANY QUESTIONS  
REGARDING THE MOTOR CONNECTION.**

**PH: 1-800-873-8326**