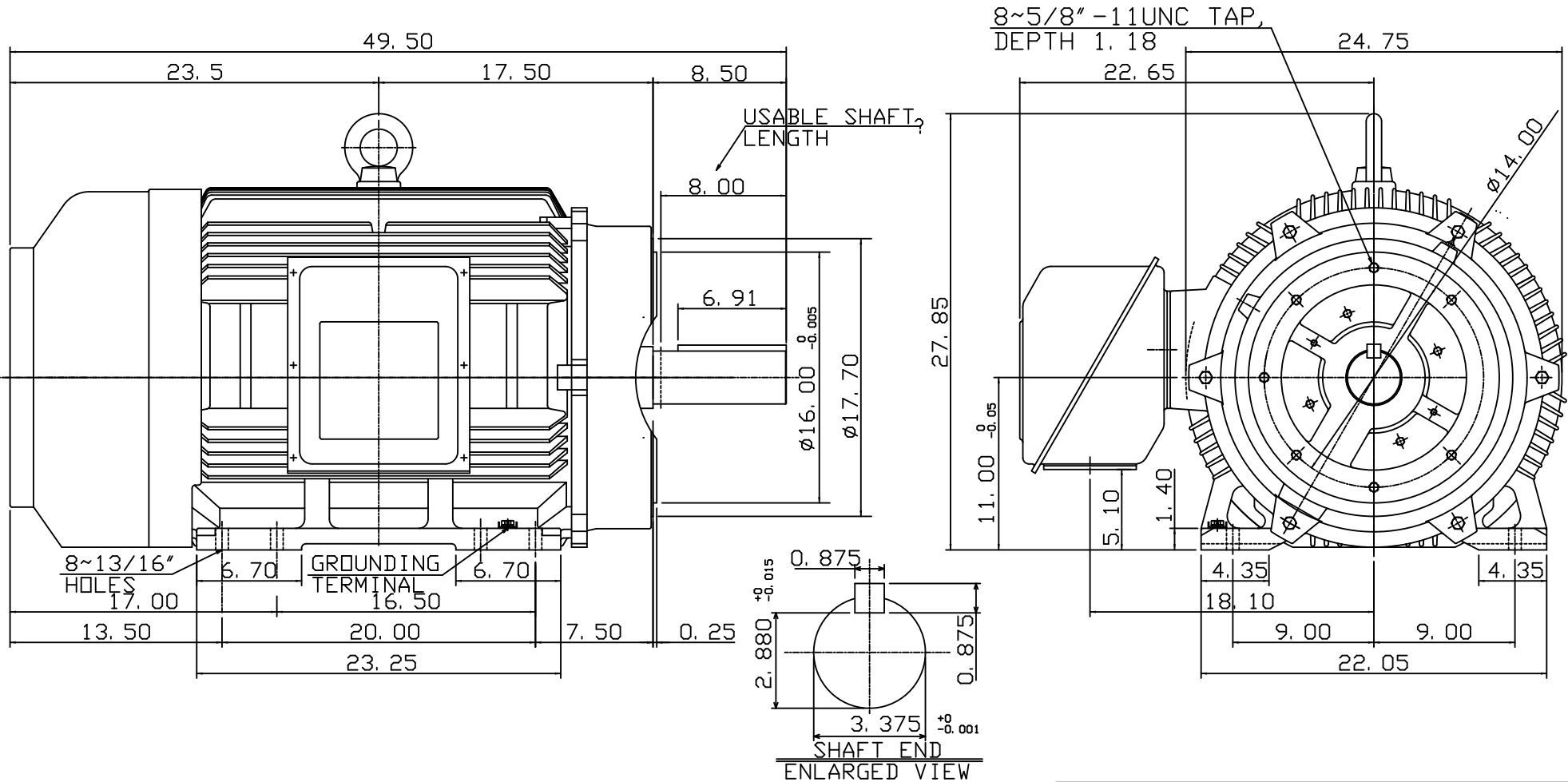


11	10	9	8	7	6	5	4	3	2	1
TYPE	POLE	HP	kW	FRAME	VOLT	Hz	INS. CLASS	TIME RATING	SYN. SPEED R. P. M.	BEARINGS
AEHH8P	4	150	149	447TSC	460	60	F	CONT.	1200	DE: 6320 NDE: 6316



NOTE:  
 1. FOR DIRECT FLEXIBLE COUPLING  
 2. ENCLOSURE: IP44 PROTECTION  
 2. APPROX. WEIGHT 2100 LBS.

OUTLINE DIMENSIONS		
3-PHASE INDUCTION MOTOR		
CATALOG #:	NP1506C	EH-447TC
DATE:	073018	
DWN BY:	C. COOK	
		DWG NO.
		NP1506C

# TECO Westinghouse

ISSUED <b>8/29/2014</b>	<b>PERFORMANCE DATA</b> <b>3-PHASE INDUCTION MOTOR</b>	ENCLOSURE <b>TEFC</b>
TYPE <b>AEHH8PCF</b>		CATALOG# <b>NP1506C</b>

### NAMEPLATE INFORMATION

OUTPUT		POLE	FRAME SIZE	VOLTAGE	HZ	RATED AMBIENT	INS. CLASS	NEMA DESIGN	TIME RATING	SERVICE FACTOR
HP	KW									
<b>150</b>	<b>111.9</b>	<b>6</b>	<b>447TC</b>	<b>460</b>	<b>60</b>	<b>40°C</b>	<b>F</b>	<b>B</b>	<b>CONT.</b>	<b>1.15</b>

### VARIABLE FREQUENCY DRIVE SERVICE

VARIABLE TORQUE				OHMS/PHASE EQUIVALENT WYE CIRCUIT (AT RATED OPERATING TEMPERATURE 25°C)				
HZ	HP	RPM	TORQUE (lb-ft)	R1	R2	X1	X2	X <sub>m</sub>
<b>3~60</b>	<b>0.0188~150</b>	<b>60~1200</b>	<b>1.644~664</b>	<b>0.0445</b>	<b>0.0319</b>	<b>0.3154</b>	<b>0.7081</b>	<b>13</b>

CONSTANT TORQUE				CONSTANT HORSEPOWER			
HZ	HP	RPM	TORQUE (lb-ft)	HZ	HP	RPM	TORQUE (lb-ft)
<b>6~60</b>	<b>15~150</b>	<b>120~1200</b>	<b>664</b>	<b>60~90</b>	<b>150</b>	<b>1200~1800</b>	<b>664~442.66</b>

### TYPICAL PERFORMANCE

FULL LOAD RPM	EFFICIENCY				POWER FACTOR			SOUND PRESSURE LEVEL @ 3 FT Db(A)
	FULL LOAD		3/4 LOAD %	1/2 LOAD %	FULL LOAD %	3/4 LOAD %	1/2 LOAD %	
	MIN.%	NOM.%						
<b>1186</b>	<b>95</b>	<b>95.8</b>	<b>95.4</b>	<b>94.5</b>	<b>83.5</b>	<b>81</b>	<b>74</b>	<b>79</b>

CURRENTS				NEMA KVA CODE LETTER	SAFE STALL TIME IN SECONDS			
NO LOAD		FULL LOAD			LOCKED ROTOR			
AT 460 VOLT		AT 460 VOLT			AT 460 VOLT			
<b>50.4</b>		<b>176.00</b>		<b>1085</b>		<b>G</b>	<b>19</b>	<b>13</b>

TORQUE				INERTIA			ACCEL TIME (DOL)		ALLOWABLE STARTS PER HOUR	
FULL LOAD (lb-ft)	LOCKED ROTOR %FLT	PULL UP %FLT	BREAK DOWN %FLT	ROTOR WR <sup>2</sup> (lb-ft <sup>2</sup> )	NEMA LOAD WK <sup>2</sup> (lb-ft <sup>2</sup> )	MAX ALLOWABLE WK <sup>2</sup> (lb-ft <sup>2</sup> )	NEMA LOAD WK <sup>2</sup> Sec	MAX ALLOWABLE WK <sup>2</sup> Sec	COLD	HOT
<b>664.00</b>	<b>135</b>	<b>105</b>	<b>220</b>	<b>103</b>	<b>1719</b>	<b>4298</b>	<b>6.16</b>	<b>14.87</b>	<b>2</b>	<b>1</b>

APPROVED:	<b>M. PRATER</b>	DRAWING NO.	<b>31057NP1506C</b>	REVISION:	<b>1</b>
-----------	------------------	-------------	---------------------	-----------	----------

DATE:  
OCTOBER 30, 2014

# CONNECTION DIAGRAM

CATALOG NO.:  
NP1506C



**SCHEMATIC - Δ / Y CONNECTION**

## ACROSS THE LINE CONNECTION



**LINE**  
**230 VOLT CONNECTION**



**LINE**  
**460 VOLT CONNECTION**

**\*CONTACT TWMC IF YOU HAVE ANY QUESTIONS  
REGARDING THE MOTOR CONNECTION.**

**PH: 1-800-873-8326**