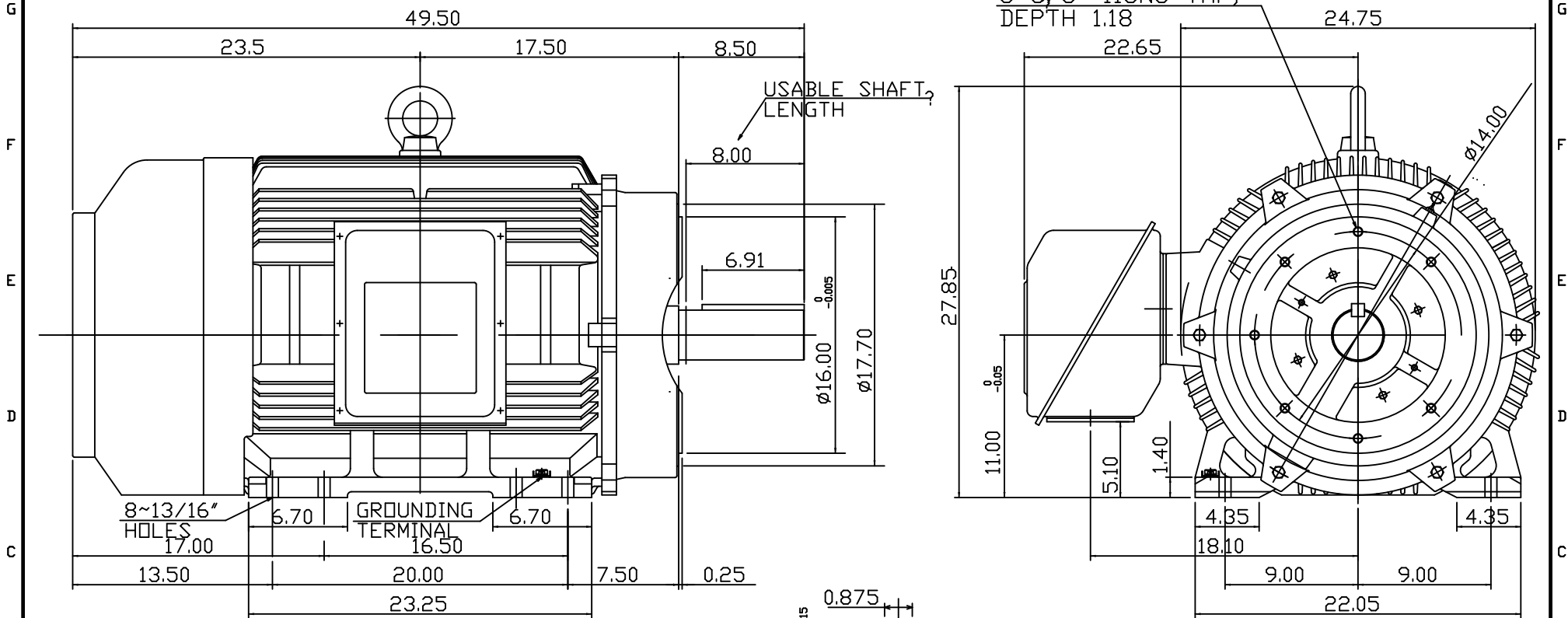


TYPE	POLE	HP	kW	FRAME	VOLT	Hz	INS. CLASS	TIME RATING	SYN. SPEED R.P.M.	BEARINGS	
AEHH8P	4	200	149.2	447TC	460	60	F	CONT.	1800	DE: 6320	NDE: 6316



- NOTE:
1. FOR DIRECT FLEXIBLE COUPLING
 2. ENCLOSURE: IP44 PROTECTION
 2. APPROX. WEIGHT 1900 LBS.

OUTLINE DIMENSIONS			
3-PHASE INDUCTION MOTOR			
CATALOG #:	NP2004C		
DATE:	052213		
DWN BY:	C. COOK		

DWG NO.
NP2004C

TECO Westinghouse

ISSUED 8/29/2014	PERFORMANCE DATA 3-PHASE INDUCTION MOTOR	ENCLOSURE TEFC
TYPE AEHH8PCF		CATALOG# NP2004C

NAMEPLATE INFORMATION

OUTPUT		POLE	FRAME SIZE	VOLTAGE	HZ	RATED AMBIENT	INS. CLASS	NEMA DESIGN	TIME RATING	SERVICE FACTOR
HP	KW									
200	149.2	4	447TC	460	60	40°C	F	B	CONT.	1.15

VARIABLE FREQUENCY DRIVE SERVICE

VARIABLE TORQUE				OHMS/PHASE EQUIVALENT WYE CIRCUIT (AT RATED OPERATING TEMPERATURE 25°C)				
HZ	HP	RPM	TORQUE (lb-ft)	R1	R2	X1	X2	X _m
3~60	0.025~200	90~1800	1.458~588	0.0248	0.0232	0.219	0.442	10.3

CONSTANT TORQUE				CONSTANT HORSEPOWER			
HZ	HP	RPM	TORQUE (lb-ft)	HZ	HP	RPM	TORQUE (lb-ft)
6~60	20~200	180~1800	588	60~90	200	1800~2700	588~392

TYPICAL PERFORMANCE

FULL LOAD RPM	EFFICIENCY				POWER FACTOR			SOUND PRESSURE LEVEL @ 3 FT Db(A)
	FULL LOAD		3/4 LOAD %	1/2 LOAD %	FULL LOAD %	3/4 LOAD %	1/2 LOAD %	
	MIN.%	NOM.%						
1786	95.4	96.2	95.8	95	87	83.5	78.5	81

CURRENTS			NEMA KVA CODE LETTER	SAFE STALL TIME IN SECONDS	
NO LOAD		FULL LOAD		LOCKED ROTOR	
AT 460 VOLT		AT 460 VOLT		AT 460 VOLT	
46.4		224.00	G	19	13

TORQUE				INERTIA			ACCEL TIME (DOL)		ALLOWABLE STARTS PER HOUR	
FULL LOAD (lb-ft)	LOCKED ROTOR %FLT	PULL UP %FLT	BREAK DOWN %FLT	ROTOR WR ² (lb-ft ²)	NEMA LOAD WK ² (lb-ft ²)	MAX ALLOWABLE WK ² (lb-ft ²)	NEMA LOAD WK ² Sec	MAX ALLOWABLE WK ² Sec	COLD	HOT
588.00	120	95	210	73.5	831	1662	5.52	10.59	2	1

APPROVED:	M. PRATER	DRAWING NO.	31057NP2004C	REVISION:	1
-----------	------------------	-------------	---------------------	-----------	----------

DATE:
OCTOBER 30, 2014

CONNECTION DIAGRAM

CATALOG NO.:
NP2004C



SCHEMATIC - Δ / Y CONNECTION

ACROSS THE LINE CONNECTION



LINE
230 VOLT CONNECTION



LINE
460 VOLT CONNECTION

***CONTACT TWMC IF YOU HAVE ANY QUESTIONS
REGARDING THE MOTOR CONNECTION.**

PH: 1-800-873-8326