

11

10

9

8

7

6

5

4

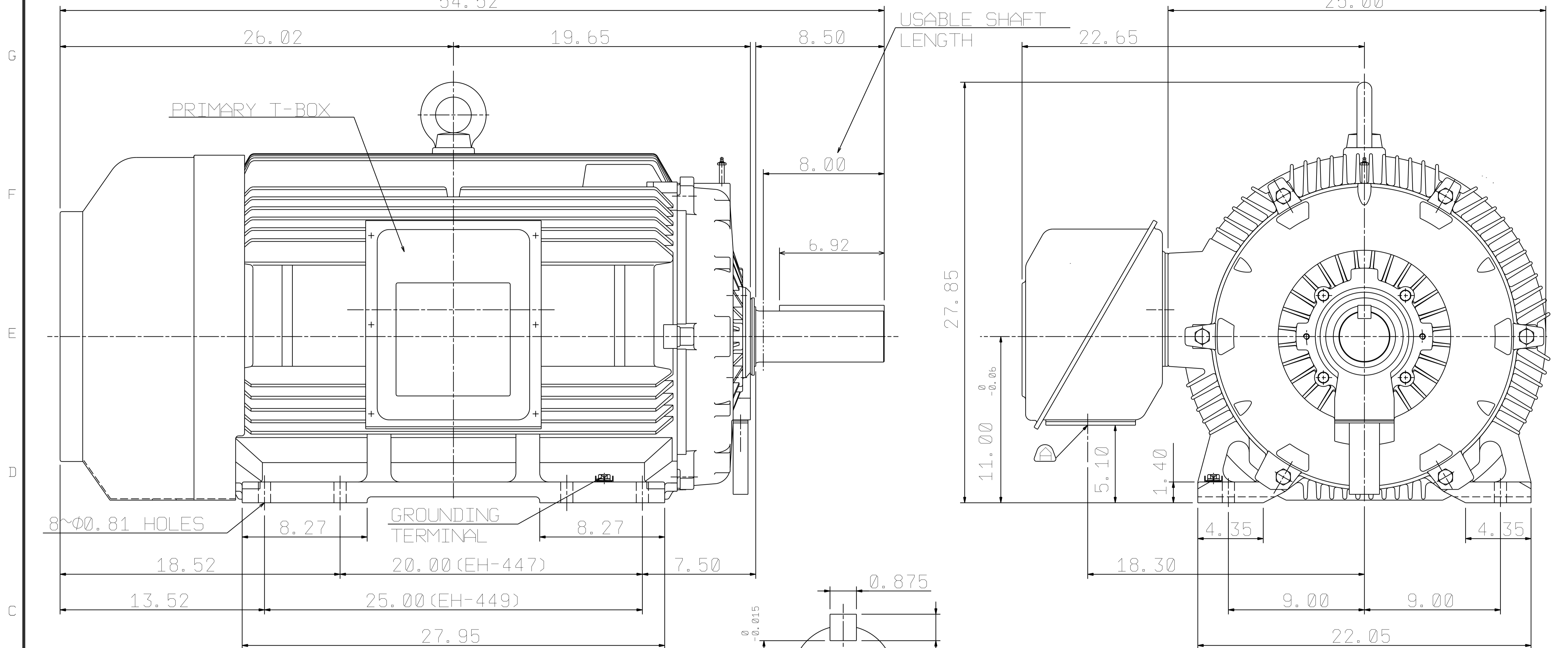
3

2

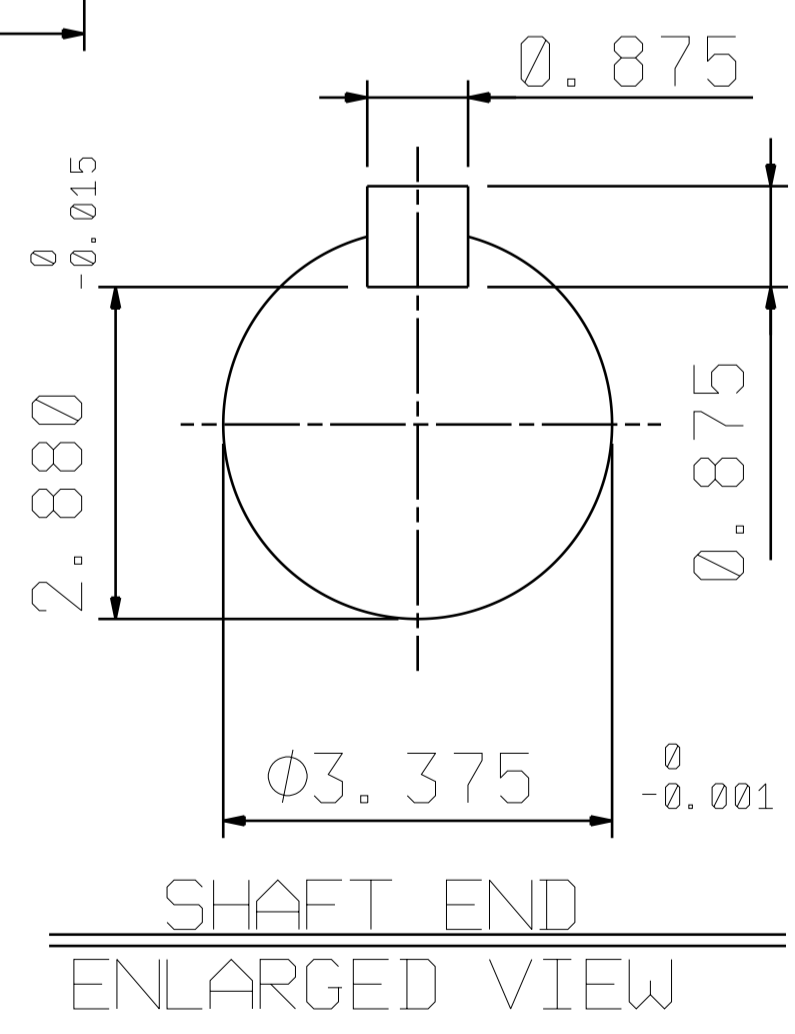
1

| | | | | | | | | | | |
|------|-----|-----|----|------|------------|-----|--------|--------------|---------------|--------------------|
| POLE | HP | kW | Hz | VOLT | r/min(RPM) | INS | RATING | DIMENSION IN | APPROX WEIGHT | BEARINGS |
| 6 | 200 | 149 | 60 | 460 | 1200 | F | CONT. | INCHES | 2247lbs | DE: 6320 NDE: 6316 |

TOTALLY ENCLOSED FAN-COOLED TYPE. SQUIRREL-CAGE ROTOR



NOTE:
 1. FOR DIRECT FLEXIBLE COUPLING
 2. ENCLOSURE: IP54 PROTECTION



REMOVABLE COVER FOR CABLE ENTRY TO BE DRILLED BY THE CUSTOMER.

| OUTLINE DIMENSIONS | | | |
|-------------------------|--------|--------------|-----------------|
| 3-PHASE INDUCTION MOTOR | | | |
| MOTOR TYPE | AEHH8P | FRAME NO. | 449T |
| CATALOG # | NP2006 | DATE | MARCH, 10, 2020 |
| ORDER NO. | | TRANS. SHEET | |

| | | |
|-------|-----------|----------|
| APPD. | BEN. YANG | 04.08.19 |
| CHKD. | K. L. KUO | 04.08.19 |
| DWG. | K. L. KUO | 01.29.19 |

TEC Westinghouse

DWG NO.
31057C526031

06.13.19 Show approx weight K. L. KUO

11

10

9

8

7

6

5

4

3

2

1

TECO Westinghouse

| | | |
|----------------------------|---|---------------------------|
| ISSUED 8/29/2014 | PERFORMANCE DATA 3-PHASE INDUCTION MOTOR | ENCLOSURE TEFC |
| TYPE AEHH8P | | CATALOG# NP2006 |

NAMEPLATE INFORMATION

| OUTPUT | | POLE | FRAME SIZE | VOLTAGE | HZ | RATED AMBIENT | INS. CLASS | NEMA DESIGN | TIME RATING | SERVICE FACTOR |
|------------|--------------|----------|-------------|------------|-----------|---------------|------------|-------------|--------------|----------------|
| HP | KW | | | | | | | | | |
| 200 | 149.2 | 6 | 449T | 460 | 60 | 40°C | F | B | CONT. | 1.15 |

VARIABLE FREQUENCY DRIVE SERVICE

| | | | | | | | | |
|-----------------|------------------|----------------|------------------|--|---------------|-------------|--------------|----------------|
| VARIABLE TORQUE | | | | OHMS/PHASE EQUIVALENT WYE CIRCUIT (AT RATED OPERATING TEMPERATURE 25°C) | | | | |
| HZ | HP | RPM | TORQUE (lb-ft) | R1 | R2 | X1 | X2 | X _m |
| 3~60 | 0.025~200 | 60~1200 | 2.187~885 | 0.0314 | 0.0246 | 0.28 | 0.526 | 8.9 |

| CONSTANT TORQUE | | | | CONSTANT HORSEPOWER | | | |
|-----------------|---------------|-----------------|----------------|---------------------|------------|------------------|----------------|
| HZ | HP | RPM | TORQUE (lb-ft) | HZ | HP | RPM | TORQUE (lb-ft) |
| 6~60 | 20~200 | 120~1200 | 885 | 60~90 | 200 | 1200~1800 | 885~590 |

TYPICAL PERFORMANCE

| FULL LOAD RPM | EFFICIENCY | | | | POWER FACTOR | | | SOUND PRESSURE LEVEL @ 3 FT Db(A) |
|---------------|------------|-------------|-------------|-------------|--------------|------------|------------|-----------------------------------|
| | FULL LOAD | | 3/4 LOAD % | 1/2 LOAD % | FULL LOAD % | 3/4 LOAD % | 1/2 LOAD % | |
| | MIN.% | NOM.% | | | | | | |
| 1186 | 95 | 95.8 | 95.4 | 94.5 | 84 | 81 | 74 | 79 |

| CURRENTS | | | NEMA KVA CODE LETTER | SAFE STALL TIME IN SECONDS | |
|-------------|---------------|--------------|----------------------|----------------------------|-----------|
| NO LOAD | FULL LOAD | LOCKED ROTOR | | COLD | HOT |
| AT 460 VOLT | AT 460 VOLT | AT 460 VOLT | | | |
| 65.6 | 233.00 | 1450 | G | 17 | 12 |

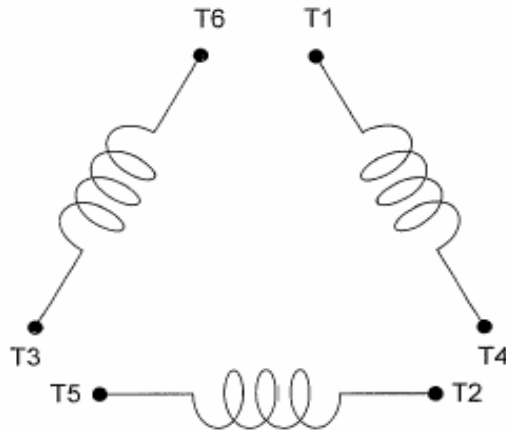
| TORQUE | | | | INERTIA | | | ACCEL TIME (DOL) | | ALLOWABLE STARTS PER HOUR | |
|-------------------|-------------------|--------------|-----------------|---|---|---|-------------------------------|-----------------------------------|---------------------------|----------|
| FULL LOAD (lb-ft) | LOCKED ROTOR %FLT | PULL UP %FLT | BREAK DOWN %FLT | ROTOR WR ² (lb-ft ²) | NEMA LOAD WK ² (lb-ft ²) | MAX ALLOWABLE WK ² (lb-ft ²) | NEMA LOAD WK ² Sec | MAX ALLOWABLE WK ² Sec | COLD | HOT |
| 885.00 | 135 | 105 | 210 | 125 | 2238 | 5595 | 6.17 | 14.93 | 2 | 1 |

| | | | | | |
|-----------|------------------|-------------|--------------------|-----------|----------|
| APPROVED: | M. PRATER | DRAWING NO. | 31057NP2006 | REVISION: | 1 |
|-----------|------------------|-------------|--------------------|-----------|----------|

DATE:
December 6, 2010

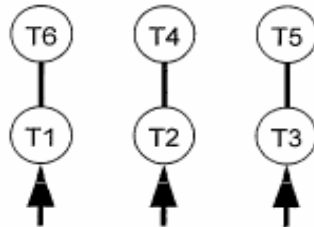
CONNECTION DIAGRAM

CATALOG NO.:
NP2006



SCHEMATIC - Δ / Y CONNECTION

ACROSS THE LINE CONNECTION



460 VOLT CONNECTION

***CONTACT TWMC IF YOU HAVE ANY QUESTIONS
REGARDING THE MOTOR CONNECTION.**

PH: 1-800-873-8326