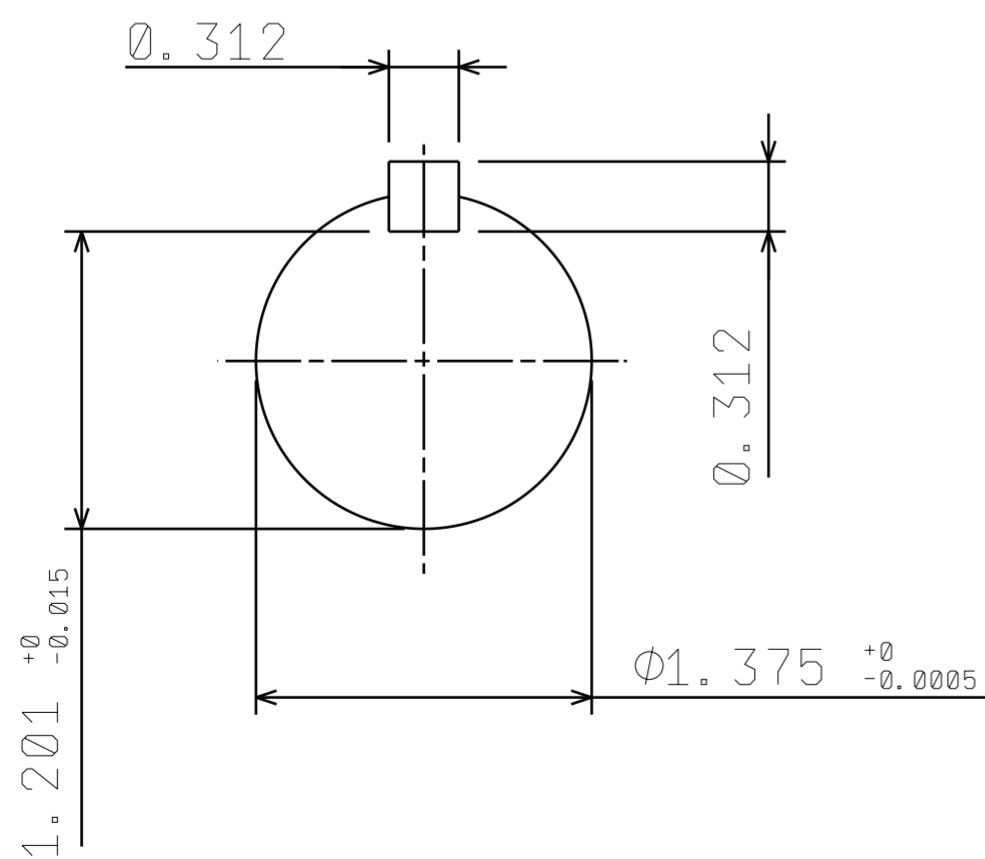
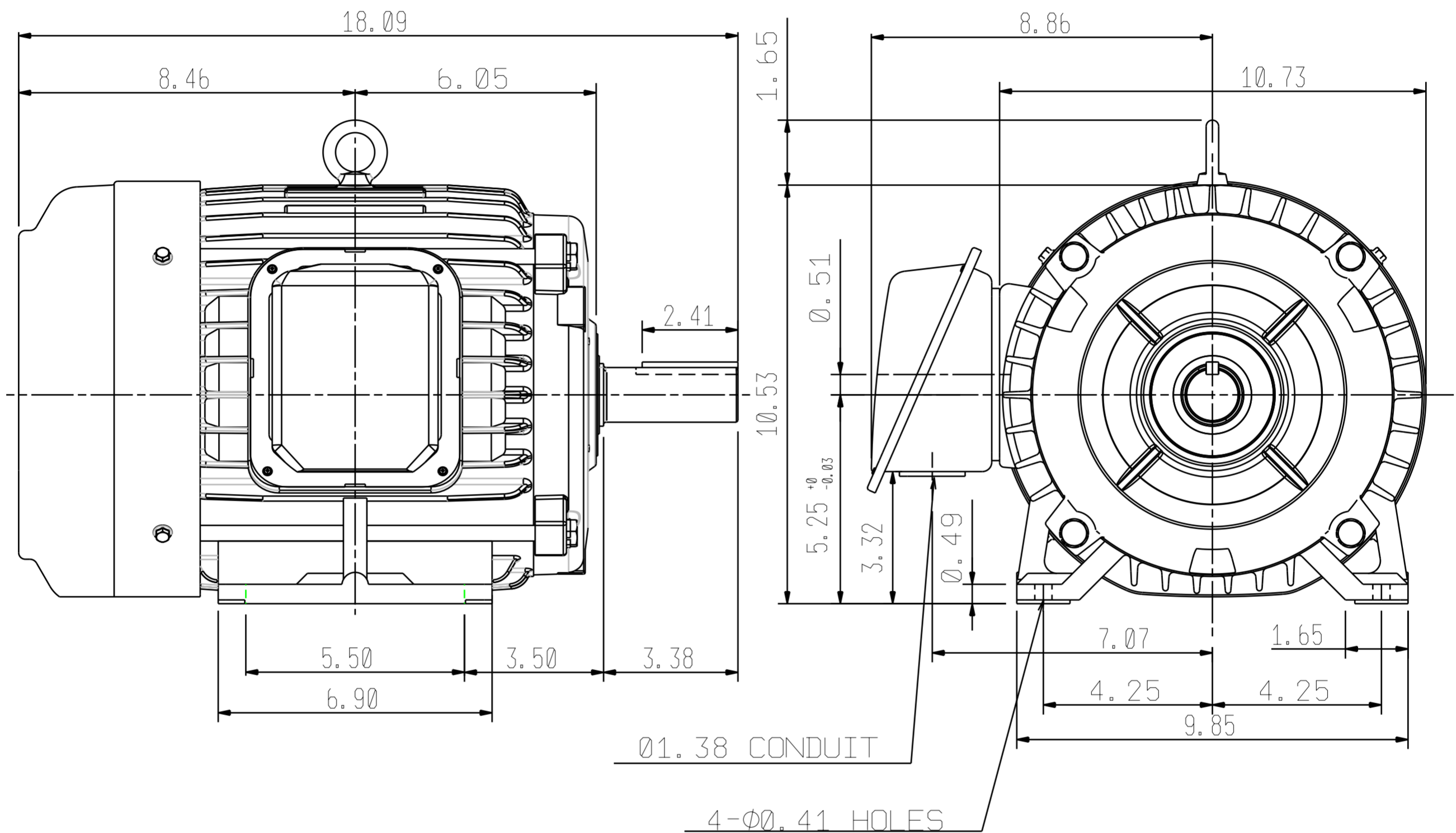


DATE MARCH. 3, 2020	OUTLINE DIMENSIONS 3-PHASE INDUCTION MOTOR	MOTOR TYPE: AEHH8P
CAT. #: NP7/54		FRAME NO. 213T

Pole	HP	kW	Hz	VOLT	r/min(rpm)
4	7.5	5.5	60	230/460	1800
Ins	Rating	Dimension in	Approx Weight	Bearings	
F	CONT.	Inch	151 lbs	DE: 6308ZZ NDE: 6306ZZ	

Totally Enclosed Fan-Cooled Type. Squirrel-Cage Rotor.



② 07 19 19	Modified Dimensions	Mahato
------------	---------------------	--------

DWG.	Mahato	12 • 28 • 18	TEC Westinghouse	DWG NO.	31049R343012
CHKD.	M. C. JENG	05 • 30 • 19			
APPD.	M. C. JENG	05 • 30 • 19			

TECO Westinghouse

ISSUED 07/23/19	PERFORMANCE DATA 3-PHASE INDUCTION MOTOR	ENCLOSURE TEFC
TYPE AEHH8P		CATALOG# NP7/54

NAMEPLATE INFORMATION

OUTPUT		POLE	FRAME SIZE	VOLTAGE	HZ	RATED AMBIEN	INS. CLASS	NEMA DESIGN	TIME RATING	SERVICE FACTOR
HP	KW									
7.5	5.5	4	213T	460	60	40°C	F	B	CONT.	1.15

TYPICAL PERFORMANCE

FULL LOAD RPM	EFFICIENCY				POWER FACTOR			MAXIMUM POWER FACTOR CORRECTION
	FULL LOAD		3/4 LOAD %	1/2 LOAD	F. L. %	3/4 LOAD	1/2 LOAD	
	NOM. %	MIN. %						
1760	91.7	90.2	91.0	89.5	83.0	79.0	69.5	1.61 KVAR

CURRENTS			NEMA KVA CODE LETTER
NO LOAD	FULL LOAD	LOCKED ROTOR	
3.6	9.23	64	H

TORQUE				INERTIA			ACCEL TIME	
FULL LOAD lb-ft	LOCKED ROTOR %FLT	PULL UP %FLT	BREAK DOWN %FLT	ROTOR WR ² lb-ft ²	NEMA LOAD WK ² lb-ft ²	MAX ALLOWABLE WK ² lb-ft ²	NEMA LOAD WK ² Sec	MAX ALLOWABLE WK ² Sec
22.37	230	155	270	0.806	39	148	4.48	17

SAFE STALL TIME IN SECONDS		ALLOWABLE STARTS PER HOUR		SOUND PRESSURE LEVEL @ 3 FT dB(A)
COLD	HOT	COLD	HOT	
30	21	2	1	

APPROVED:	D. Lu	DRAWING NO.	31057NP7/54	REVISION 0
-----------	--------------	-------------	--------------------	-------------------

DATE:
December 6, 2010

CONNECTION DIAGRAM

CATALOG NO.:
NP7/54



SCHEMATIC - Δ / Y CONNECTION

ACROSS THE LINE CONNECTION



LINE
230 VOLT CONNECTION



LINE
460 VOLT CONNECTION

***CONTACT TWMC IF YOU HAVE ANY QUESTIONS
REGARDING THE MOTOR CONNECTION.**

PH: 1-800-873-8326