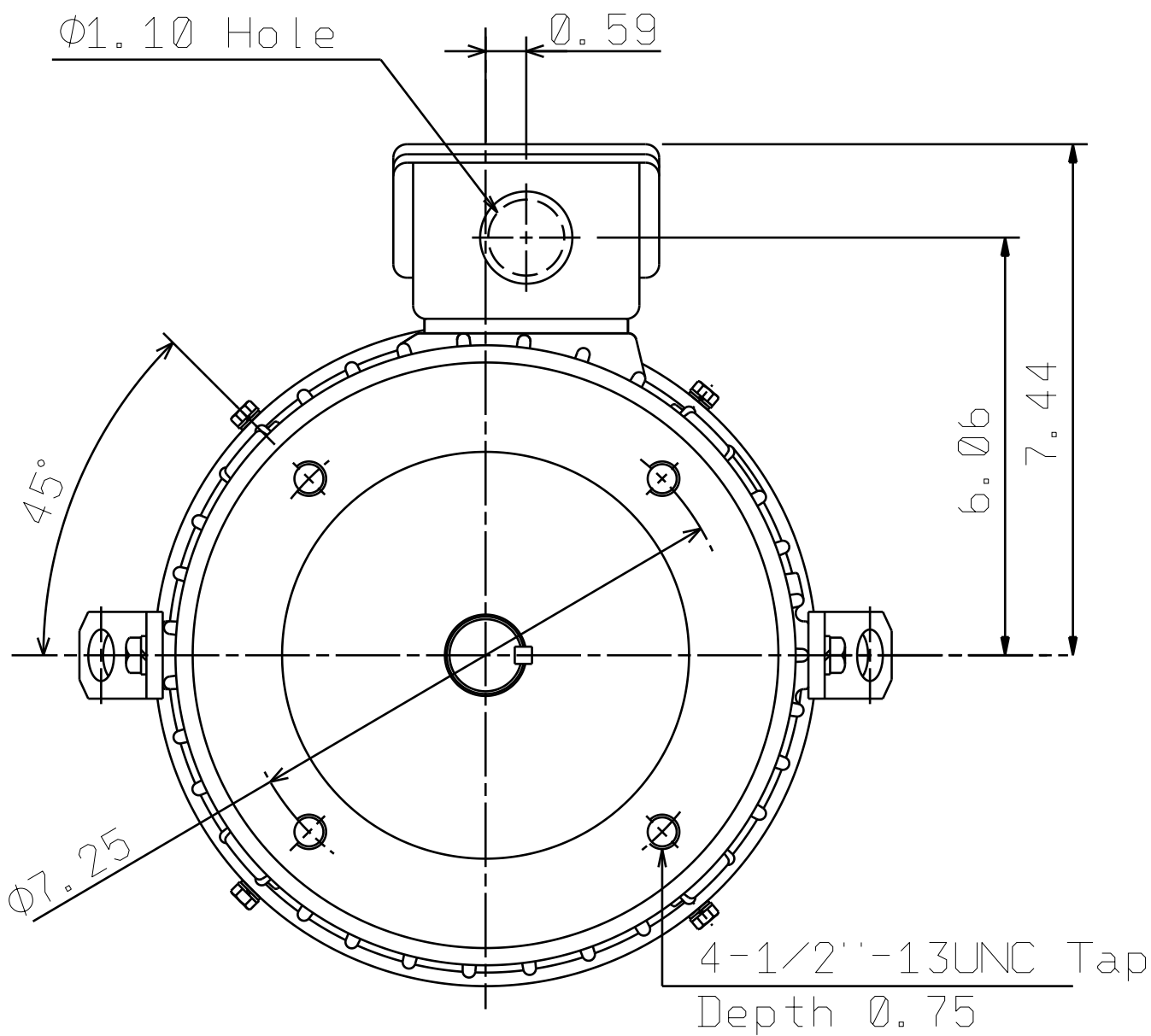
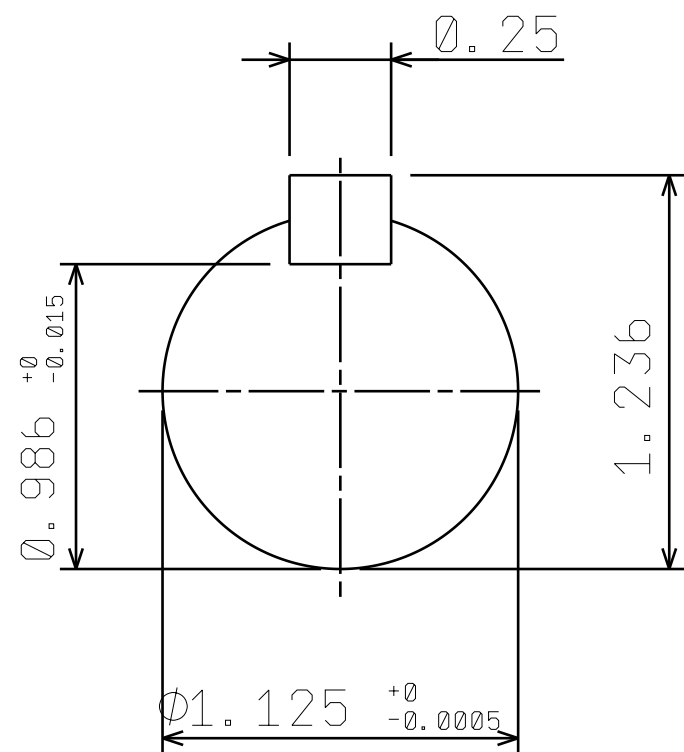
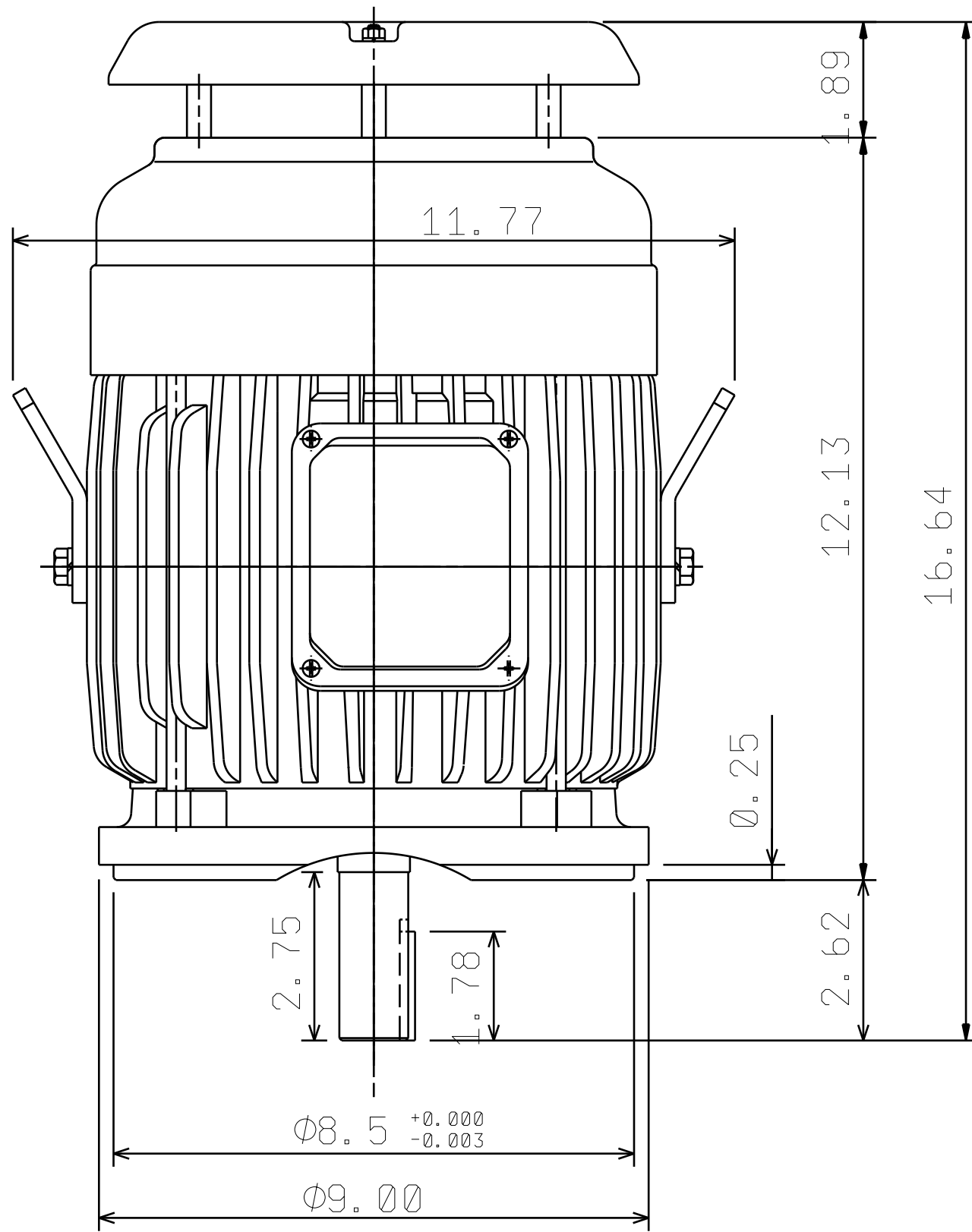


DATE MAY 06, 2017	OUTLINE DIMENSIONS 3-PHASE INDUCTION MOTOR	MOTOR TYPE: AEUH8PDC
CATALOG NO.: NPV0032C		FRAME NO. 182TC

Pole	HP	kW	Hz	VOLT	r/min
2	3	2.2	60	230/460	3600

Ins	Rating	Dimension in	Approx Weight	Bearings
F	CONT.	inches	132	DE: 6306ZZ NDE: 6306ZZ

Totally Enclosed Fan-Cooled Vertical Type. Squirrel-Cage Rotor.



NOTES:

- ENCLOSURE: IP54.
- FOR DIRECT FLEXIBLE COUPLING.

TA17142-00-01

DWG.	04.12.17		DWG NO.
CHKD.	04.12.17		31057A209330
APPD.	04.12.17		

TECO Westinghouse

ISSUED 5/21/2017	PERFORMANCE DATA 3-PHASE INDUCTION MOTOR	ENCLOSURE TEFC
TYPE AEUH8PDC		CATALOG# NPV0032C

NAMEPLATE INFORMATION

OUTPUT		POLE	FRAME SIZE	VOLTAGE	HZ	RATED AMBIENT	INS. CLASS	NEMA DESIGN	TIME RATING	SERVICE FACTOR
HP	KW									
3	2.2	2	182TC	230/460	60	40°C	F	B	CONT.	1.15

VARIABLE FREQUENCY DRIVE SERVICE

VARIABLE TORQUE				OHMS/PHASE EQUIVALENT WYE CIRCUIT (AT RATED OPERATING TEMPERATURE 25°C)				
HZ	HP	RPM	TORQUE (lb-ft)	R1	R2	X1	X2	X _m
3~60	0.0004~3	180~3600	0.012~4.513	2.0665	2.3722	5.0282	7.2668	217.4

CONSTANT TORQUE				CONSTANT HORSEPOWER			
HZ	HP	RPM	TORQUE (lb-ft)	HZ	HP	RPM	TORQUE (lb-ft)
6~60	.3~3	360~3600	4.513	60~120	3	3600~7200	4.513~2.2565

TYPICAL PERFORMANCE

FULL LOAD RPM	EFFICIENCY				POWER FACTOR			SOUND PRESSURE LEVEL @ 3 FT Db(A)
	FULL LOAD		3/4 LOAD %	1/2 LOAD %	FULL LOAD %	3/4 LOAD %	1/2 LOAD %	
	MIN.%	NOM.%						
3490	86.5	88.5	90.2	89.5	90	87	79.5	64

CURRENTS									NEMA KVA CODE LETTER	SAFE STALL TIME IN SECONDS	
NO LOAD			FULL LOAD			LOCKED ROTOR				COLD	HOT
AT 208 VOLT	AT 230 VOLT	AT 460 VOLT	AT 208 VOLT	AT 230 VOLT	AT 460 VOLT	AT 208 VOLT	AT 230 VOLT	AT 460 VOLT			
2.03	2.38	1.19	7.81	7.06	3.53	57.9	64.0	32	K	17	12

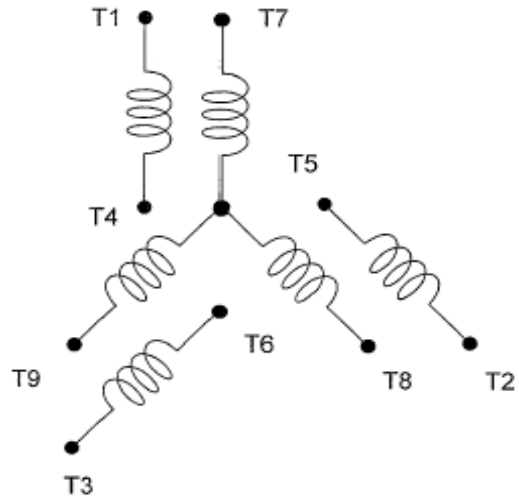
TORQUE				INERTIA			ACCEL TIME (DOL)		ALLOWABLE STARTS PER HOUR	
FULL LOAD (lb-ft)	LOCKED ROTOR %FLT	PULL UP %FLT	BREAK DOWN %FLT	ROTOR WR ² (lb-ft ²)	NEMA LOAD WK ² (lb-ft ²)	MAX ALLOWABLE WK ² (lb-ft ²)	NEMA LOAD WK ² Sec	MAX ALLOWABLE WK ² Sec	COLD	HOT
4.51	280	250	380	0.19	3.5	13	3.09	11.04	2	1

APPROVED:	M. PRATER	DRAWING NO.	31057NPV0032C	REVISION:	1
-----------	------------------	-------------	----------------------	-----------	----------

DATE:
September 13, 2006

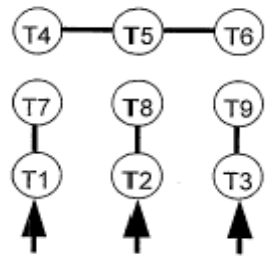
CONNECTION DIAGRAM

CATALOG NO.:
NPV0032C

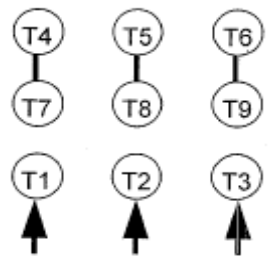


SCHEMATIC - 2Y/Y CONNECTION

ACROSS THE LINE CONNECTION



**LINE
230 VOLT CONNECTION**



**LINE
460 VOLT CONNECTION**



DWG NO.
DAC-1566-2