

DATE  
MAY 06, 2017  
CATALOG NO.: NPV0752C

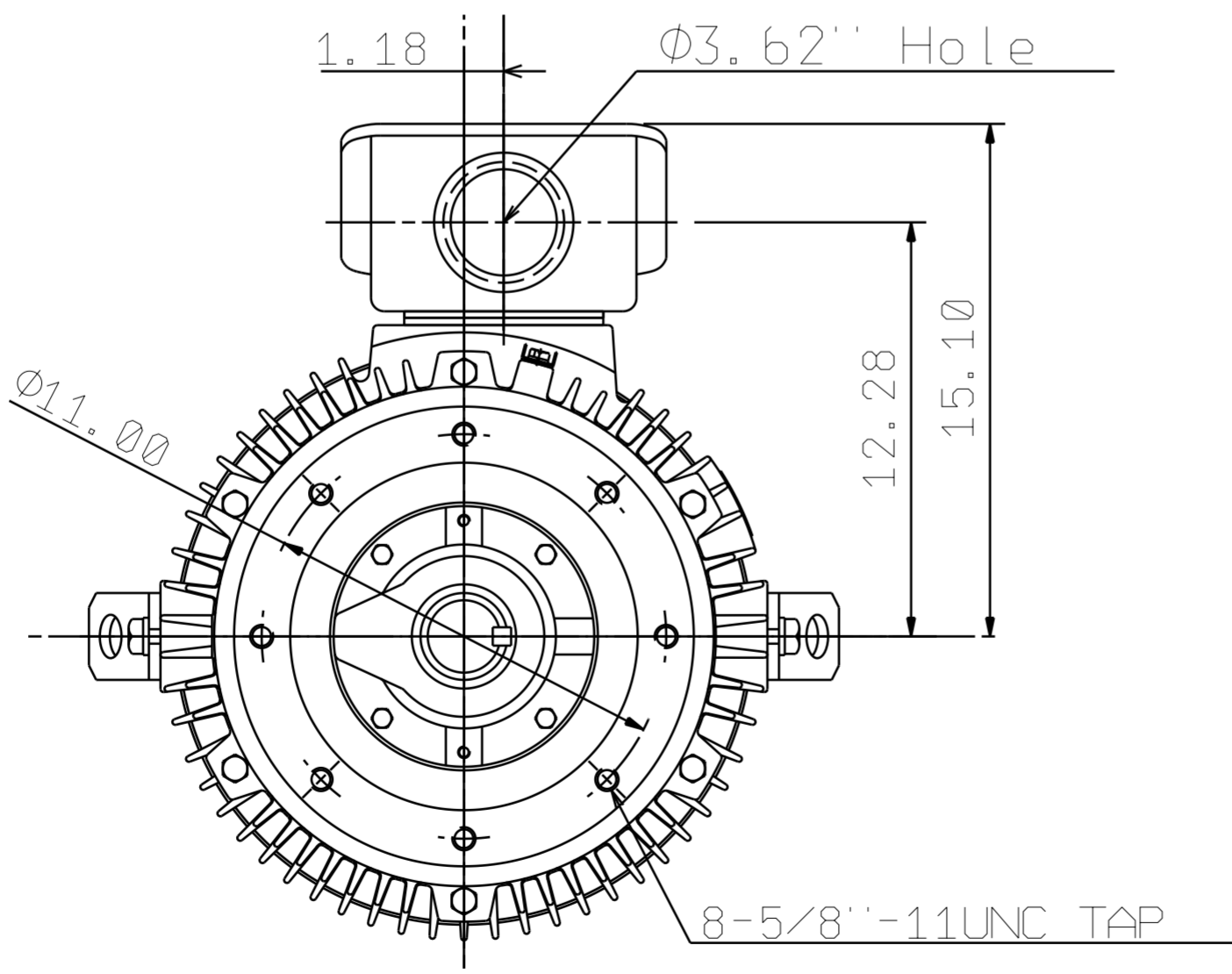
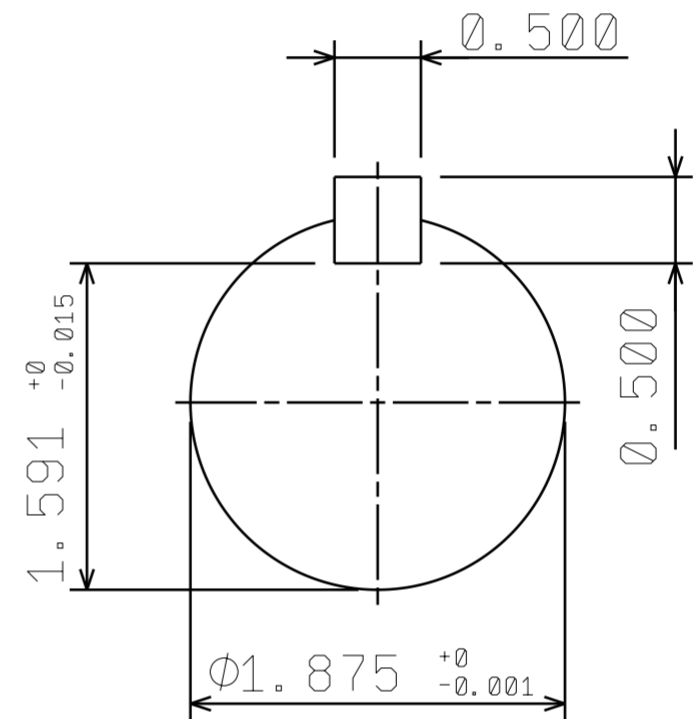
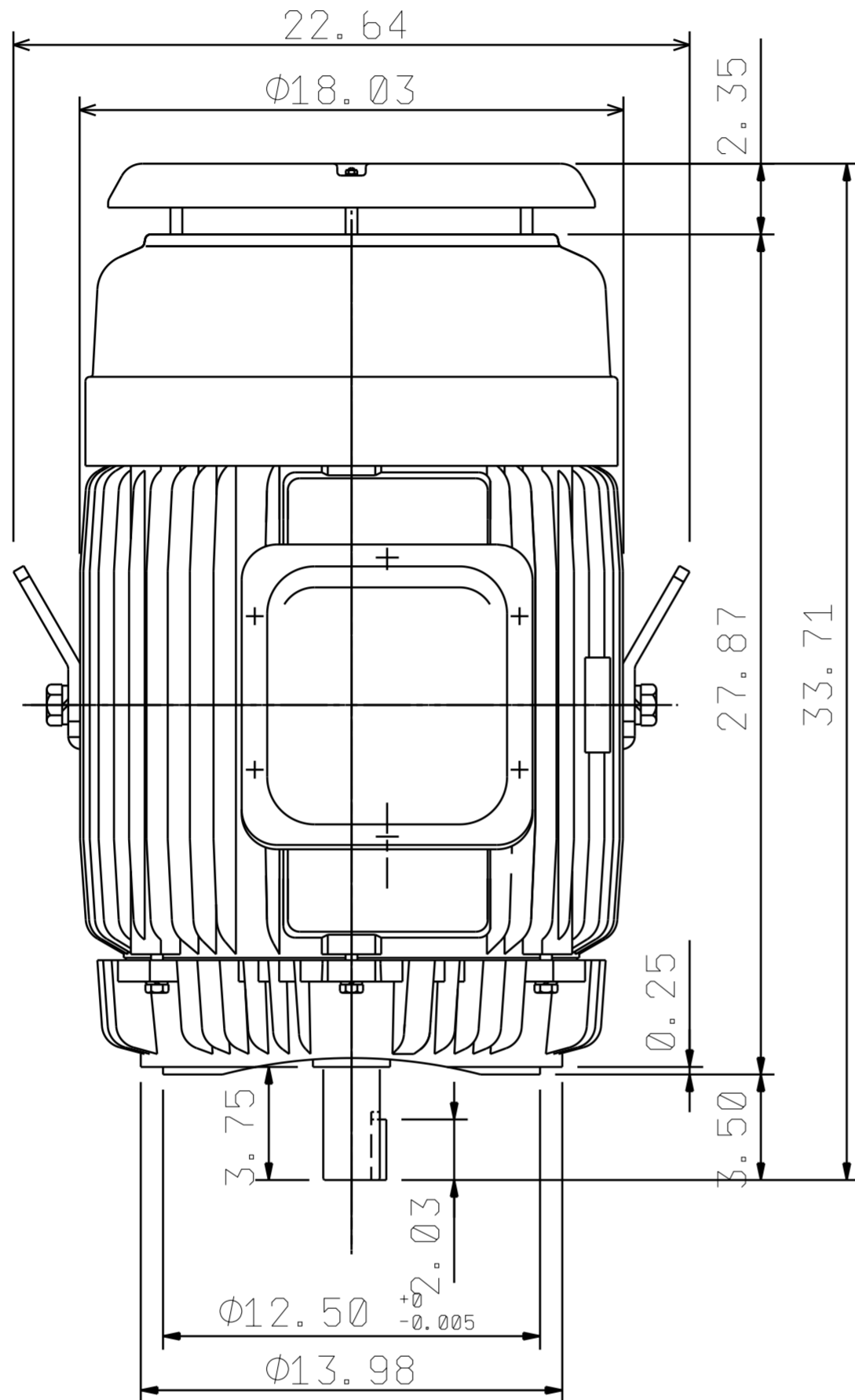
OUTLINE DIMENSIONS  
3-PHASE INDUCTION MOTOR

MOTOR TYPE:  
AEUH8PCF  
FRAME NO. 365TSC

| Pole | HP | kW   | Hz | VOLT    | r/min |
|------|----|------|----|---------|-------|
| 2    | 75 | 55.9 | 60 | 230/460 | 3600  |

| Ins | Rating | Dimension in | Approx Weight | Bearings               |
|-----|--------|--------------|---------------|------------------------|
| F   | CONT.  | inches       | 972           | DE: 6312C3 NDE: 6212C3 |

Totally Enclosed Fan-Cooled Vertical Type. Squirrel-Cage Rotor.



NOTES:

- ENCLOSURE: IP54.
- FOR DIRECT FLEXIBLE COUPLING.

TA17142-00-01

|       |  |          |
|-------|--|----------|
| DWG.  |  | 04.17.17 |
| CHKD. |  | 04.17.17 |
| APPD. |  | 04.17.17 |

TEC Westinghouse

DWG NO.  
31057A611090

# TECO Westinghouse

|                            |   |                             |
|----------------------------|---|-----------------------------|
| ISSUED<br><b>5/21/2017</b> | <b>PERFORMANCE DATA</b><br><b>3-PHASE INDUCTION MOTOR</b> | ENCLOSURE<br><b>TEFC</b>    |
| TYPE<br><b>AEUH8PDC</b>    |   | CATALOG#<br><b>NPV0752C</b> |

### NAMEPLATE INFORMATION

| OUTPUT    |             | POLE     | FRAME SIZE    | VOLTAGE        | HZ        | RATED AMBIENT | INS. CLASS | NEMA DESIGN | TIME RATING  | SERVICE FACTOR |
|-----------|-------------|----------|---------------|----------------|-----------|---------------|------------|-------------|--------------|----------------|
| HP        | KW          |          |               |                |           |               |            |             |              |                |
| <b>75</b> | <b>56.0</b> | <b>2</b> | <b>365TSC</b> | <b>230/460</b> | <b>60</b> | <b>40°C</b>   | <b>F</b>   | <b>B</b>    | <b>CONT.</b> | <b>1.15</b>    |

### VARIABLE FREQUENCY DRIVE SERVICE

|                 |                 |                 |                    |  |               |               |               |                |
|-----------------|-----------------|-----------------|--------------------|--|---------------|---------------|---------------|----------------|
| VARIABLE TORQUE |                 |                 |                    | OHMS/PHASE EQUIVALENT WYE CIRCUIT<br>(AT RATED OPERATING TEMPERATURE 25°C) |               |               |               |                |
| HZ              | HP              | RPM             | TORQUE (lb-ft)     | R1   | R2            | X1            | X2            | X <sub>m</sub> |
| <b>3~60</b>     | <b>0.009~75</b> | <b>180~3600</b> | <b>0.263~110.8</b> | <b>0.0277</b>  | <b>0.0639</b> | <b>0.2691</b> | <b>0.3003</b> | <b>17.664</b>  |

| CONSTANT TORQUE |               |                 |                | CONSTANT HORSEPOWER |           |             |                |
|-----------------|---------------|-----------------|----------------|---------------------|-----------|-------------|----------------|
| HZ              | HP            | RPM             | TORQUE (lb-ft) | HZ                  | HP        | RPM         | TORQUE (lb-ft) |
| <b>6~60</b>     | <b>7.5~75</b> | <b>360~3600</b> | <b>110.8</b>   | <b>60</b>           | <b>75</b> | <b>3600</b> | <b>110.8</b>   |

### TYPICAL PERFORMANCE

| FULL LOAD RPM | EFFICIENCY  |             |            |            | POWER FACTOR |             |            | SOUND PRESSURE LEVEL @ 3 FT Db(A) |
|---------------|-------------|-------------|------------|------------|--------------|-------------|------------|-----------------------------------|
|               | FULL LOAD   |             | 3/4 LOAD % | 1/2 LOAD % | FULL LOAD %  | 3/4 LOAD %  | 1/2 LOAD % |                                   |
|               | MIN.%       | NOM.%       |            |            |              |             |            |                                   |
| <b>3555</b>   | <b>93.6</b> | <b>94.5</b> | <b>95</b>  | <b>95</b>  | <b>93</b>    | <b>92.5</b> | <b>89</b>  | <b>83</b>                         |

| CURRENTS     |              |             |               |               |              |              |               |             | NEMA KVA CODE LETTER | SAFE STALL TIME IN SECONDS |           |
|--------------|--------------|-------------|---------------|---------------|--------------|--------------|---------------|-------------|----------------------|----------------------------|-----------|
| NO LOAD      |              |             | FULL LOAD     |               |              | LOCKED ROTOR |               |             |                      | COLD                       | HOT       |
| AT 208 VOLT  | AT 230 VOLT  | AT 460 VOLT | AT 208 VOLT   | AT 230 VOLT   | AT 460 VOLT  | AT 208 VOLT  | AT 230 VOLT   | AT 460 VOLT |                      |                            |           |
| <b>21.40</b> | <b>29.60</b> | <b>14.8</b> | <b>176.70</b> | <b>159.80</b> | <b>79.90</b> | <b>982.1</b> | <b>1086.0</b> | <b>543</b>  | <b>G</b>             | <b>17</b>                  | <b>12</b> |

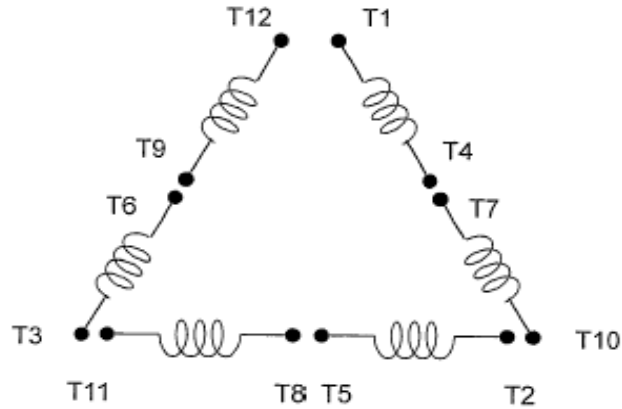
| TORQUE            |                   |              |                 | INERTIA                                     |   |   | ACCEL TIME (DOL)              |                                   | ALLOWABLE STARTS PER HOUR |          |
|-------------------|-------------------|--------------|-----------------|---|---|---|-------------------------------|-----------------------------------|---------------------------|----------|
| FULL LOAD (lb-ft) | LOCKED ROTOR %FLT | PULL UP %FLT | BREAK DOWN %FLT | ROTOR WR <sup>2</sup> (lb-ft <sup>2</sup> ) | NEMA LOAD WK <sup>2</sup> (lb-ft <sup>2</sup> ) | MAX ALLOWABLE WK <sup>2</sup> (lb-ft <sup>2</sup> ) | NEMA LOAD WK <sup>2</sup> Sec | MAX ALLOWABLE WK <sup>2</sup> Sec | COLD                      | HOT      |
| <b>110.80</b>     | <b>145</b>        | <b>130</b>   | <b>250</b>      | <b>9.056</b>                                | <b>71</b>                                       | <b>164</b>  | <b>4.39</b>                   | <b>9.49</b>                       | <b>2</b>                  | <b>1</b> |

|           |                  |             |                      |           |          |
|-----------|------------------|-------------|----------------------|-----------|----------|
| APPROVED: | <b>M. PRATER</b> | DRAWING NO. | <b>31057NPV0752C</b> | REVISION: | <b>1</b> |
|-----------|------------------|-------------|----------------------|-----------|----------|

DATE:  
September 13, 2006

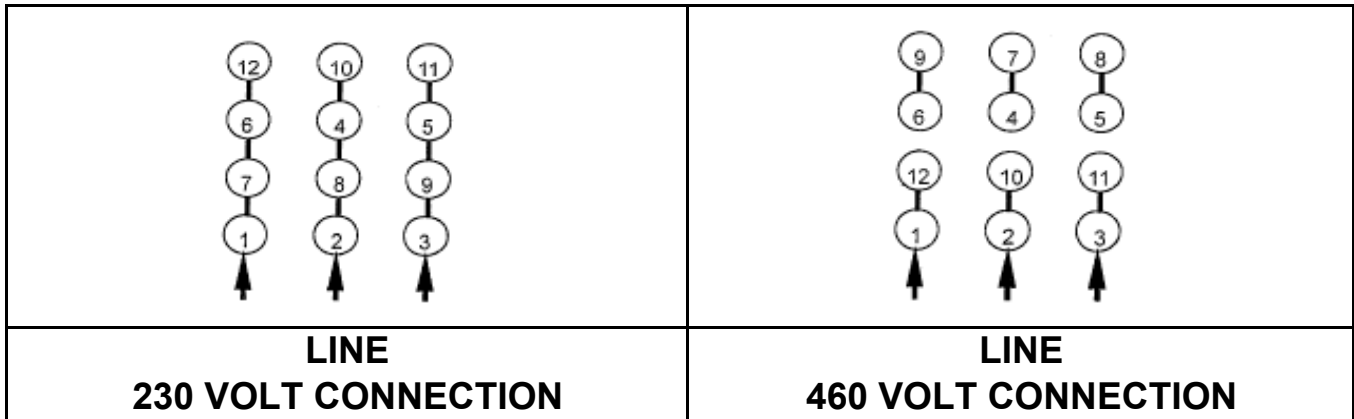
# CONNECTION DIAGRAM

CATALOG NO.:  
NPV0752C



**SCHEMATIC - Δ / Y CONNECTION**

## ACROSS THE LINE CONNECTION



## WYE START-DELTA RUN CONNECTION

