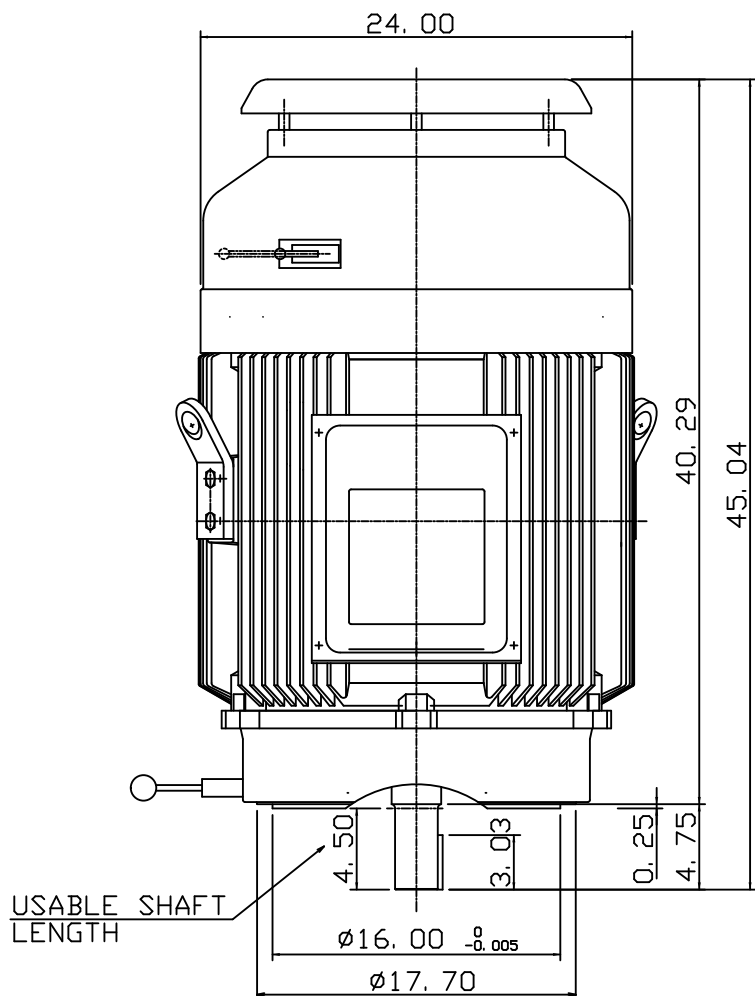


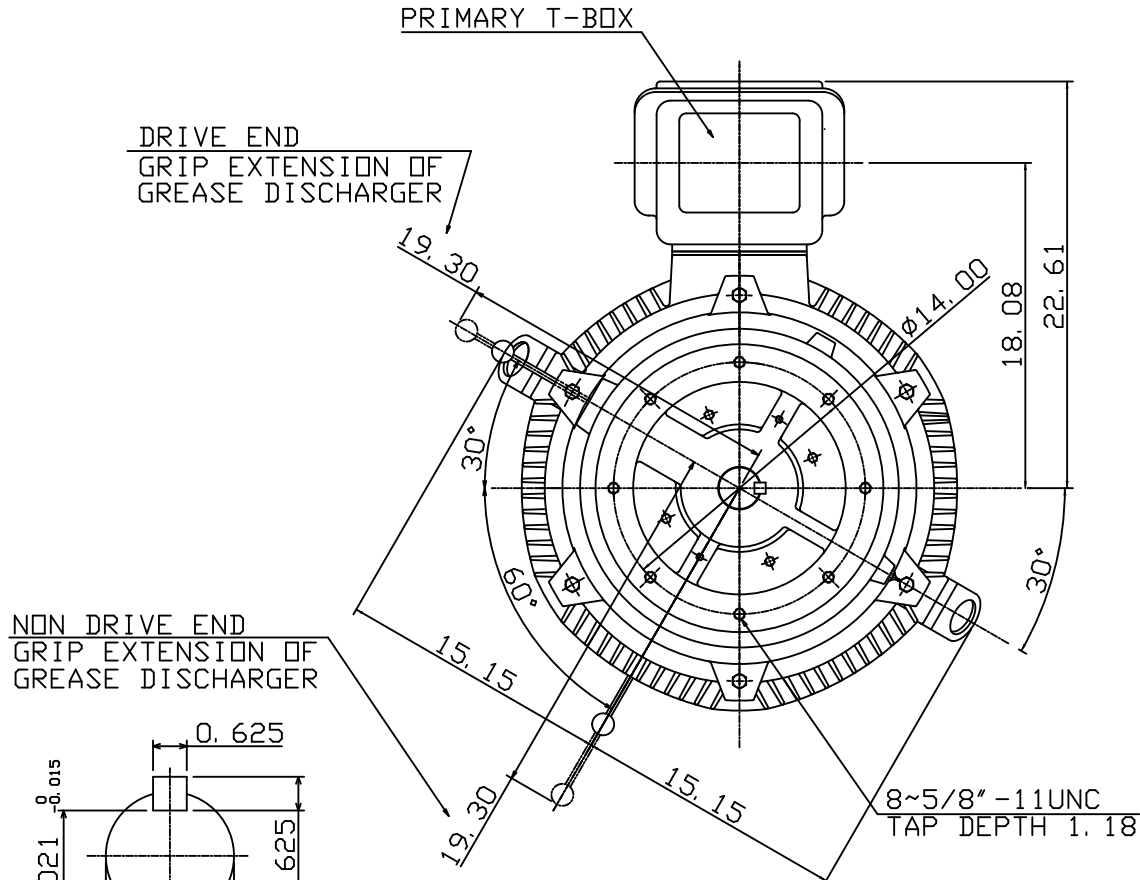
11 10 9 8 7 6 5 4 3 2 1

POLE	HP	KW	Hz	VOLT	RPM	INS.	RATING	DIMENSIONS	WEIGHT	BEARINGS
2	150	112	60	460	3600	F	CONT.	INCH	1515 LBS.	DE: 6314C3 NDE: 6314C3



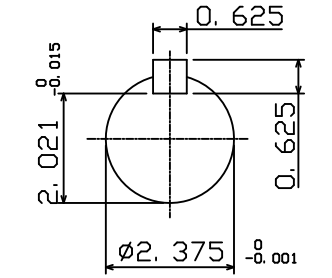
USABLE SHAFT LENGTH

NOTE:
 1. FOR DIRECT FLEXIBLE COUPLING
 2. ENCLOSURE: IP54 PROTECTION



NON DRIVE END
GRIP EXTENSION OF
GREASE DISCHARGER

DRIVE END
GRIP EXTENSION OF
GREASE DISCHARGER



SHAFT END
ENLARGED VIEW

BOTTOM VIEW OF MOTOR

OUTLINE DIMENSIONS 3-PHASE INDUCTION MOTOR			
TYPE	AEUH8P-CF	FRAME	EHV-445TSC
CATALOG NO.	NPV1504C	DATE	042919

DWN.	C. COOK	04-29-19

TEC Westinghouse

DWG NO.
NPV1504C

11 10 9 8 7 6 5 4 3 2 1

TECO Westinghouse

ISSUED 4/29/2019	PERFORMANCE DATA 3-PHASE INDUCTION MOTOR	ENCLOSURE TEFC
TYPE AEUH8P-CF		CATALOG# NPV1252C

NAMEPLATE INFORMATION

OUTPUT		POLE	FRAME SIZE	VOLTAGE	HZ	RATED AMBIENT	INS. CLASS	NEMA DESIGN	TIME RATING	SERVICE FACTOR
HP	KW									
125	93.3	2	444TSC	230/460	60	40°C	F	B	CONT.	1.15

VARIABLE FREQUENCY DRIVE SERVICE

VARIABLE TORQUE				OHMS/PHASE EQUIVALENT WYE CIRCUIT (AT RATED OPERATING TEMPERATURE 25°C)				
HZ	HP	RPM	TORQUE (lb-ft)	R1	R2	X1	X2	X _m
3-60	0.0156-125	180-3600	0.455-184	0.0461	0.0375	0.389	0.707	17.9

CONSTANT TORQUE				CONSTANT HORSEPOWER			
HZ	HP	RPM	TORQUE (lb-ft)	HZ	HP	RPM	TORQUE (lb-ft)
6-60	12.5-125	360-3600	184	60	125	3600	184

TYPICAL PERFORMANCE

FULL LOAD RPM	EFFICIENCY				POWER FACTOR			SOUND PRESSURE LEVEL @ 3 FT Db(A)
	FULL LOAD		3/4 LOAD %	1/2 LOAD %	FULL LOAD %	3/4 LOAD %	1/2 LOAD %	
	MIN.%	NOM.%						
3566	94.1	95	94.5	93.6	86	83.5	80	83

CURRENTS									NEMA KVA CODE LETTER	SAFE STALL TIME IN SECONDS	
NO LOAD			FULL LOAD			LOCKED ROTOR				COLD	HOT
AT 208 VOLT	AT 230 VOLT	AT 460 VOLT	AT 208 VOLT	AT 230 VOLT	AT 460 VOLT	AT 208 VOLT	AT 230 VOLT	AT 460 VOLT			
66.60	74.60	37.3	316.25	286.00	143.00	1641.4	1815.0	910	G	29	20

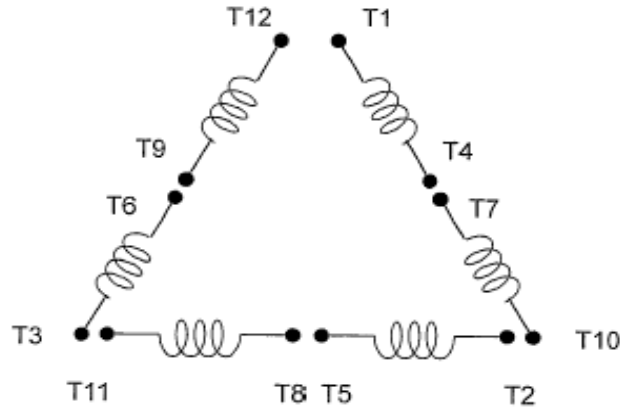
TORQUE				INERTIA			ACCEL TIME (DOL)		ALLOWABLE STARTS PER HOUR	
FULL LOAD (lb-ft)	LOCKED ROTOR %FLT	PULL UP %FLT	BREAK DOWN %FLT	ROTOR WR ² (lb-ft ²)	NEMA LOAD WK ² (lb-ft ²)	MAX ALLOWABLE WK ² (lb-ft ²)	NEMA LOAD WK ² Sec	MAX ALLOWABLE WK ² Sec	COLD	HOT
184.20	110	88	220	16.6	113	113	4.99	4.99	2	1

APPROVED:	M. PRATER	DRAWING NO.	31057NPV1252C	REVISION:	1
-----------	------------------	-------------	----------------------	-----------	----------

DATE:
September 13, 2006

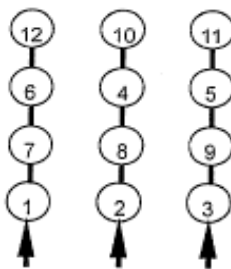
CONNECTION DIAGRAM

CATALOG NO.:
NPV1252C

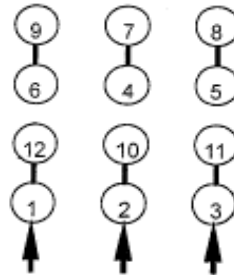


SCHEMATIC - Δ / Y CONNECTION

ACROSS THE LINE CONNECTION

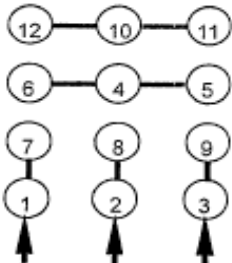


LINE
230 VOLT CONNECTION

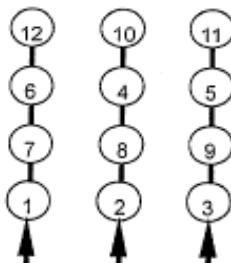


LINE
460 VOLT CONNECTION

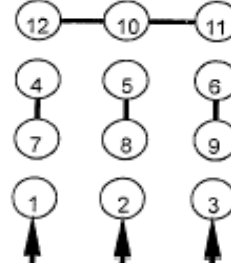
WYE START-DELTA RUN CONNECTION



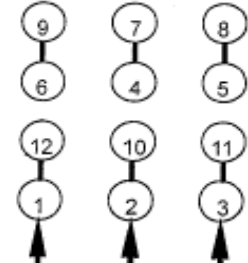
LINE
230 VOLT START



LINE
230 VOLT RUN



LINE
460 VOLT START



LINE
460 VOLT RUN