

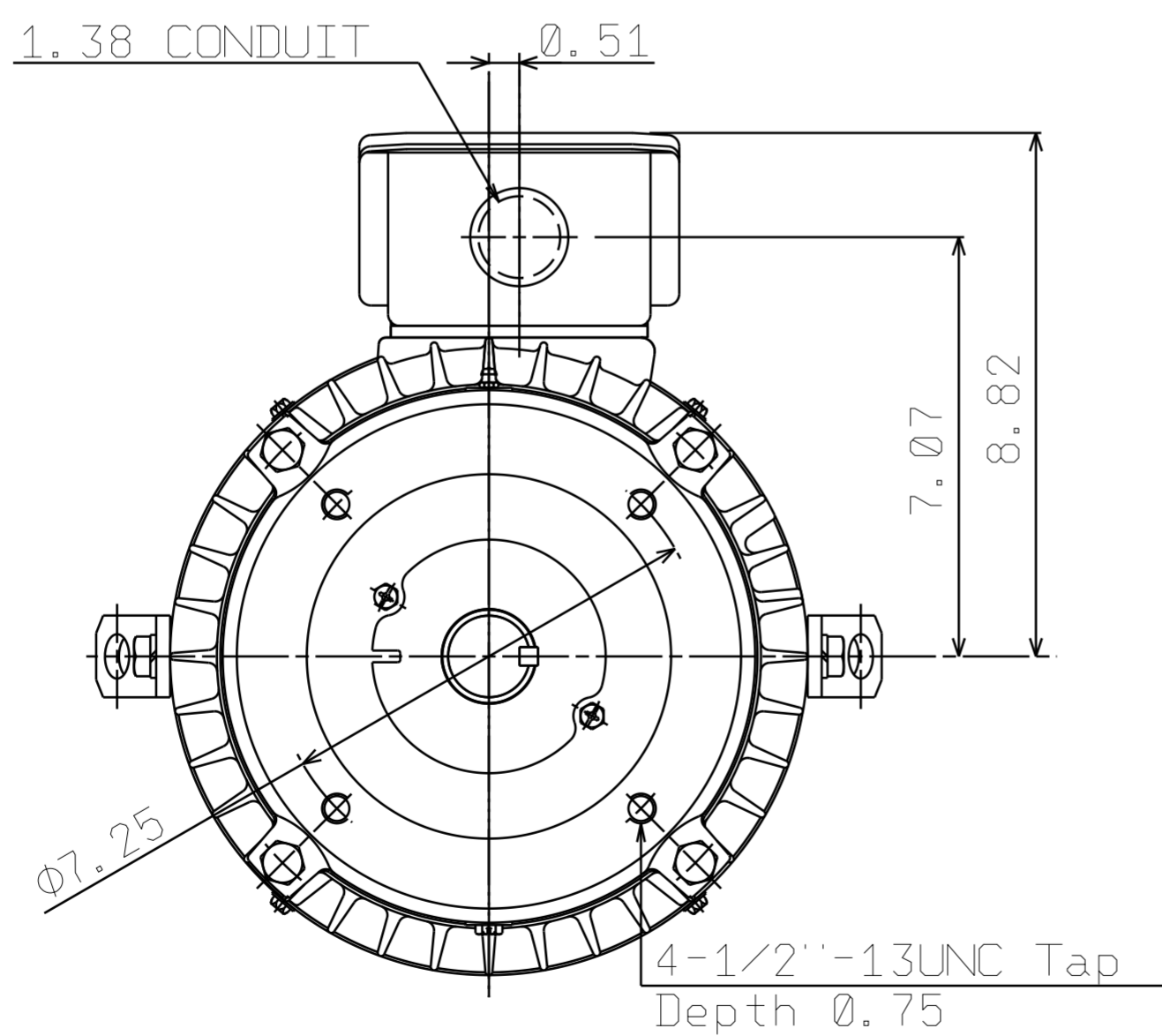
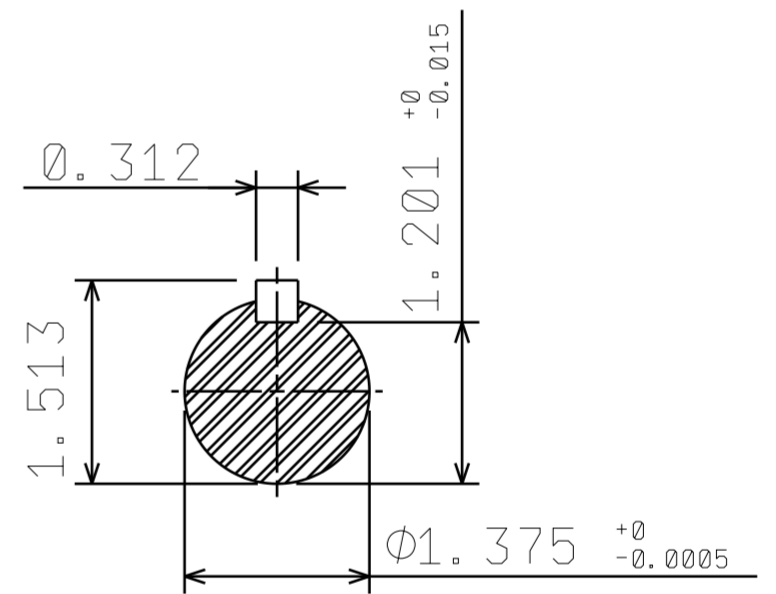
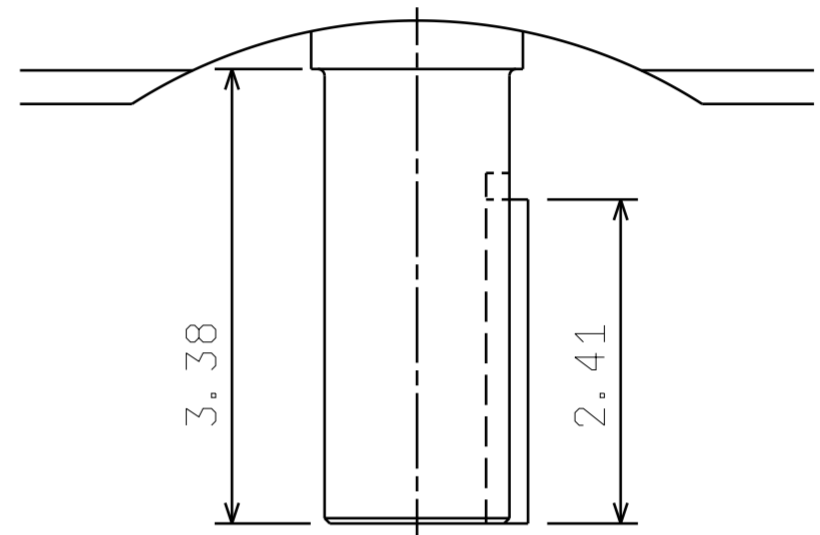
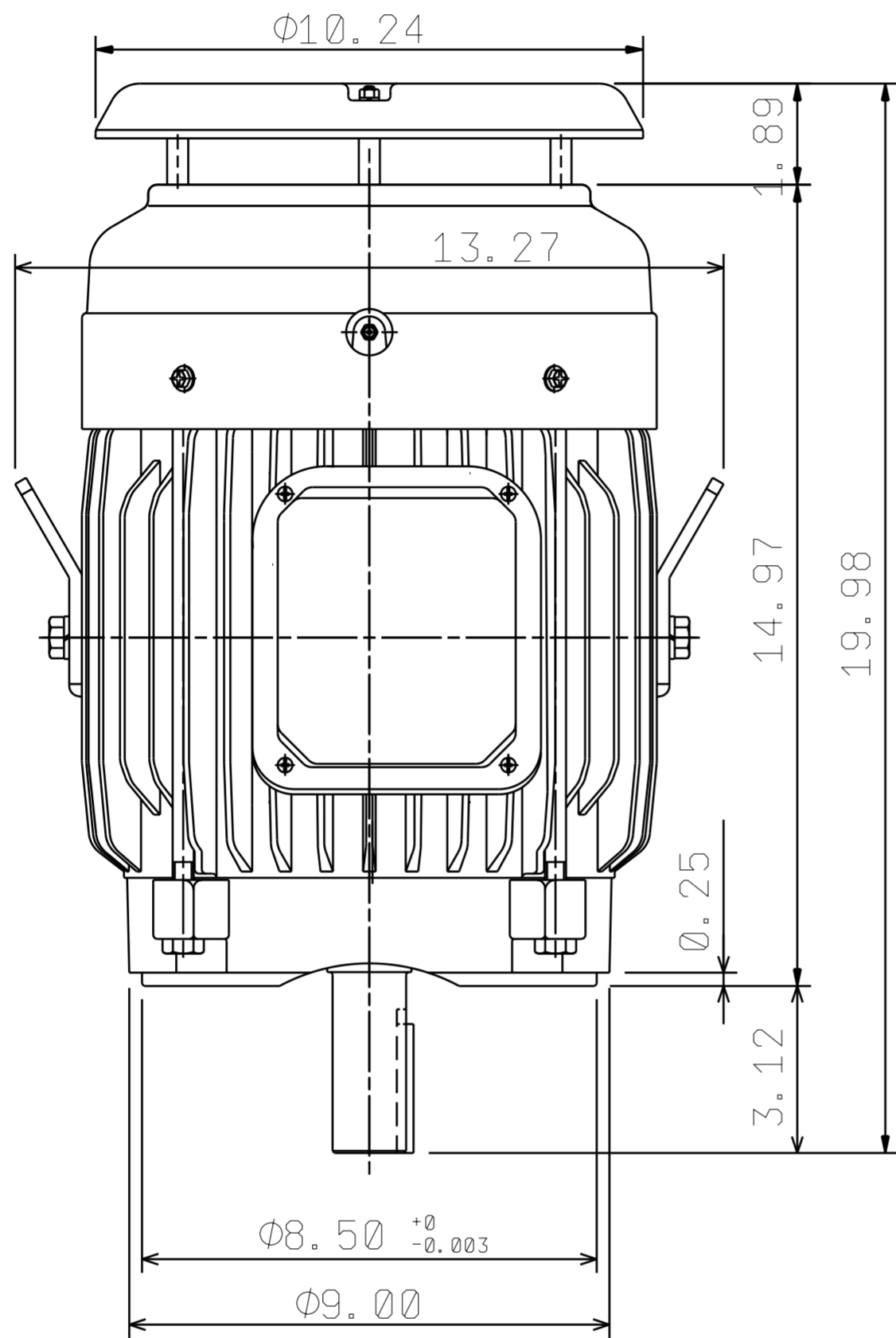
DATE
MAY 06, 2017
CATALOG NO.: NPV7/52C

OUTLINE DIMENSIONS
3-PHASE INDUCTION MOTOR

MOTOR TYPE:
AEUH8PCF
FRAME NO. 213TC

Pole	HP	kW	Hz	VOLT	r/min
2	7.5	5.6	60	230/460	3600
Ins	Rating	Dimension in	Approx Weight	Bearings	
F	CONT.	inches	182	DE: 6308ZZ NDE: 6306ZZ	

Totally Enclosed Fan-Cooled Vertical Type. Squirrel-Cage Rotor.



NOTES:

- ENCLOSURE: IP54.
- FOR DIRECT FLEXIBLE COUPLING.

TA17142-00-01

	.		.
--	---	--	---

DWG.		04.12.17
CHKD.		04.12.17
APPD.		04.12.17



DWG NO.
31057A279420

TECO Westinghouse

ISSUED 5/21/2017	PERFORMANCE DATA 3-PHASE INDUCTION MOTOR	ENCLOSURE TEFC
TYPE AEUH8PDC		CATALOG# NPV7/52C

NAMEPLATE INFORMATION

OUTPUT		POLE	FRAME SIZE	VOLTAGE	HZ	RATED AMBIENT	INS. CLASS	NEMA DESIGN	TIME RATING	SERVICE FACTOR
HP	KW									
7.5	5.6	2	213TC	230/460	60	40°C	F	B	CONT.	1.15

VARIABLE FREQUENCY DRIVE SERVICE

VARIABLE TORQUE				OHMS/PHASE EQUIVALENT WYE CIRCUIT (AT RATED OPERATING TEMPERATURE 25°C)				
HZ	HP	RPM	TORQUE (lb-ft)	R1	R2	X1	X2	X _m
3~60	0.001~7.5	180~3600	0.029~11.22	0.4946	0.7508	2.2045	4.2561	101.99

CONSTANT TORQUE				CONSTANT HORSEPOWER			
HZ	HP	RPM	TORQUE (lb-ft)	HZ	HP	RPM	TORQUE (lb-ft)
6~60	.75~7.5	360~3600	11.22	60~90	7.5	3600~5400	11.22~7.480

TYPICAL PERFORMANCE

FULL LOAD RPM	EFFICIENCY				POWER FACTOR			SOUND PRESSURE LEVEL @ 3 FT Db(A)
	FULL LOAD		3/4 LOAD %	1/2 LOAD %	FULL LOAD %	3/4 LOAD %	1/2 LOAD %	
	MIN.%	NOM.%						
3510	89.5	91	91	90.2	89	87	80	70

CURRENTS									NEMA KVA CODE LETTER	SAFE STALL TIME IN SECONDS	
NO LOAD			FULL LOAD			LOCKED ROTOR				COLD	HOT
AT 208 VOLT	AT 230 VOLT	AT 460 VOLT	AT 208 VOLT	AT 230 VOLT	AT 460 VOLT	AT 208 VOLT	AT 230 VOLT	AT 460 VOLT			
4.72	5.10	2.55	19.13	17.30	8.67	115.8	128.0	64	H	17	12

TORQUE				INERTIA			ACCEL TIME (DOL)		ALLOWABLE STARTS PER HOUR	
FULL LOAD (lb-ft)	LOCKED ROTOR %FLT	PULL UP %FLT	BREAK DOWN %FLT	ROTOR WR ² (lb-ft ²)	NEMA LOAD WK ² (lb-ft ²)	MAX ALLOWABLE WK ² (lb-ft ²)	NEMA LOAD WK ² Sec	MAX ALLOWABLE WK ² Sec	COLD	HOT
11.22	200	175	275	0.448	8.3	19	4.02	8.94	2	1

APPROVED:	M. PRATER	DRAWING NO.	31057NPV7/52C	REVISION:	1
-----------	------------------	-------------	----------------------	-----------	----------

DATE:
September 13, 2006

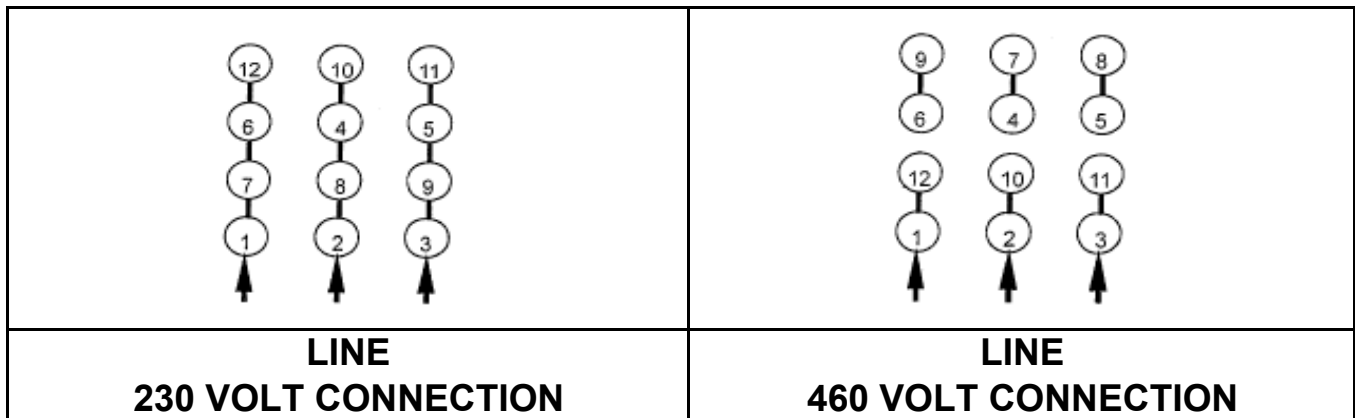
CONNECTION DIAGRAM

CATALOG NO.:
NPV7/52C



SCHEMATIC - Δ / Y CONNECTION

ACROSS THE LINE CONNECTION



WYE START-DELTA RUN CONNECTION

