

BALDOR[®] • RELIANCE 

Product Information Packet

RM3007A

.33HP,1725RPM,3PH,60HZ,48,3413M,OPEN,F1

Part Detail							
Revision:	F	Status:	PRD/A	Change #:		Proprietary:	No
Type:	AC	Elec. Spec:	34WGS872	CD Diagram:	CD0007	Mfg Plant:	
Mech. Spec:	34K015	Layout:	34LYK015	Poles:	04	Created Date:	09-27-2013
Base:	RS	Eff. Date:	04-23-2021	Leads:	12#18		

Specs			
Catalog Number:	RM3007A	Insulation Class:	B
Enclosure:	OPEN	Inverter Code:	Not Inverter
Frame:	48	KVA Code:	L
Frame Material:	Steel	Lifting Lugs:	No Lifting Lugs
Output @ Frequency:	.330 HP @ 60 HZ	Locked Bearing Indicator:	No Locked Bearing
Synchronous Speed @ Frequency:	1800 RPM @ 60 HZ	Motor Lead Quantity/Wire Size:	12 @ 18 AWG
Voltage @ Frequency:	208.0 V @ 60 HZ	Motor Lead Exit:	Terminal Panel Or Lead Hole
	460.0 V @ 60 HZ	Motor Lead Termination:	Flying Leads
	230.0 V @ 60 HZ	Motor Type:	3413M
XP Class and Group:	None	Mounting Arrangement:	F1
XP Division:	Not Applicable	Power Factor:	57
Agency Approvals:	CSA	Product Family:	General Purpose
	UR	Pulley End Bearing Type:	Ball
Auxillary Box:	No Auxillary Box	Pulley Face Code:	Resilient Mount
Auxillary Box Lead Termination:	None	Pulley Shaft Indicator:	Standard
Base Indicator:	Resilient	Rodent Screen:	None
Bearing Grease Type:	Polyrex EM (-20F +300F)	RoHS Status:	ROHS COMPLIANT
Blower:	None	Shaft Extension Location:	Pulley End

Current @ Voltage:	2.000 A @ 208.0 V	Shaft Ground Indicator:	No Shaft Grounding
	1.800 A @ 208.0 V	Shaft Rotation:	Reversible
	1.600 A @ 230.0 V	Shaft Slinger Indicator:	No Slinger
	.800 A @ 460.0 V	Speed Code:	Single Speed
Design Code:	B	Motor Standards:	NEMA
Drip Cover:	No Drip Cover	Starting Method:	Direct on line
Duty Rating:	CONT	Thermal Device - Bearing:	None
Electrically Isolated Bearing:	Not Electrically Isolated	Thermal Device - Winding:	None
Feedback Device:	NO FEEDBACK	Vibration Sensor Indicator:	No Vibration Sensor
Front Face Code:	Resilient Mount	Winding Thermal 1:	Automatic Thermal Overload
Front Shaft Indicator:	None	Winding Thermal 1 Location:	SB
Heater Indicator:	No Heater	Winding Thermal 2:	None

Nameplate NP1257L	
CAT.NO.	RM3007A
SPEC.	34K015S872G2
HP	.33
VOLTS	208-230/460
AMP	1.8-1.6/.8
RPM	1725
FRAME	48
HZ	60
PH	3
SER.F.	1.25
CODE	L
DES	B
CL	B
NEMA-NOM-EFF	68
PF	57
RATING	40C AMB-CONT
CC	USABLE AT 208V 2
DE	6203
ODE	6203
ENCL	OPEN
SN	
	SFA 2-1.8/.9

Parts List		
Part Number	Description	Quantity
SA269821	SA 34K015S872G2	1.000 EA
RA256465	RA 34K015S872G2	1.000 EA
SP1000A09	TERM BOARD, MODEL 34 SW, (RPL SP1000A01)	1.000 EA
MG1000G27	MED CHARCOAL METALLIC GREY 400-0096	0.014 GA
85XU0407S04	4X1/4 U DRIVE PIN STAINLESS	2.000 EA
11XW0832G06	#8-32 X 3/8, TAPTITE II, HEX WSHR SLTD	1.000 EA
LD5000A52	LEAD ASSY W/INTERNAL STAR RING TERMINALS	1.000 EA
11XT1032A06	10-32 X 3/8 HX WSHR HD SLTD TYPE 23	2.000 EA
34EP3202A01	FR ENDPLATE, MACH	1.000 EA
RM1000A03	CUSHION RING, MDL 17-33-34	1.000 EA
HA6004A01A	CLAMP CUSHION RING ASSY	1.000 EA
WD4100A01	DP-875 HEYCO PLUG OR 62MP0875 MICRO PLAS	1.000 EA
HW5100A03	WAVY WASHER (W1543-017)	1.000 EA
34EP3203A01	PU ENDPLATE, MACH	1.000 EA
RM1000A03	CUSHION RING, MDL 17-33-34	1.000 EA
HA6004A01A	CLAMP CUSHION RING ASSY	1.000 EA
XY1032A02	10-32 HEX NUT DIRECTIONAL SERRATION	4.000 EA
34CB4501SP	TERMINAL BOX LID, STAMPED X (PLATED)	1.000 EA
51XW0832A07	8-32 X .44, TAPTITE II, HEX WSHR SLTD SE	2.000 EA
51XW0832A07	8-32 X .44, TAPTITE II, HEX WSHR SLTD SE	2.000 EA
34BA4001A01SP	RESILIENT BASE, 408-416	1.000 EA
HA3100A12	THRUBOLT 10-32 X 7.375	4.000 EA
MN416A01	TAG-INSTAL-MAINT no wire (2100/bx) 4/22	1.000 EA
LB1118	LABEL,WARNING (ROLL LABEL)	1.000 EA

Parts List (continued)		
Part Number	Description	Quantity
LC0007	CONNECTION LABEL	1.000 EA
NP1257L	ALUM UL CSA CC THERMAL REV MTG	1.000 EA
35PA1066	PKG GRP, PRINT PK1008A06	1.000 EA

AC Induction Motor Performance Data

Record # 43524

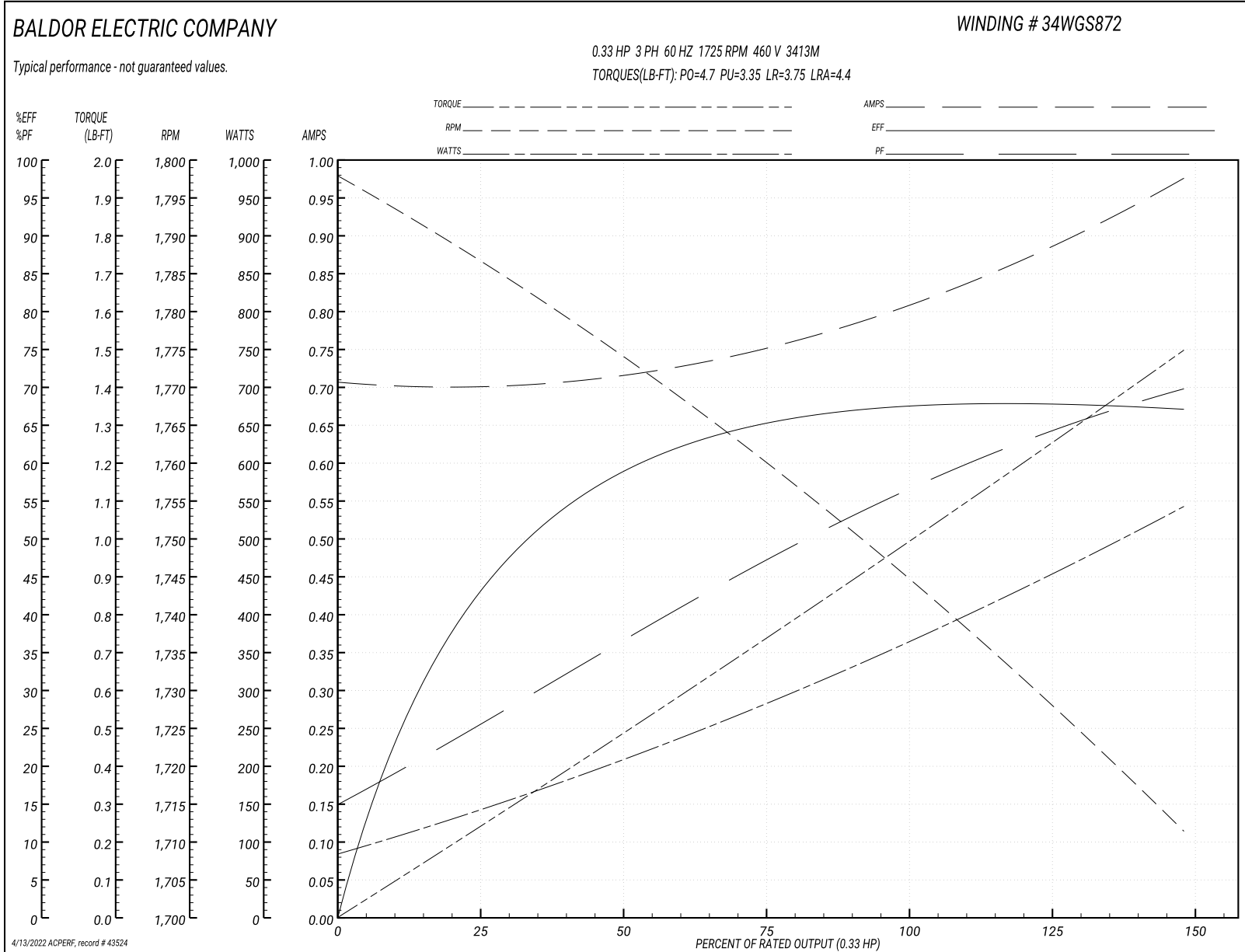
Typical performance - not guaranteed values

Winding: 34WGS872-R004		Type: 3413M		Enclosure: OPEN	
Nameplate Data			460 V, 60 Hz: High Voltage Connection		
Rated Output (HP)	.33		Full Load Torque	1 LB-FT	
Volts	208-230/460		Start Configuration	direct on line	
Full Load Amps	1.8-1.6/.8		Breakdown Torque	4.7 LB-FT	
R.P.M.	1725		Pull-up Torque	3.35 LB-FT	
Hz	60 Phase	3	Locked-rotor Torque	3.75 LB-FT	
NEMA Design Code	B KVA Code	L	Starting Current	4.4 A	
Service Factor (S.F.)	1.25		No-load Current	0.7 A	
NEMA Nom. Eff.	68 Power Factor	57	Line-line Res. @ 25°C	49.1 Ω	
Rating - Duty	40C AMB-CONT		Temp. Rise @ Rated Load		
S.F. Amps	2-1.8/.9		Temp. Rise @ S.F. Load		

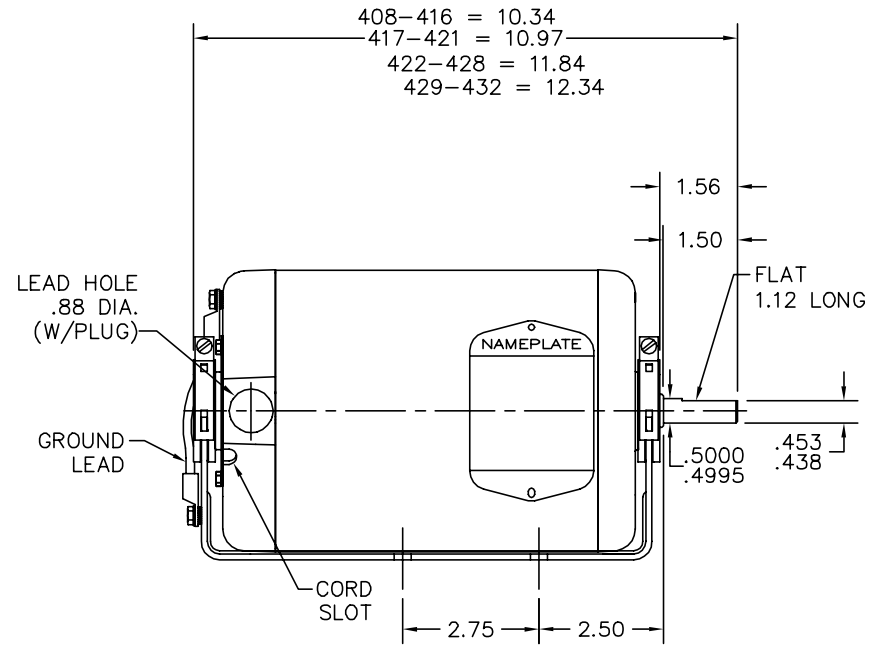
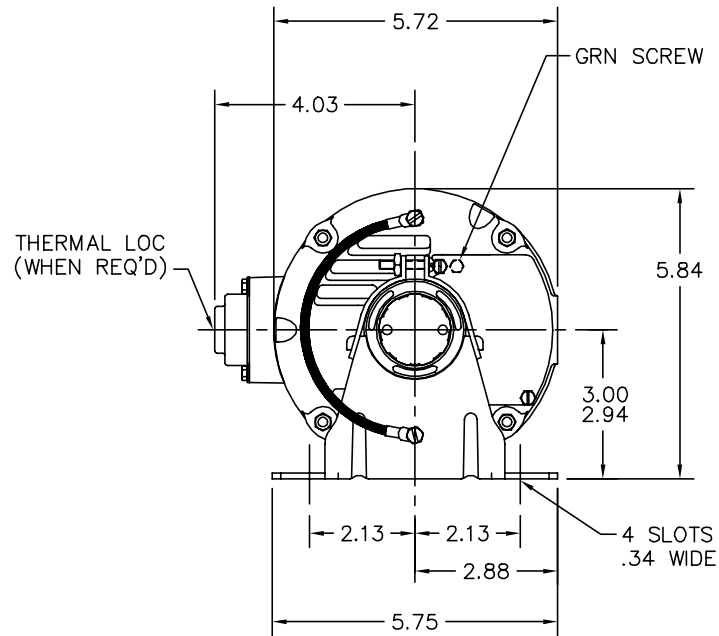
Load Characteristics 460 V, 60 Hz, 0.33 HP

% of Rated Load	25	50	75	100	125	150	S.F.
Power Factor	26	37	47	57	67	68	67
Efficiency	44.1	59	65.1	68	68.2	67	67.6
Speed	1788	1770	1760	1745	1730	1710	1722
Line amperes	0.7	0.73	0.77	0.8	0.85	1	0.91


Performance Graph at 460V, 60Hz, 0.33HP Typical performance - Not guaranteed values



34LYK015



CUSTOMER IS RESPONSIBLE FOR DETERMINING THAT BALDOR'S PRODUCT WILL PERFORM SUITABLY IN THE INTENDED APPLICATION.

REV. DESC: ADD DIM FROM SHAF SHOULDER TO BASE HOLE		
REV. LTR: G	VERSION: 02	TDR: 000000958703
FILE: \AAA\00026\680	REVISED: 08:07:53 12/28/2015	BY: ENFRAJ0
MTL: -		

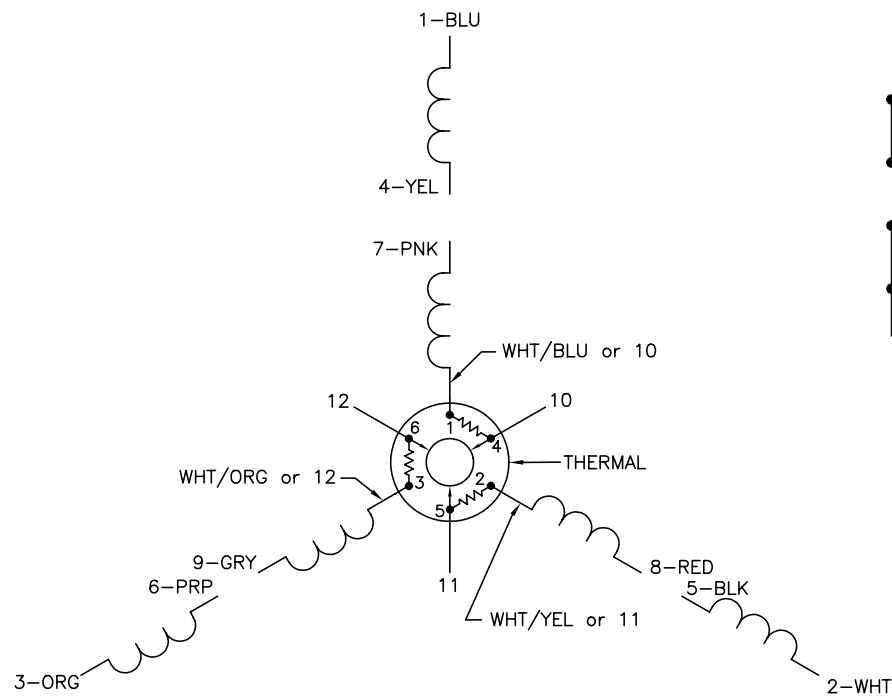
BALDOR

STD RESIL MTD MODEL 34M NEMA 48 OPEN MTR W/TERM PANEL

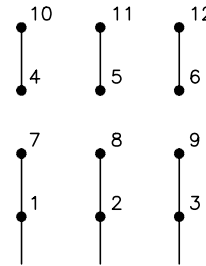
SH 1 of 1

34LYK015

CD0007

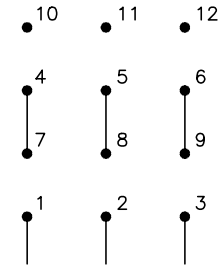


LOW VOLTAGE
(2Y)



LINE

HIGH VOLTAGE
(1Y)



LINE

NOTES:

1. INTERCHANGE ANY TWO LINE LEADS TO REVERSE ROTATION.
2. ACTUAL NUMBER OF INTERNAL PARALLEL CIRCUITS MAY VARY.
3. LEAD COLORS ARE OPTIONAL. LEADS MUST ALWAYS BE NUMBERED AS SHOWN.

REV. DESC: ADDED "CK" PLANT CODE			
REV. LTR: E	BY: EAH	REVISED: 05/06/99 17:1	TDR: 0181040
L00000		FILE: AAA00008370	MDL: -
		MTL: -	

BALDOR ELECTRIC Co.

3PH, DV, THERMAL, 12 LEADS

CD0007