

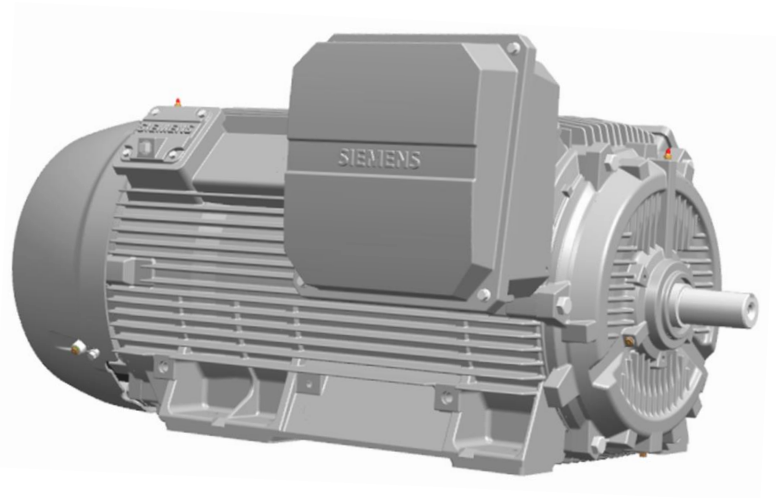
Flexibility Meets Best-in-Class Design

Introducing the new
SIMOTICS SD200 Severe-Duty Motor

One motor for any challenge

Flexibility + Best-in-Class Design

SIMOTICS SD200 low voltage motor gets the job done in the harshest environments and toughest applications.



- SD200 440 Frame builds on a solid accepted philosophy design as well as on the innovative success of the award winning SD200 500 Frame



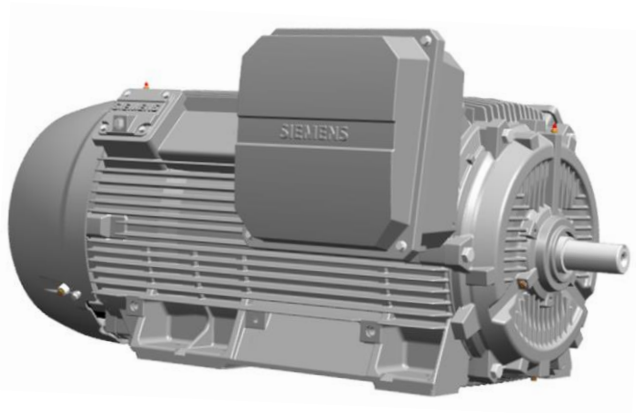
- SD200 design philosophy:
 - Efficiency
 - Flexibility
 - Safety and Reliability



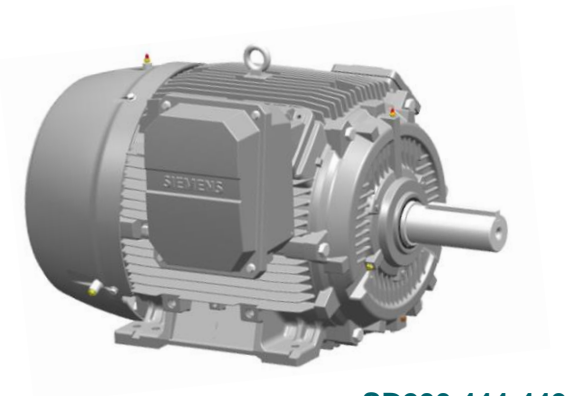
SD200 – 440 Frame

What makes the difference ?

- ✓ Design B across the complete range
- ✓ Bidirectional fan
- ✓ Up to 240% starting torque and low starting current
- ✓ Insulation Class H
- ✓ Prepared for NEMA Super Premium efficiency (IE4)
- ✓ Field modifiable F1, F2, F3
- ✓ More flexibility to meet VSD requirements
- ✓ Auxiliary box for NDE – L449
- ✓ Footless motor design for all 440 frames
- ✓ 4 castings, one outside diameter
- ✓ Class I, Class II - Division 2 Standard



SD200 L449



SD200 444-449

SD200 – 440 Frame – Sales Release

Available now !

- Foot mounted motors + C Face & D Flange
- SD200 standard 2 & 4 Poles
- 125HP to 400HP
- FS 444, 445, 447, 449, L449
- Short Shaft, Long Shaft, Roller bearing
- Class I, Class II, Division 2 as standard
- Quick Mods and Modifications are available as motors come into stock
- Spare parts are available in Southaven
- Stock motors already in production
- Fully Supported by DT Configurator
- Selection and Pricing Guide Update released

Coming soon

- SD200 Std – 6 & 8 Poles
- SD200 841 – 2, 4, 6 & 8 Poles
- FS 444, 445, 447, 449, L449
- Short Shaft, Long Shaft, Roller bearing
- Class I, Class II, Division 2
- Round body C Face & D Flange, for all motors
- Blower, Brake and encoder options

SD200 – 440 Frame – Technical Overview

HP range	100–400 HP
Frame size	444, 445, 447, 449, L449
Speed	900, 1200, 1800, 3600 RPM
Frame and fan cover	Cast iron
Efficiency class	NEMA Premium efficiency, NEMA Super Premium efficiency (upon request)
Voltage	460 V, 575 V
Service factor	1.15 @ 40°C
Insulation	Class H, non-hygroscopic
Temperature rise	Class B @ 1.0 SF., Class F @ 1.15 SF
Conduit box (oversized)	Cast iron, field-modifiable, non-drive end option available from factory (L449)
Cooling fan	Bi-directional
Rotor	Die-cast aluminum
Inverter duty	VT 20:1, CT 4:1 (444-449) , 2:1 CT (L449)
Hazardous classification	Division 2, Class I - Groups A,B,C or D, Class II – Groups E, F or G
Ingress protection	IP55
Enclosure	TEFC (IC411)