

PRODUCT INFORMATION PACKET

Model No: 444TTGN16533

Catalog No: U036A

Explosion Proof Motor, 125 HP, 3 Ph, 60 Hz, 575 V, 1800 RPM, 444T Frame, EPFC



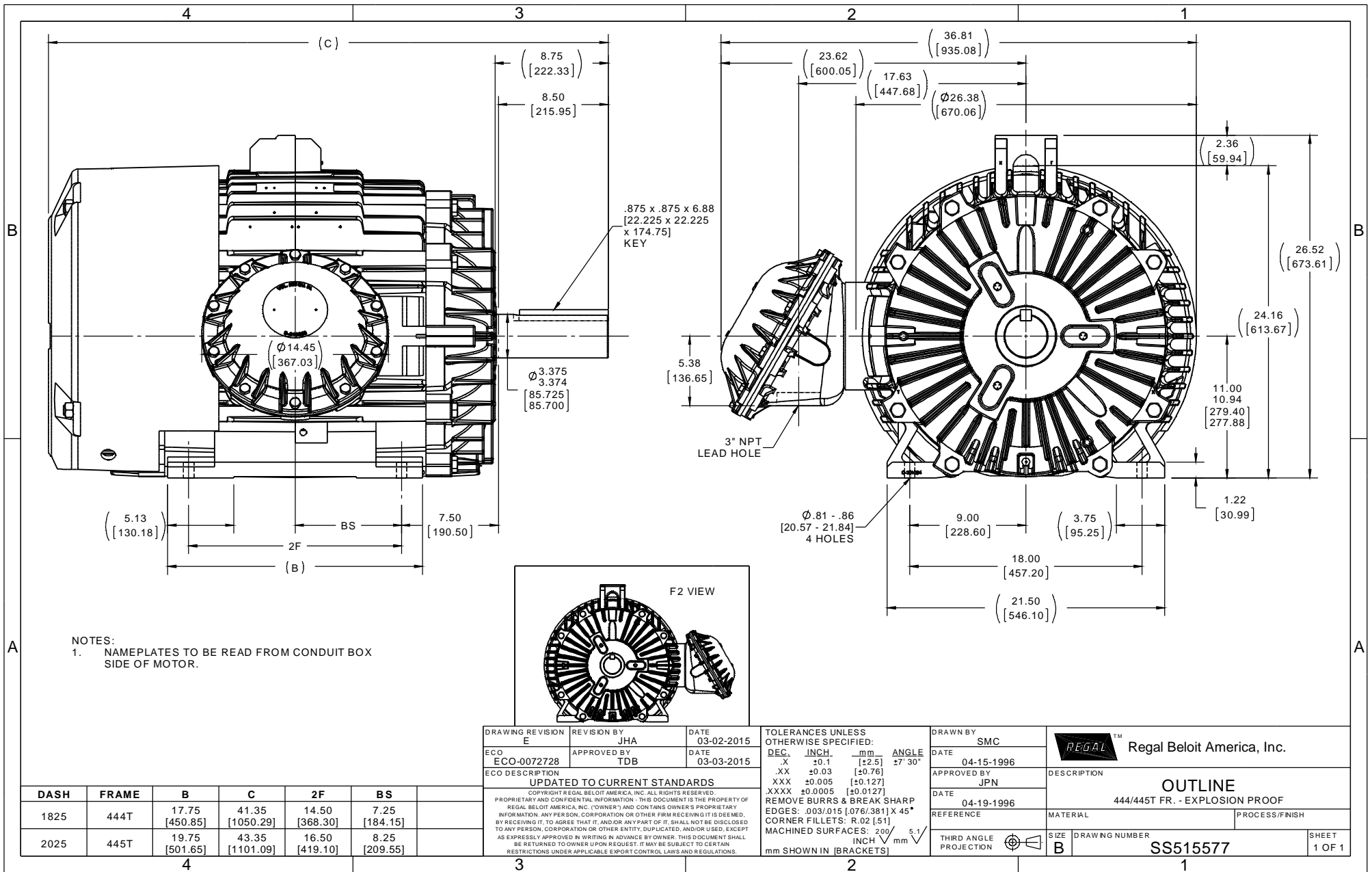
Regal and are trademarks of Regal Rexnord Corporation or one of its affiliated companies.
©2022 Regal Rexnord Corporation, All Rights Reserved. MC017097E

Nameplate Specifications

Output HP	125 Hp	Output KW	93.0 kW
Frequency	60 Hz	Voltage	575 V
Current	114.0 A	Speed	1785 rpm
Service Factor	1.15	Phase	3
Efficiency	95.8 %	Power Factor	86
Duty	Continuous	Insulation Class	F
Design Code	B	KVA Code	G
Frame	444T	Enclosure	Explosion Proof Fan cooled
Thermal Protection	Thermostat	Ambient Temperature	40 °C
Drive End Bearing Size	6318	Opp Drive End Bearing Size	6316
UL	UL Listed; also, UL Certified for Canada	CSA	N
CE	N	IP Code	54
Hazardous Location	EXP PROOF CL I GR C&D CL II GR F&G T3B	Number of Speeds	1

Technical Specifications

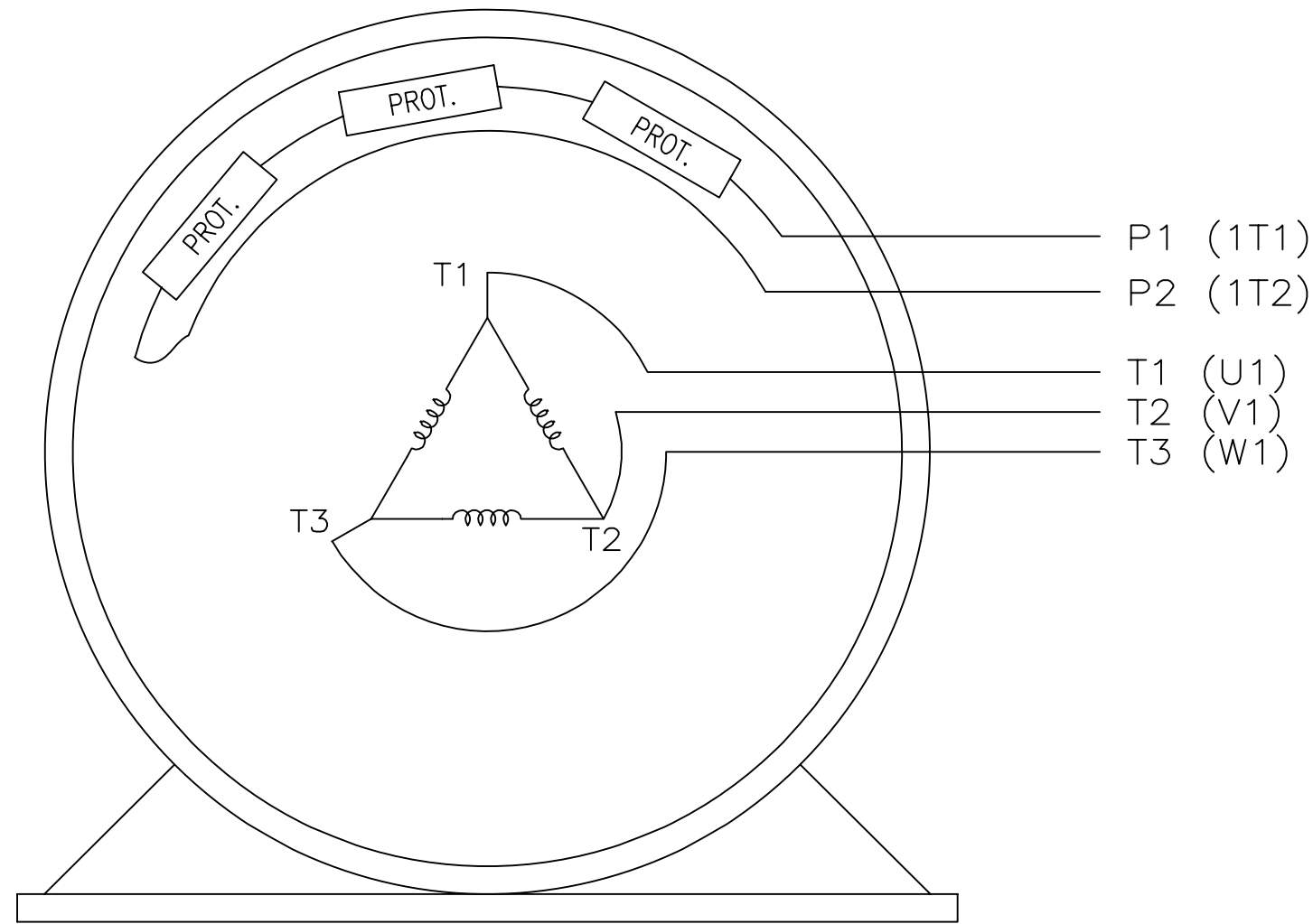
Electrical Type	Squirrel Cage Inverter Rated	Starting Method	Line Or Inverter
Poles	4	Rotation	Reversible
Resistance Main	.0385 Ohms	Mounting	Rigid Base
Motor Orientation	Horizontal	Drive End Bearing	Ball
Opp Drive End Bearing	Ball	Frame Material	Cast Iron
Shaft Type	T	Overall Length	41.35 in
Frame Length	18.25 in	Shaft Diameter	3.375 in
Shaft Extension	8.75 in	Assembly/Box Mounting	F1 ONLY
Inverter Load	CONSTANT 2:1		
Connection Drawing	A-EE7300S	Outline Drawing	B-SS515577-1825



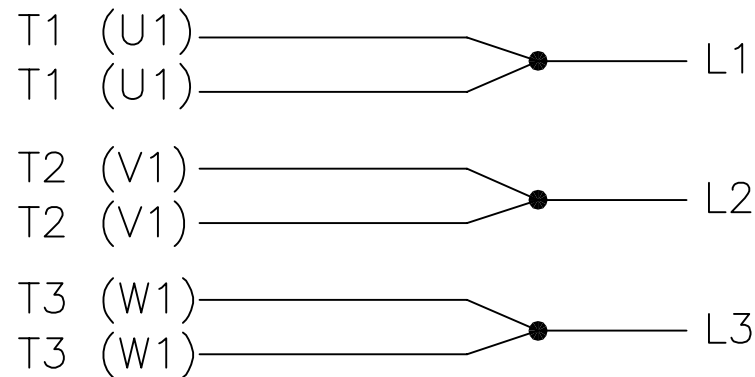
EE7300S

THREE PHASE – SINGLE VOLTAGE MOTOR

TO REVERSE ROTATION:
INTERCHANGE ANY TWO LINE
LEAD CONNECTIONS



IF MOTOR HAS MULTIPLE
T'S PER LEAD CONNECT
TOGETHER LIKE T'S



A-9806 DECAL

VIEW OF TERMINAL END

NO.	REVISION	BY & DATE	CHK	TOLERANCES UNLESS SPECIFIED			FINISH	DRAWN	PAGE	OF	REV.	
				DEC.	INCHES							
F	UPDATED TITLE BLOCK	HV 02-27-2014	EWB	.X	±	-		KL	12-15-1999			
3	REMOVED "N.C." FROM PROT.'S MU61770	JJB 08-02-2010		.XX	±	-		CHK	DJK 12-15-1999			
2	ADDED IEC MARKINGS MU61770	KL 09-16-2004	EAB	.XXX	±	-		APPD	DJK 12-15-1999			
1	NEW DRAWING	KL 12-16-1999		.XXXX	±	-				SCALE	1=1	
										REF		
										FMF		
										PREV		
THIS DRAWING IN DESIGN AND DETAIL IS OUR PROPERTY AND MUST NOT BE USED EXCEPT IN CONNECTION WITH OUR WORK ALL RIGHTS OF DESIGN AND INVENTION ARE RESERVED THIS IS AN ELECTRONICALLY GENERATED DOCUMENT – DO NOT SCALE THIS PRINT				RFP	CAD FILE ee7300s			SIZE	DRAWING NO.	PAGE	OF	REV.
				DIST	WA-LB-SB			A	EE7300S			F



CERTIFICATION DATA SHEET

Model#: 444TTGN16533 AA **WINDING#:** T444484 NONE 1
CONN. DIAGRAM: A-EE7300S **ASSEMBLY:** F1 ONLY
OUTLINE: B-SS515577-1825

TYPICAL MOTOR PERFORMANCE DATA

HP	KW	SYNC. RPM	F.L. RPM	FRAME	ENCLOSURE	KVA CODE	DESIGN
125	93	1800	1785	444T	EPFC	G	B

PH	Hz	VOLTS	FL AMPS	START TYPE	DUTY	INSL	S.F	AMB°C	ELEVATION
3	60	575	114	LINE OR INVERTER	CONTINUOU S	F1	1.15	40	3300

FULL LOAD EFF: 95.8	3/4 LOAD EFF: 95.8	1/2 LOAD EFF: 95.4	GTD. EFF	ELEC. TYPE	NO LOAD AMPS
FULL LOAD PF: 86	3/4 LOAD PF: 85	1/2 LOAD PF: 79	95.4	SQ CAGE INV RATED	32

F.L. TORQUE	LOCKED ROTOR AMPS	L.R. TORQUE	B.D. TORQUE	F.L. RISE°C
368 LB-FT	680	480 LB-FT 130	850 LB-FT 231	60

SOUND PRESSURE @ 3 FT.	SOUND POWER	ROTOR WK^2	MAX. WK^2	SAFE STALL TIME	STARTS /HOUR	APPROX. MOTOR WGT
75 dBA	85 dBA	47 LB-FT^2	- LB-FT^2	25 SEC.	2	1950 LBS.

***** SUPPLEMENTAL INFORMATION *****

DE BRACKET TYPE	ODE BRACKET TYPE	MOUNT TYPE	ORIENTATION	SEVERE DUTY	HAZARDOUS LOCATION	DRIP COVER	SCREENS	PAINT
STANDARD	STANDARD	RIGID	HORIZONTAL	PREMIUM SEVERE DUTY	EXP PROOF CL I GR C&D CL II GR F&G T3B	FALSE	NONE	BLUE (EPOXY)

BEARINGS		GREASE	SHAFT TYPE	SPECIAL DE	SPECIAL ODE	SHAFT MATERIAL	FRAME MATERIAL
DE	OPE						
BALL	BALL	POLYREX EM	T	NONE	NONE	1045 HOT ROLLED (C-204)	CAST IRON
6318	6316						

THERMO-PROTECTORS				THERMISTORS	CONTROL	SPACE /n HEATERS
THERMOSTATS	PROTECTORS	WDG RTDs	BRG RTDs			
TSTATS (N/C)	NOT	NONE	NONE	NONE	FALSE	NONE VOLTS

If Inverter equals NONE, contact factory for further information

INVERTER TORQUE: CONSTANT 2:1
INV. HP SPEED RANGE: 1.5 X BASE SPEED
ENCODER: NONE
NONE NONE
NONE NONE PPR
BRAKE: NONE NONE
NONE P/N NONE
NONE NONE
- FT-LB NONE V NONE Hz

*
N
O
T
E
S
*

DATE: 06/21/2017 04:38:41 AM
 FORM 3531 REV.3 02/07/99
 ** Subject to change without notice.

Data Sheet

Date: 29-06-2017
 Customer: _____
 Attention: _____
 Submitted by: FAREEDA DUDEKULA



444TTGN16533

Submittal

Data @ 575 V

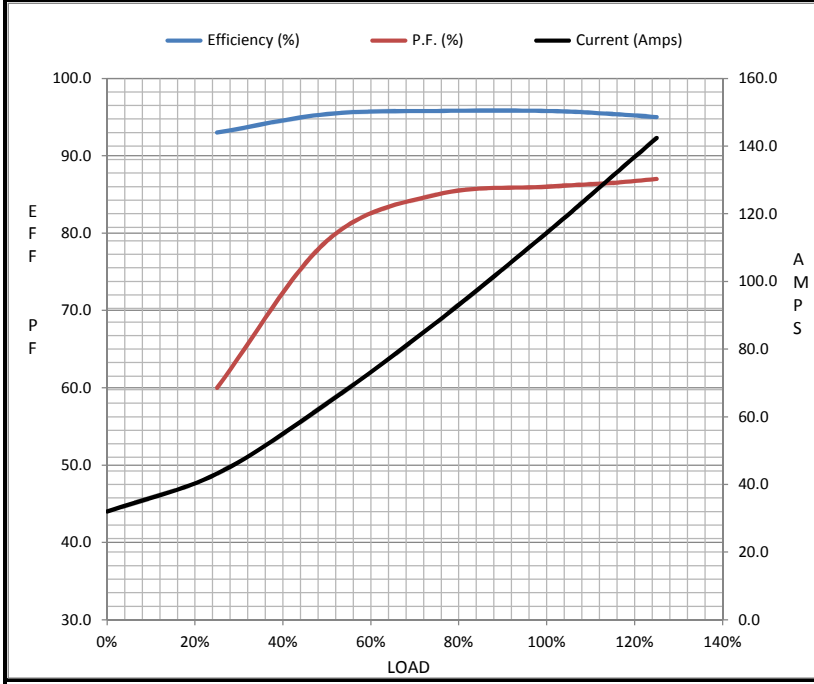
Motor Load Data

Load	0%	25%	50%	75%	100%	115%	125%	LR
Current (Amps)	32.0	43.2	64.0	88.0	114	131	142	680
Torque (ft-lb)	0.00	91.5	183	275	368	425	462	480
RPM	1800	1795	1792	1790	1785	1,780	1778	0
Efficiency (%)		93.0	95.4	95.8	95.8	95.4	95.0	
P.F. (%)	5.5	60.0	79.0	85.0	86.0	86.5	87.0	26.0

Motor Speed Data

	LR	Pull-Up	BD	Rated	Idle
Speed (RPM)	0	900	1725	1785	1800
Current (Amps)	680	600	460	114	32.0
Torque (ft-lb)	480	450	850	368	0.00

Information Block				
HP	125.0			
Sync. RPM	1800			
Frame	444			
Enclosure	TEFC			
Construction	TFN			
Voltage	575 V			
Frequency	60 Hz			
Design	B			
LR Code letter	G			
Service Factor	1.15			
Temp Rise @ FL	65 ° C			
Duty	CONT			
Ambient	40 ° C			
Elevation	1,000 feet			
Rotor/Shaft wk ²	47.0 Lb-Ft ²			
Ref Wdg	T444484 NONE			
Sound Pressure @ 1M	75 dBA			
VFD Rating	CONSTANT 2:1			
Outline Dwg	B-SS515577-1825			
Conn. Diag	A-EE7300S			
Additional Specifications:				
0				
365THFS8036				
EQUIV CKT (OHMS / PHASE)				
R1	R2	X1	X2	Xm
0.0440	0.0250	0.3550	0.3250	9.5060



Speed - Torque Curve

