

# PRODUCT INFORMATION PACKET

Model No: 145TTDR16308

Catalog No: U401A

General Purpose Motor, 3 HP, 3 Ph, 60 Hz, 230/460 V, 3600 RPM, 145TC Frame, DP



Regal and are trademarks of Regal Rexnord Corporation or one of its affiliated companies.  
©2022 Regal Rexnord Corporation, All Rights Reserved. MC017097E

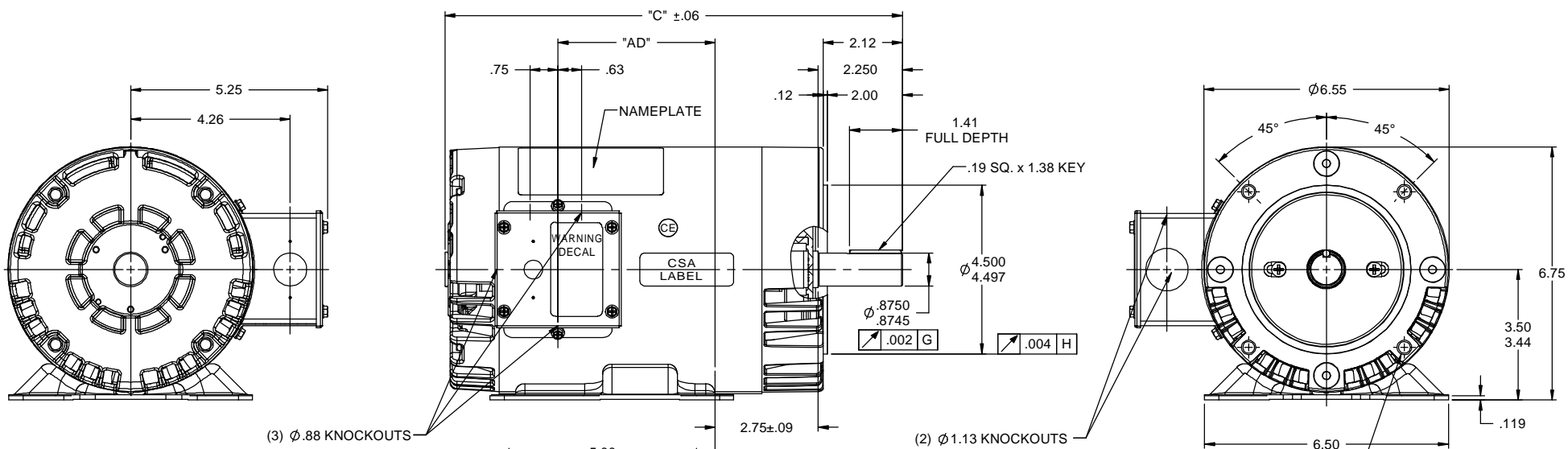
**Nameplate Specifications**

Output HP	<b>3 Hp</b>	Output KW	<b>2.2 kW</b>
Frequency	<b>60 Hz</b>	Voltage	<b>230/460 V</b>
Current	<b>7.2/3.6 A</b>	Speed	<b>3500 rpm</b>
Service Factor	<b>1.15</b>	Phase	<b>3</b>
Efficiency	<b>86.5 %</b>	Power Factor	<b>88</b>
Duty	<b>Continuous</b>	Insulation Class	<b>F</b>
Design Code	<b>B</b>	KVA Code	<b>K</b>
Frame	<b>145TC</b>	Enclosure	<b>Drip Proof</b>
Thermal Protection	<b>No Protection</b>	Ambient Temperature	<b>40 °C</b>
Drive End Bearing Size	<b>6205</b>	Opp Drive End Bearing Size	<b>6203</b>
UL	<b>Recognized</b>	CSA	<b>Y</b>
CE	<b>Y</b>	IP Code	<b>22</b>
Number of Speeds	<b>1</b>		

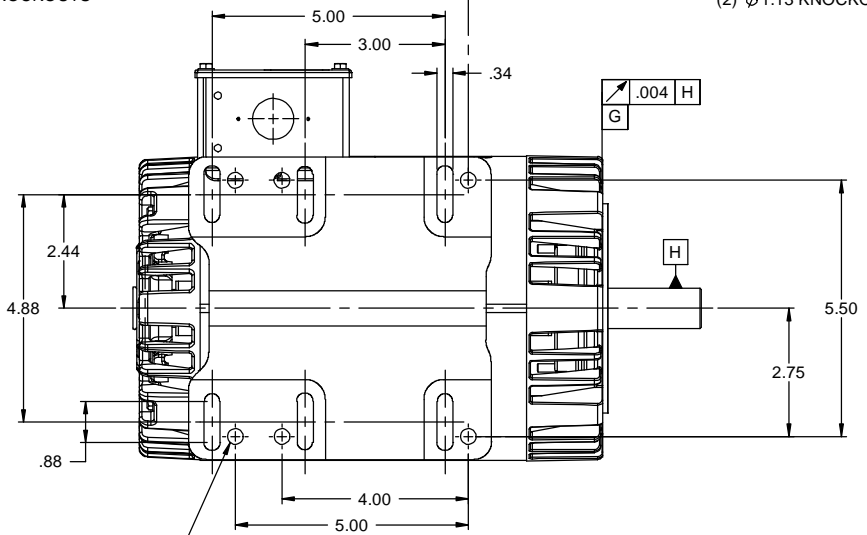
**Technical Specifications**

Electrical Type	<b>Squirrel Cage Inverter Rated</b>	Starting Method	<b>Line Or Inverter</b>
Poles	<b>2</b>	Rotation	<b>Reversible</b>
Resistance Main	<b>4.6 Ohms</b>	Mounting	<b>Rigid Base</b>
Motor Orientation	<b>Horizontal</b>	Drive End Bearing	<b>Ball</b>
Opp Drive End Bearing	<b>Ball</b>	Frame Material	<b>Rolled Steel</b>
Shaft Type	<b>T</b>	Overall Length	<b>12.69 in</b>
Frame Length	<b>7.50 in</b>	Shaft Diameter	<b>0.875 in</b>
Shaft Extension	<b>2.12 in</b>	Assembly/Box Mounting	<b>F1 ONLY</b>
Inverter Load	<b>CONSTANT 10:1</b>		
Outline Drawing	<b>028992ME-750</b>	Connection Drawing	<b>005010.01ME</b>



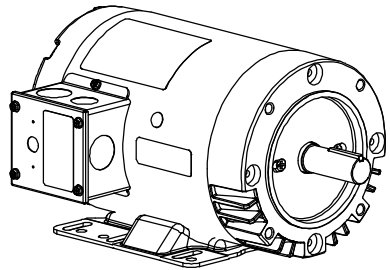


3/8-16 UNC - 2B x .56 DEEP  
(4) REQ'D. ON A Ø5.875 B.C.



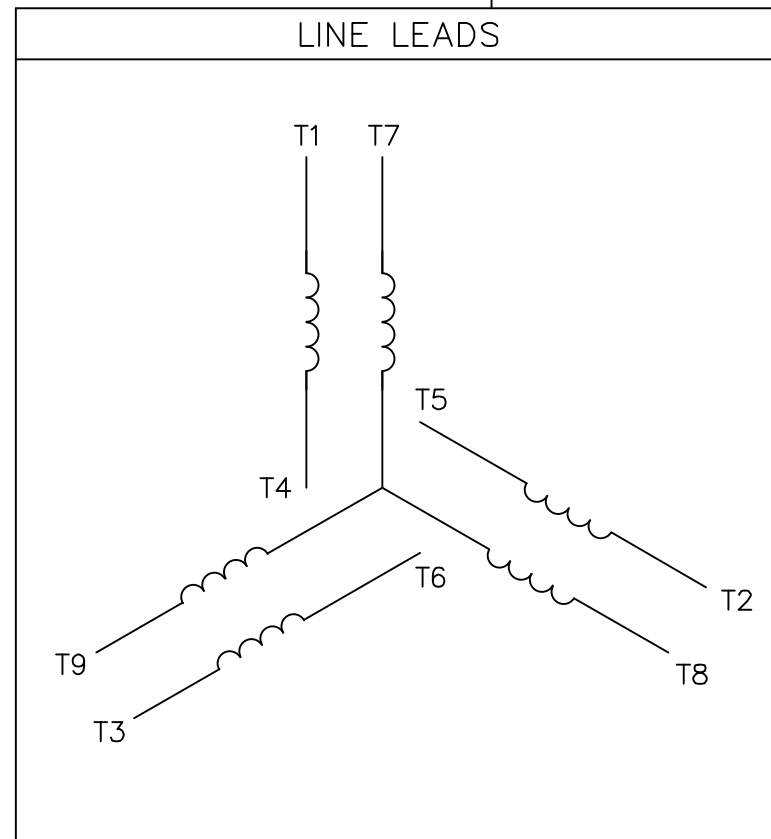
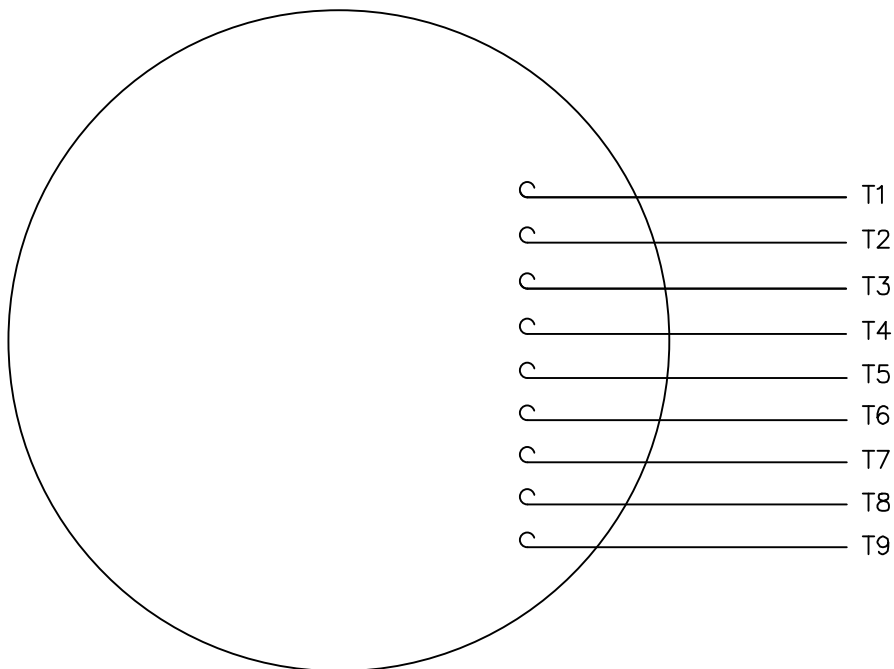
(6) Ø.34 HOLES

DASH NO.	"C"	"AD"
650	11.69	3.69
700	12.19	4.19
750	12.69	4.69
800	13.19	5.19
850	13.69	5.69
900	14.19	6.19




				TOLERANCES UNLESS SPECIFIED				DRAWN VS 9/12/2012	
				DEC	INCHES			CHK	
				X	±.1			APPR	
				XX	±.03	TITLE OUTLINE - 140TC/56HCZ FRAME OPEN DRIP PROOF - "C" FACE		SCALE 3:8	
				XXX	±.005			REF 028992	
				XXXX	±.0005	MATL		FMF 145TTDR16308	
NO	REVISION			BY & DATE	CHK	ANG	±1/2"	FINISH	PAGE OF
				THIRD ANGLE PROJECTION	RFP		PREV	SIZE	DRAWING NO
					NETWORK FILE NAME 028992ME		B	028992ME	
									REV

VIEW FROM OUTSIDE OF MOTOR AT SWITCH END.



VOLTAGE	L1	L2	L3	JOIN & INSULATE
HIGH	T1	T2	T3	(T4,T7) (T5,T8) (T6,T9)
LOW	T1,T7	T2,T8	T3,T9	T4,T5,T6

NO.	REVISION	BY & DATE	CHK	TOLERANCES UNLESS SPECIFIED		TITLE	DRAWN RDW 04/12/02		
				DEC.	INCHES				
				.X	±.1	 <b>MARATHON ELECTRIC</b> EXTERNAL WIRING DIAGRAM 3 PHASE W/O PROTECTOR	CHK		
				.XX	±.01		APPD		
				.XXX	±.005		SCALE 1=1		
				.XXXX	±.0005		REF FIG.2-51		
					±1/2"	MAT'L. DECAL - 004014	FMF		
						FINISH	PREV		
THIS DRAWING IN DESIGN AND DETAIL IS OUR PROPERTY AND MUST NOT BE USED EXCEPT IN CONNECTION WITH OUR WORK ALL RIGHTS OF DESIGN AND INVENTION ARE RESERVED THIS IS AN ELECTRONICALLY GENERATED DOCUMENT - DO NOT SCALE THIS PRINT				RFP	04/12/02	CAD FILE 00501001ME	SIZE A	DRAWING NO. 005010-01ME	REV.
				DIST					



**P.O. BOX 8003  
WAUSAU, WI 54401-8003  
PH. 715-675-3311**

**CERTIFICATION DATA SHEET**

**CUSTOMER:**  
**ORDER #:**  
**CONN. DIAGRAM:** 005010.01ME  
**OUTLINE:** 028992ME-750  
**WINDING #:** T632175 DR 3 D

**CUSTOMER PO#:**  
**MODEL #:** 145TTDR16308 AA  
**CUSTOMER PART #:**  
**MOUNTING:** F1 ONLY

**TYPICAL MOTOR PERFORMANCE DATA**

HP	kW	SYNC. RPM	F.L. RPM	FRAME	ENCLOSURE	KVA CODE	DESIGN
3&3	2.24&2.24	3600	3500&2890	145TC	DP	K	B

PH	Hz	VOLTS	AMPS	START TYPE	DUTY	INSL	S.F.	AMB°C
3	60/50	230/460&190/380	7.2/3.6&8.8/4.4	LINE OR INVERTER	CONTINUOUS	F4	1.15/1.15	40

FULL LOAD EFF:	86.5	3/4 LOAD EFF:	88.6	1/2 LOAD EFF:	87.4	GTD. EFF		ELEC. TYPE
FULL LOAD PF:	88	3/4 LOAD PF:	83	1/2 LOAD PF:	74.6	82.5		SQ CAGE INV RATED

F.L. TORQUE	LOCKED ROTOR AMPS	L.R. TORQUE	B.D. TORQUE	F.L. RISE°C
4.5 LB-FT	61.8 / 30.9	15.2 LB-FT 293 %	17.9 LB-FT 346 %	36

SOUND PRESSURE @ 3 FT.	SOUND POWER	ROTOR WK^2	MAX. WK^2	SAFE STALL TIME	STARTS / HOUR	APPROX. MOTOR WGT
65 dBA	75 dBA	0.084 LB-FT^2	0.1 LB-FT^2	10 SEC.	0	46 LBS.

**\*\*\* SUPPLEMENTAL INFORMATION \*\*\***

DE BRACKET TYPE	ODE BRACKET TYPE	MOUNT TYPE	ORIENTATION	SEVERE DUTY	HAZARDOUS LOCATION	DRIP COVER	SCREENS	PAINT
C-FACE	STANDARD	RIGID	HORIZONTAL	FALSE	NONE	FALSE	NONE	BLUE (ENAMEL)

BEARINGS		GREASE	SHAFT TYPE	SPECIAL DE	SPECIAL ODE	SHAFT MATERIAL	FRAME MATERIAL
DE	ODE						
BALL	BALL	POLYREX EM	T	NONE	NONE	1144 STRESSPROOF (C-223)	ROLLED STEEL
6205	6203						

THERMO-PROTECTORS				THERMISTORS	CONTROL	SPACE HEATERS
THERMOSTATS	PROTECTORS	WDG RTDs	BRG RTDs			
TSTATS (N/C)	NOT	NONE	NONE	NONE	FALSE	NONE VOLTS

\*  
N  
O  
T  
E  
S  
\*

<b>INVERTER TORQUE:</b> CONSTANT 10:1
<b>INV. HP SPEED RANGE:</b> NONE
<b>ENCODER:</b> NONE NONE NONE NONE NONE PPR
<b>BRAKE:</b> NONE NONE NONE P/N NONE NONE NONE NONE FT-LB NONE V NONE Hz

**PREPARED BY:** Dinesh  
Suddula **DATE:**  
02/12/2019 05:26:24 AM  
FORM 3531 REV.3 02/07/99  
\*\* Subject to change without  
notice.



**CERTIFICATION DATA SHEET**

**CUSTOMER:**  
**ORDER #:**  
**CONN. DIAGRAM:** 005010.01ME  
**OUTLINE:** 028992ME-750  
**WINDING #:** T632175 DR 3 D

**CUSTOMER PO#:**  
**MODEL #:** 145TTDR16308 AA  
**CUSTOMER PART #:**  
**MOUNTING:** F1 ONLY

**TYPICAL MOTOR PERFORMANCE DATA**

HP	kW	SYNC. RPM	F.L. RPM	FRAME	ENCLOSURE	KVA CODE	DESIGN
3&3	2.24&2.24	3600	3500&2890	145TC	DP	K	B

PH	Hz	VOLTS	AMPS	START TYPE	DUTY	INSL	S.F.	AMB°C
3	60/50	230/460&190/380	7.2/3.6&8.8/4.4	LINE OR INVERTER	CONTINUOUS	F4	1.15/1.15	40

FULL LOAD EFF:	86.5	3/4 LOAD EFF:	88.6	1/2 LOAD EFF:	87.4	GTD. EFF		ELEC. TYPE
FULL LOAD PF:	88	3/4 LOAD PF:	83	1/2 LOAD PF:	74.6	0		SQ CAGE INV RATED

F.L. TORQUE	LOCKED ROTOR AMPS	L.R. TORQUE	B.D. TORQUE	F.L. RISE°C
4.5 LB-FT	/	- LB-FT - %	- LB-FT - %	0

SOUND PRESSURE @ 3 FT.	SOUND POWER	ROTOR WK^2	MAX. WK^2	SAFE STALL TIME	STARTS / HOUR	APPROX. MOTOR WGT
0 dBA	10 dBA	0.084 LB-FT^2	0 LB-FT^2	0 SEC.	0	0 LBS.

**\*\*\* SUPPLEMENTAL INFORMATION \*\*\***

DE BRACKET TYPE	ODE BRACKET TYPE	MOUNT TYPE	ORIENTATION	SEVERE DUTY	HAZARDOUS LOCATION	DRIP COVER	SCREENS	PAINT
C-FACE	STANDARD	RIGID	HORIZONTAL	FALSE	NONE	FALSE	NONE	BLUE (ENAMEL)

BEARINGS		GREASE	SHAFT TYPE	SPECIAL DE	SPECIAL ODE	SHAFT MATERIAL	FRAME MATERIAL
DE	ODE						
BALL	BALL	POLYREX EM	T	NONE	NONE	1144 STRESSPROOF (C-223)	ROLLED STEEL
6205	6203						

THERMO-PROTECTORS				THERMISTORS	CONTROL	SPACE HEATERS
THERMOSTATS	PROTECTORS	WDG RTDs	BRG RTDs			
TSTATS (N/C)	NOT	NONE	NONE	NONE	FALSE	NONE VOLTS

\*  
N  
O  
T  
E  
S  
\*

<b>INVERTER TORQUE:</b> CONSTANT 10:1
<b>INV. HP SPEED RANGE:</b> NONE
<b>ENCODER:</b> NONE NONE NONE NONE NONE PPR
<b>BRAKE:</b> NONE NONE NONE P/N NONE NONE NONE NONE FT-LB NONE V NONE Hz

**PREPARED BY:** Dinesh  
 Suddula **DATE:**  
 02/12/2019 05:26:24 AM  
 FORM 3531 REV.3 02/07/99  
 \*\* Subject to change without notice.

## EC Declaration of Conformity

The undersigned representing  
the manufacturer:

Regal Beloit America  
100 East Randolph St.  
Wausau, WI 54401

and the authorized representative  
established within the Community:

Marathon Electric UK  
6F Thistleton Road Ind. Estate  
Market Overton  
Oakham, Rutland LE15 7PP UK

are committed to providing customers with products that comply with applicable regulations and international protocols to which they are subject, including the requirements of the European Parliament Directive on the Harmonization of the laws relating to electrical equipment designed for use within certain voltage limits (2014/35/EU).

Regal Beloit America declares that the following product(s), to which this declaration relates, are in conformity with the relevant sections of the EC standards listed below.

This statement supersedes any statements previously issued pertaining to the product(s) listed below and is subject to change without notice.

Model No : 145TTDR16308

(Model No. may contain prefix and/or suffix characters)

Catalog No : U401A

Rework No : N/A

Directives :

Low Voltage Directive 2014/35/EU

Harmonized Standards Used :

EN 60034-1: 2010 (IEC 60034-1: 2010)

EN 60034-5: 2001/A1:2007 (IEC 60034-5: 2000/A1:2006)

Authorized Representative:



Michael A. Logsdon  
Vice President, Technology

Authorized Representative in the Community:



Julian Clark  
Marketing Engineer

Created on 09/01/2022

**CE 22**