

PRODUCT INFORMATION PACKET

Model No: 143TTDR6051

Catalog No: U418A

General Purpose Motor, 1 HP, 3 Ph, 60 Hz, 230/460 V, 1800 RPM, 143T Frame, DP



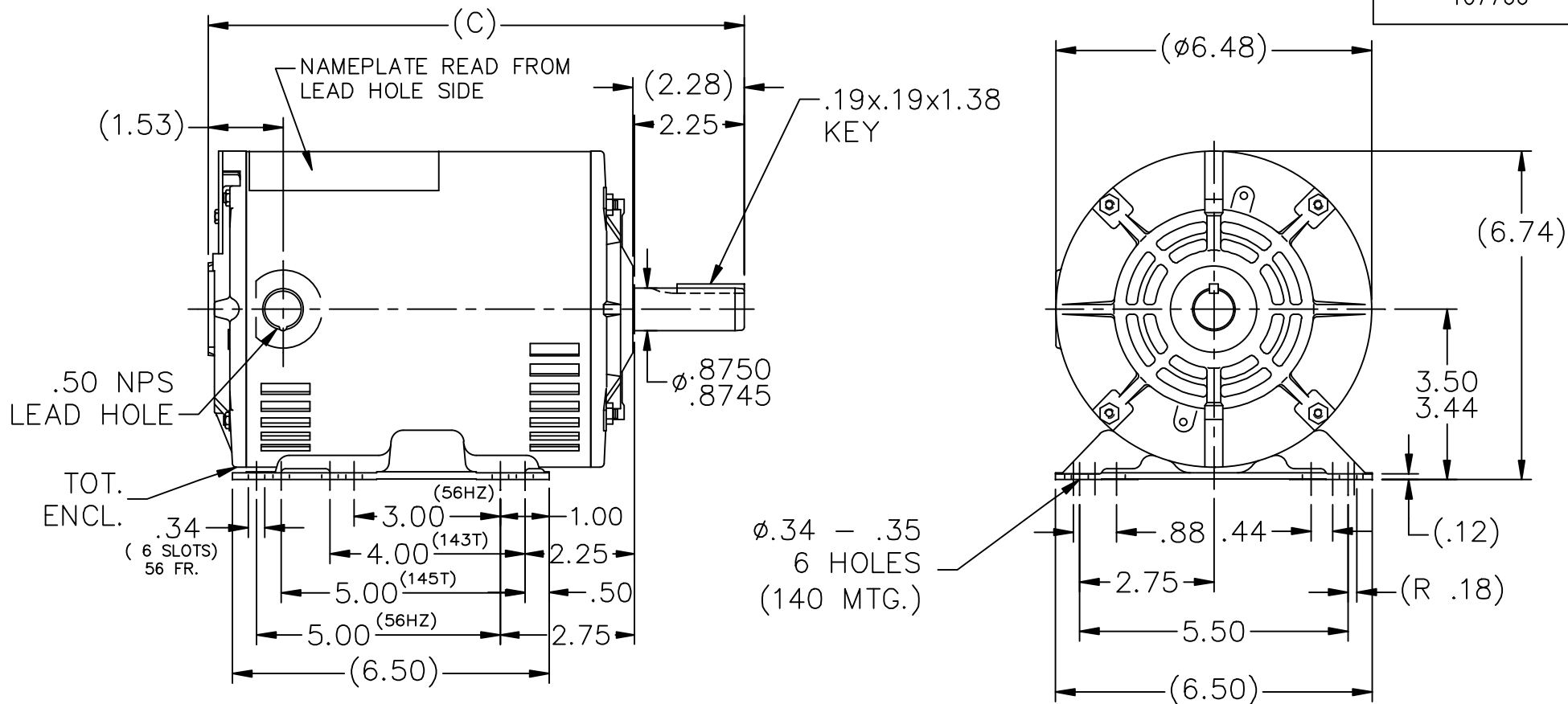
Regal and are trademarks of Regal Rexnord Corporation or one of its affiliated companies.
©2022 Regal Rexnord Corporation, All Rights Reserved. MC017097E

Nameplate Specifications

| | | | |
|------------------------|-------------------|----------------------------|-------------------|
| Output HP | 1 Hp | Output KW | 0.75 kW |
| Frequency | 60 Hz | Voltage | 230/460 V |
| Current | 3.0/1.5 A | Speed | 1760 rpm |
| Service Factor | 1.15 | Phase | 3 |
| Efficiency | 85.5 % | Power Factor | 71 |
| Duty | Continuous | Insulation Class | F |
| Design Code | B | KVA Code | N |
| Frame | 143T | Enclosure | Drip Proof |
| Thermal Protection | Automatic | Ambient Temperature | 40 °C |
| Drive End Bearing Size | 6205 | Opp Drive End Bearing Size | 6203 |
| UL | Recognized | CSA | Y |
| CE | Y | IP Code | 22 |
| Number of Speeds | 1 | | |

Technical Specifications

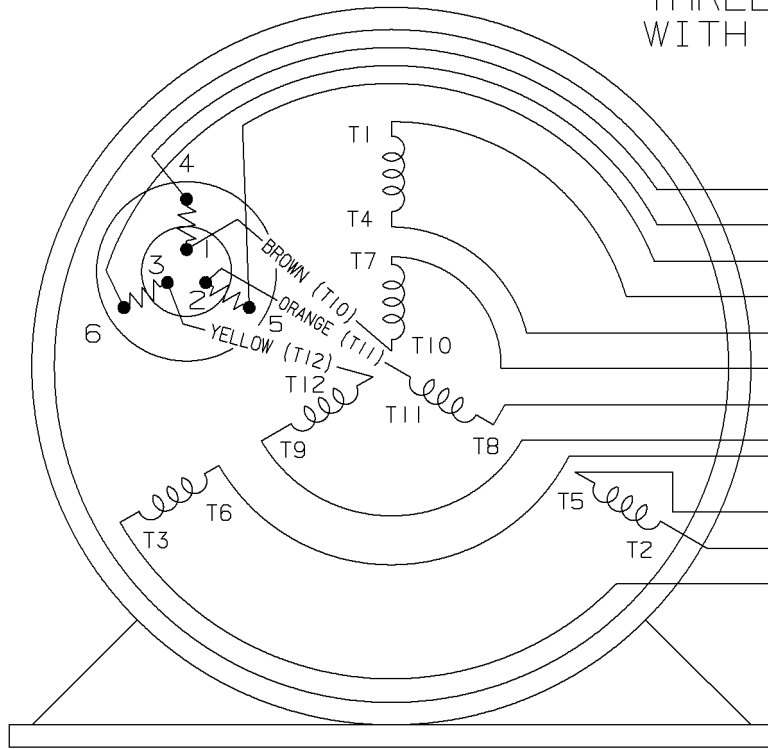
| | | | |
|-----------------------|------------------------------------|-----------------------|------------------------|
| Electrical Type | Squirrel Cage Induction Run | Starting Method | Across The Line |
| Poles | 4 | Rotation | Reversible |
| Resistance Main | 13.6 Ohms | Mounting | Rigid Base |
| Motor Orientation | Horizontal | Drive End Bearing | Ball |
| Opp Drive End Bearing | Ball | Frame Material | Rolled Steel |
| Shaft Type | T | Overall Length | 12.99 in |
| Frame Length | 9.06 in | Shaft Diameter | 0.875 in |
| Shaft Extension | 2.28 in | Assembly/Box Mounting | F1 ONLY |
| Outline Drawing | A-107766-906 | Connection Drawing | A-102007-1 |



| DASH | FR. | C | DASH | FR. | C |
|------|-----------|-------|------|-----------|-------|
| 706 | 140T/56HZ | 10.99 | 906 | 140T/56HZ | 12.99 |
| 756 | 140T/56HZ | 11.49 | 956 | 140T/56HZ | 13.49 |
| 806 | 140T/56HZ | 11.99 | 1006 | 140T/56HZ | 13.99 |
| 856 | 140T/56HZ | 12.49 | | | |

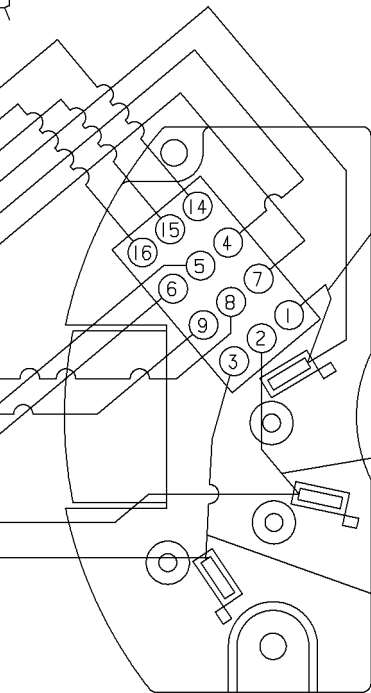
| | | | | TOLERANCES UNLESS SPECIFIED | | | | DRAWN PN 11/11/2011 | | | | |
|--|----------|--|--|-----------------------------|--------|--|--------|---------------------|--------|--------------------|---------|------|
| | | | | DEC. | INCHES | | | CHK SVL 11/11/2011 | | | | |
| | | | | .X | ±.1 | TITLE OUTLINE 140 & 56HZ - DR.PR. - TS - BB | | APPD | | | | |
| | | | | .XX | ±.03 | | | SCALE 5=16 | | | | |
| | | | | .XXX | ±.005 | | | REF 100165 | | | | |
| | | | | .XXXX | ±.0005 | | | FMF | | | | |
| NO. | REVISION | | | BY & DATE | CHK | ANG | ±7'30" | FINISH | PREV | | | |
| THIS DRAWING IN DESIGN AND DETAIL IS OUR PROPERTY AND MUST NOT BE USED EXCEPT IN CONNECTION WITH OUR WORK ALL RIGHTS OF DESIGN AND INVENTION ARE RESERVED THIS IS AN ELECTRONICALLY GENERATED DOCUMENT - DO NOT SCALE THIS PRINT | | | | | RFP | CAD FILE 107766 | | | SIZE A | DRAWING NO. 107766 | PAGE OF | REV. |
| | | | | | DIST | WP | | | | | | |

THREE PHASE-DUAL VOLTAGE WITH THERMAL PROTECTOR



VIEW OF TERMINAL END

- (T14) BROWN
- (T16) YELLOW
- (T15) ORANGE
- (T1) RED
- T4
- T7
- T8
- T9
- T6
- T5
- (T2) BLUE
- (T3) BLACK

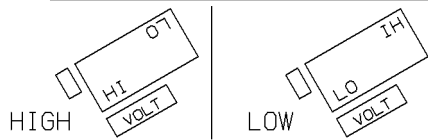


VIEWING BOTTOM OF TERMINAL BOARD

RED
 NUMBERS SHOWN ON TERM BOARD ARE FOR REF. ONLY.
 (NUMBERS DO NOT APPEAR ON PARTS.)

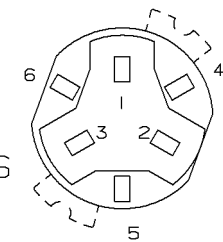
BLUE
 BLACK

TO CHANGE VOLTAGE, PULL PLUG, ROTATE 180° AND REINSERT



CONNECT LINES TO L1, L2 & L3

NOTE:
 ACTUAL PROTECTORS TERMINAL LOCATIONS FOR LEAD CONNECTIONS



| | | | | | | | | |
|-----|------------|--|------|---|---|--|--|------------------------|
| 4 | 06-26-1995 | 1,2,3 WERE SWITCHED WITH 4,5,6 ON THE TERMINAL CN 20644 | BR | ✓ MAX. SURFACE ROUGHNESS UNLESS NOTED OTHERWISE | UNLESS OTHERWISE SPECIFIED DIMENSIONS ARE IN INCHES TOL. ON XX±.02 XXX±.005 XXXX±.0005 ANGLES± 7°30" | | | |
| 3 | 05-18-1994 | ADDED ACTUAL PROTECTOR VIEW CN 17481 | KL | MATL SPEC | | | | DRAWN BY RM 07-20-1993 |
| 2 | 07-20-1993 | REDRAWN ON CADD, ORIGINAL LOST. REV. VCD TO COLORED LEADS CNI3741 | RM | FINISH | | | | CHKD BY ET 07-20-1993 |
| REV | DATE | CHANGE | NAME | REFERENCE DRW. | WAUSAU, WISCONSIN 54401 | | | |
| | | | | PART NAME CONNECTION DIAGRAM 3Ø - DUAL VOLTAGE MOTOR | DRWG NO A- 102007-1 | | | |

SHOP BOOK

PURCHASED

DISTRIBUTION - WA - LB - WP - LM - BR

CADD FILE NO.

102007-1

CERTIFICATION DATA SHEET

Model#: 143TTDR6051 AA
CONN. DIAGRAM: A-102007-1
OUTLINE: A-107766-906

WINDING#: ZT4259 NONE 3
ASSEMBLY: F1 ONLY

TYPICAL MOTOR PERFORMANCE DATA

| HP | KW | SYNC. RPM | F.L. RPM | FRAME | ENCLOSURE | KVA CODE | DESIGN |
|-------|---------|-----------|-----------|-------|-----------|----------|--------|
| 1&3/4 | .75&.56 | 1800 | 1760&1460 | 143T | DP | N | B |

| PH | Hz | VOLTS | FL AMPS | START TYPE | DUTY | INSL | S.F | AMB°C | ELEVATION |
|----|-------|---------------------|-------------|--------------------|----------------|------|-----------|-------|-----------|
| 3 | 60/50 | 230/460#190/ 380 | 3/1.5&3/1.5 | ACROSS THE LINE | CONTINUOU S | F3 | 1.15/1.15 | 40 | 3300 |

| FULL LOAD EFF: 85.5&85.3 | 3/4 LOAD EFF: 84.6 | 1/2 LOAD EFF: 81.3 | GTD. EFF | ELEC. TYPE | NO LOAD AMPS |
|-----------------------------|--------------------|--------------------|----------|-----------------|--------------|
| FULL LOAD PF: 71&69.3 | 3/4 LOAD PF: 62.6 | 1/2 LOAD PF: 49.8 | 82.5 | SQ CAGE IND RUN | 2 / 1 |

| F.L. TORQUE | LOCKED ROTOR AMPS | L.R. TORQUE | B.D. TORQUE | F.L. RISE°C |
|-------------|-------------------|----------------|----------------|-------------|
| 3 LB-FT | 29 / 14.5 | 11.2 LB-FT 373 | 15.4 LB-FT 513 | 21 |

| SOUND PRESSURE @ 3 FT. | SOUND POWER | ROTOR WK^2 | MAX. WK^2 | SAFE STALL TIME | STARTS /HOUR | APPROX. MOTOR WGT |
|---------------------------|-------------|---------------|------------|-----------------|-----------------|----------------------|
| 56 dBA | 66 dBA | 0.117 LB-FT^2 | 10 LB-FT^2 | 20 SEC. | 2 | 0 LBS. |

***** SUPPLEMENTAL INFORMATION *****

| DE BRACKET TYPE | ODE BRACKET TYPE | MOUNT TYPE | ORIENTATION | SEVERE DUTY | HAZARDOUS LOCATION | DRIP COVER | SCREENS | PAINT |
|--------------------|---------------------|---------------|-------------|----------------|-----------------------|---------------|---------|------------------|
| STANDARD | STANDARD | RIGID | HORIZONTAL | FALSE | NONE | FALSE | NONE | BLUE (POWDER) |

| BEARINGS | | GREASE | SHAFT TYPE | SPECIAL DE | SPECIAL ODE | SHAFT MATERIAL | FRAME MATERIAL |
|----------|------|------------|------------|------------|-------------|--------------------------------|-------------------|
| DE | OPE | | | | | | |
| BALL | BALL | POLYREX EM | T | NONE | NONE | 1144 STRESSPROOF (C-223) | ROLLED STEEL |
| 6205 | 6203 | | | | | | |

| THERMO-PROTECTORS | | | | THERMISTORS | CONTROL | SPACE /n HEATERS |
|-------------------|------------|----------|----------|-------------|---------|------------------|
| THERMOSTATS | PROTECTORS | WDG RTDs | BRG RTDs | | | |
| NONE | AUTOMATIC | NONE | NONE | NONE | FALSE | NONE VOLTS |

If Inverter equals NONE, contact factory for further information

| |
|---------------------------|
| INVERTER TORQUE: NONE |
| INV. HP SPEED RANGE: NONE |
| ENCODER: NONE |
| NONE NONE |
| NONE NONE PPR |
| BRAKE: NONE NONE |
| NONE P/N NONE |
| NONE NONE |
| NONE FT-LB NONE V NONE Hz |

*
N
O
T
E
S
*

DATE: 06/22/2017 07:44:41 AM

FORM 3531 REV.3 02/07/99

** Subject to change without notice.

Data Sheet

Date: 6/20/2017

Customer: _____

Attention: _____

Submitted by: FAREEDA DUDEKULA



143TTDR6051

Submittal

Data @ 460 V

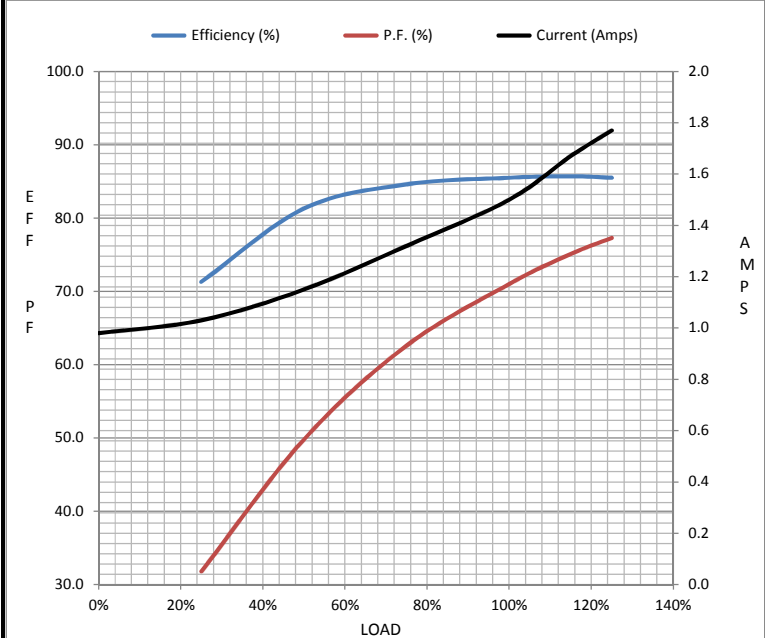
Motor Load Data

| Load | 0% | 25% | 50% | 75% | 100% | 115% | 125% | LR |
|----------------|------|------|------|------|------|-------|------|------|
| Current (Amps) | 0.98 | 1.03 | 1.15 | 1.32 | 1.50 | 1.67 | 1.77 | 14.5 |
| Torque (ft-lb) | 0.00 | 0.73 | 1.47 | 2.22 | 3.0 | 3.4 | 3.7 | 11.2 |
| RPM | 1800 | 1790 | 1781 | 1772 | 1760 | 1,755 | 1751 | 0 |
| Efficiency (%) | | 71.3 | 81.3 | 84.6 | 85.5 | 85.7 | 85.5 | |
| P.F. (%) | 11.1 | 31.8 | 49.8 | 62.6 | 71.0 | 75.1 | 77.3 | 73.4 |

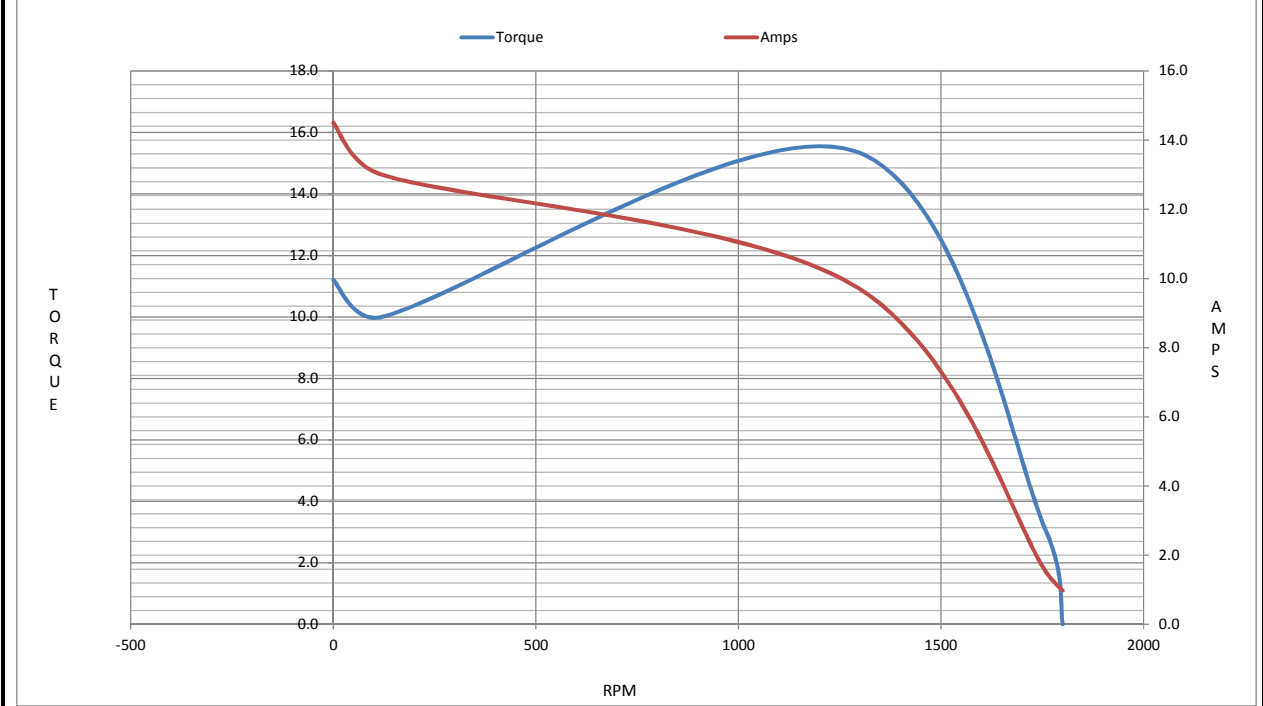
Motor Speed Data

| | LR | Pull-Up | BD | Rated | Idle |
|----------------|------|---------|------|-------|------|
| Speed (RPM) | 0 | 120 | 1285 | 1760 | 1800 |
| Current (Amps) | 14.5 | 13.0 | 9.8 | 1.50 | 0.98 |
| Torque (ft-lb) | 11.2 | 10.0 | 15.4 | 3.0 | 0.00 |

| Information Block | | | | |
|-----------------------------|-------------------------|--------|--------|--------|
| HP | 1.0 | | | |
| Sync. RPM | 1800 | | | |
| Frame | 143 | | | |
| Enclosure | DP | | | |
| Construction | TDR | | | |
| Voltage | 30/460#190/381V | | | |
| Frequency | 60 Hz | | | |
| Design | A | | | |
| LR Code letter | N | | | |
| Service Factor | 1.15 | | | |
| Temp Rise @ FL | 21 °C | | | |
| Duty | CONT | | | |
| Ambient | 40 °C | | | |
| Elevation | 1,000 feet | | | |
| Rotor/Shaft wk ² | 0.12 Lb-Ft ² | | | |
| Ref Wdg | ZT4259 NONE | | | |
| Sound Pressure @ 1M | 56 dBA | | | |
| VFD Rating | NONE | | | |
| Outline Dwg | A-107766-906 | | | |
| Conn. Diag | A-102007-1 | | | |
| Additional Specifications: | | | | |
| 0 | | | | |
| 0 | | | | |
| EQUIV CKT (OHMS / PHASE) | | | | |
| R1 | R2 | X1 | X2 | Xm |
| 0.0000 | 0.0000 | 0.0000 | 0.0000 | 0.0000 |



Speed - Torque Curve



EC Declaration of Conformity

The undersigned representing
the manufacturer:

Regal Beloit America
100 East Randolph St.
Wausau, WI 54401

and the authorized representative
established within the Community:

Marathon Electric UK
6F Thistleton Road Ind. Estate
Market Overton
Oakham, Rutland LE15 7PP UK

are committed to providing customers with products that comply with applicable regulations and international protocols to which they are subject, including the requirements of the European Parliament Directive on the Harmonization of the laws relating to electrical equipment designed for use within certain voltage limits (2014/35/EU).

Regal Beloit America declares that the following product(s), to which this declaration relates, are in conformity with the relevant sections of the EC standards listed below.

This statement supersedes any statements previously issued pertaining to the product(s) listed below and is subject to change without notice.

Model No : 143TTDR6051

(Model No. may contain prefix and/or suffix characters)

Catalog No : U418A

Rework No : N/A

Directives :

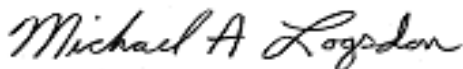
Low Voltage Directive 2014/35/EU

Harmonized Standards Used :

EN 60034-1: 2010 (IEC 60034-1: 2010)

EN 60034-5: 2001/A1:2007 (IEC 60034-5: 2000/A1:2006)

Authorized Representative:



Michael A. Logsdon
Vice President, Technology

Authorized Representative in the Community:



Julian Clark
Marketing Engineer

Created on 09/01/2022

CE 22