

PRODUCT INFORMATION PACKET

Model No: 213TTDWD16060

Catalog No: U430B

General Purpose Motor, 7.50 HP, 3 Ph, 60 Hz, 230/460 V, 1800 RPM, 213T Frame, DP



Regal and are trademarks of Regal Rexnord Corporation or one of its affiliated companies.
©2022 Regal Rexnord Corporation, All Rights Reserved. MC017097E

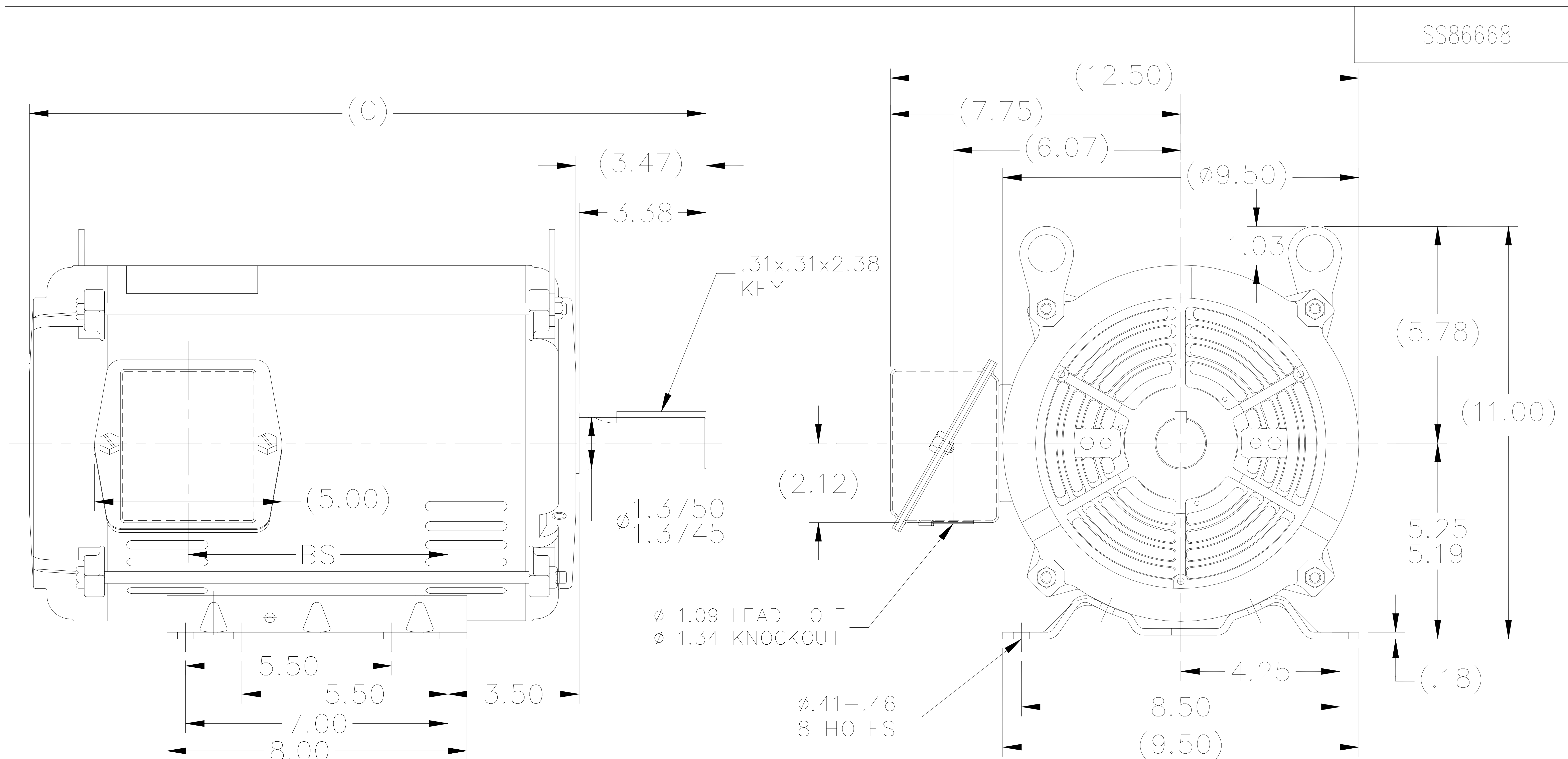
Nameplate Specifications

Output HP	7.50 Hp	Output KW	5.6 kW
Frequency	60 Hz	Voltage	230/460 V
Current	20.0/10.0 A	Speed	1765 rpm
Service Factor	1.15	Phase	3
Efficiency	91 %	Power Factor	77.1
Duty	Continuous	Insulation Class	F
Design Code	B	KVA Code	H
Frame	213T	Enclosure	Drip Proof
Thermal Protection	Automatic	Ambient Temperature	40 °C
Drive End Bearing Size	6307	Opp Drive End Bearing Size	6206
UL	Recognized	CSA	Y
CE	Y	IP Code	12
Number of Speeds	1		

Technical Specifications

Electrical Type	Squirrel Cage Induction Run	Starting Method	Across The Line
Poles	4	Rotation	Reversible
Resistance Main	1.56 Ohms	Mounting	Rigid Base
Motor Orientation	Horizontal	Drive End Bearing	Ball
Opp Drive End Bearing	Ball	Frame Material	Rolled Steel
Shaft Type	T	Overall Length	18.04 in
Frame Length	11.15 in	Shaft Diameter	1.375 in
Shaft Extension	3.38 in	Assembly/Box Mounting	F1/F2 CAPABLE
Connection Drawing	EE7335	Outline Drawing	SS86668-1115

SS86668



DASH	FR.	C	BS	MOUNTING
965	213T	16.54	5.43	
1115	213/15T	18.04	6.93	
1240	213/15T	19.29	8.18	F1 ONLY
1545	215T	22.34	11.23	F1 ONLY

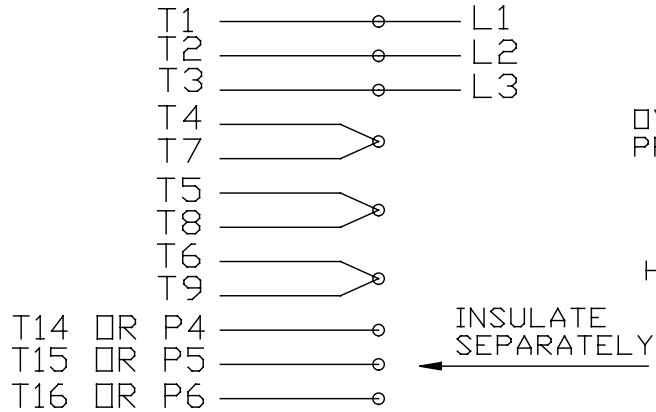
- NOTES:
1. NAMEPLATE TO BE READ FROM C'BOX SIDE OF MOTOR.
 2. BOX CAN BE MOUNTED IN 90° STEPS.
 3. BOX CAN BE MOUNTED ON OPPOSITE SIDE BY REMOVING BRACKETS AND TURNING FRAME 180°. (EXCEPT AS NOTED.)

06-22-2004

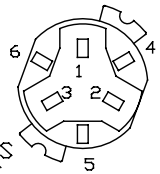
			TOLERANCES UNLESS SPECIFIED		REGAL ™ Regal Beloit America, Inc.	DRAWN MRB 04-03-1997				
			DEC.	INCHES		CHK	ML	04-04-1997		
			.X	±.1		APPD	GK	04-04-1997		
3	TITLE BLOCK CHANGE PER ECO-0078542	MDV 06/09/2015	.XX	±.03	TITLE OUTLINE	SCALE	1=4			
2	UPDATED C'BOX GEOMETRY CN 28425	BJW 03-24-2000	.XXX	±.005	210T FR. - BB - TS - DR.PR.	REF				
1	NEW DRAWING	MRB 04-04-1997	.XXXX	±.0005	MAT'L.	FMF				
NO.	REVISION	BY & DATE	CHK	ANG	FINISH	PREV				
THIS DRAWING IN DESIGN AND DETAIL IS OUR PROPERTY AND MUST NOT BE USED EXCEPT IN CONNECTION WITH OUR WORK ALL RIGHTS OF DESIGN AND INVENTION ARE RESERVED THIS IS AN ELECTRONICALLY GENERATED DOCUMENT - DO NOT SCALE THIS PRINT			RFP	CAD FILE SS86668		SIZE	DRAWING NO.	PAGE	OF	REV.
			DIST	LB	A	SS86668			3	

EE7335

HIGH VOLTAGE CONNECTIONS



THREE PHASE - DUAL VOLTAGE MOTOR WITH OVERLOAD PROTECTOR

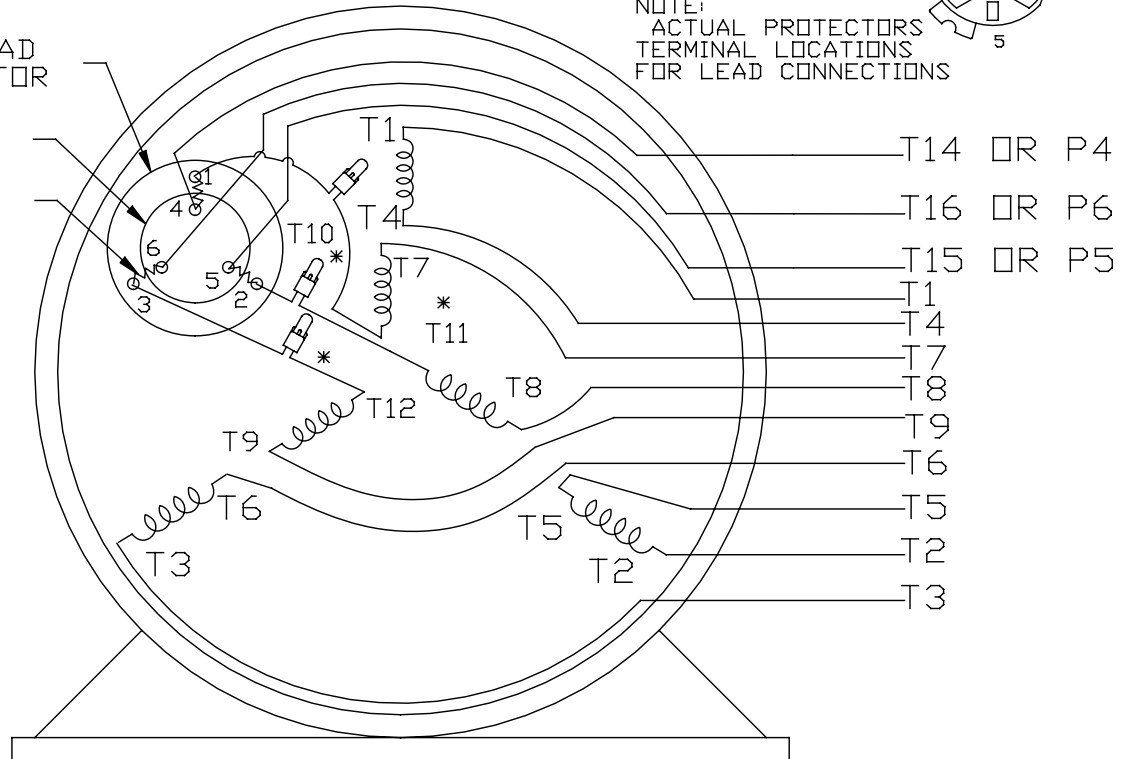


NOTE:
ACTUAL PROTECTORS
TERMINAL LOCATIONS
FOR LEAD CONNECTIONS

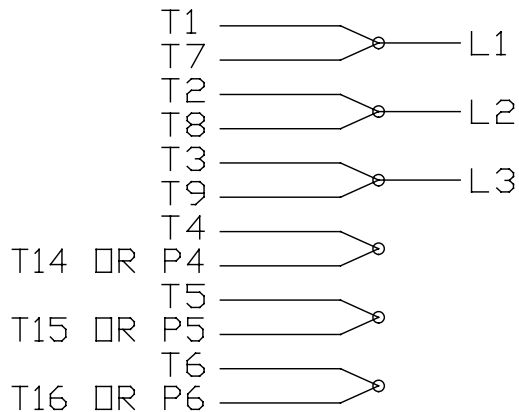
OVERLOAD PROTECTOR

DISC

HEATER



LOW VOLTAGE CONNECTIONS



VIEW OF TERMINAL END

* USE PRESSURE CONNECTORS FOR MT2 PLANT ONLY

T2K
T4D
T6AN

NO.	REVISION	BY & DATE	CHK	TOLERANCES UNLESS SPECIFIED		FINISH	DRAWN	SCALE	REV.
				DEC.	INCHES				
17	CHANGED LOGO FROM MARATHON TO REGAL	KIR 02/16/16	AB	DEC.	INCHES	Regal Beloit America, Inc.	KL	08-09-1993	
16	PRESSURE CONNECTORS QUANTITY WAS 6	PVR 10/29/13	GR	.X	±.1		CHK	ML	08/10/1993
15	PRESSURE CONNECTORS ADDED	GR 03/04/13	SR	.XX	±.01	TITLE			
14	ADDED ACTUAL PROECTOR VIEW CN 17481	KL 05/18/94		.XXX	±.005	CONNECTION DIAGRAM			
13	REDRAWN IN AUTO CAD	KL 08/11/93		.XXXX	±.0005	3Ø-DUAL VOLT WITH OVERLOAD PROTECTO			
						MAT'L.			
						FINISH			
						CAD FILE	EE7335	SIZE	DRAWING NO.
								A	EE7335
									17

THIS DRAWING IN DESIGN AND DETAIL IS OUR PROPERTY AND MUST NOT BE USED EXCEPT IN CONNECTION WITH OUR WORK ALL RIGHTS OF DESIGN AND INVENTION ARE RESERVED THIS IS AN ELECTRONICALLY GENERATED DOCUMENT - DO NOT SCALE THIS PRINT



P.O. BOX 8003
WAUSAU, WI 54401-8003
PH. 715-675-3311

DATA VOLTS: 460

CERTIFICATION DATA SHEET

CUSTOMER: _____ CUSTOMER P.O. #: _____
 ORDER #: _____ REFERENCE MODEL #: 213TTDWD16060
 CONN. DIAGRAM: 005020.04 CAT #: U430B
 OUTLINE: TBD CUSTOMER PART #: _____
 WINDING: K2134278 NONE 2 MOUNTING: F1/F2 CAPABLE
 SPEED: _____

TYPICAL MOTOR PERFORMANCE DATA

HP	KW	SYNC RPM	FL RPM	FRAME	ENCLOSURE	TYPE	KVA CODE	DESIGN
7.5	5.6	1800	1765	213T	DP	TDW	H	B

PH	HZ	VOLTS	AMPS	START TYPE	DUTY	INSL	S.F.	AMB	ELEV.
3	60/50	230/460#190/380	20/10&16.4/8.2	ACROSS THE LINE	CONT	F	1.15	40	3300

F.L. EFF	91.0	3/4 LD EFF	91.0	1/2 LD EFF	89.9	GTD EFF	ELECT. TYPE
F.L. PF	77.1	3/4 LD PF	71.3	1/2 LD PF	58.1	89.5	SQ CAGE IND RUN

F.L. TORQUE	LR AMPS @ 460 V	L.R. TORQUE	B.D. TORQUE	F.L. RISE (°C)
22.3 LB-FT	61.0	45.3 LB-FT 203%	66.1 LB-FT 296%	35

@ 3 FT.	POWER	ROTOR WK ²	MAX. LOAD WK ²	SAFE STALL TIME	STARTS/HOUR	MOTOR WGT
66 dBA	75 dBA	0.85 LB-FT ²	50 LB-FT ²	20 SEC.	2	125 LB.

***** SUPPLEMENTAL INFORMATION *****

DE BRACKET TYPE	ODE BRACKET TYPE	MOUNT TYPE	MOTOR ORIENTATION	SEVERE DUTY	HAZARDOUS LOCATION	DRIP COVER	SCREENS	PAINT
STANDARD	STANDARD	RIGID	HORIZONTAL	NO	NONE	NO	NONE	BLUE (ENAMEL)

BEARINGS		GREASE	SHAFT TYPE	SPECIAL DE	SPECIAL ODE	SHAFT MATERIAL	FRAME MATERIAL
DE	ODE	POLYREX EM	T	NONE	NONE	AISI 1045 (C-240)	ROLLED STEEL
BALL	BALL						
6307	6206						

THERMOSTATS	PROTECTORS	WDG RTD's	BRG RTD's	THERMISTORS	CONTROL	SPACE HEATERS
NONE	AUTOMATIC	NONE	NONE	NONE	FALSE	NA

R1 (ohms/ph)	R2 (ohms/ph)	X1 (ohms/ph)	X2 (ohms/ph)	Xm (ohms/ph)	VIBRATION (in/sec)	FLOAT
0.76	0.559	2.608	3.697	57.456	0.150	ODE

* N O T E S *	INVERTER TORQUE: NONE INV. HP SPEED RANGE: NONE					
	ENCODER: NONE NONE NONE					
	BRAKE: NONE NONE NONE					
	FT-LB: NA VOLTAGE: NONE HZ:					
	UL: Q-INS, CONST, AUTO PRT UL REC					

PREPARED BY: FAREEDA DUDEKULA
 DATE: 9/11/2018

Data Sheet

Date: 12/3/2018
 Customer: _____
 Attention: _____
 Submitted by: FAREEDA DUDEKULA



213TTDWD16060

Submittal

Data @ 460 V

Motor Load Data

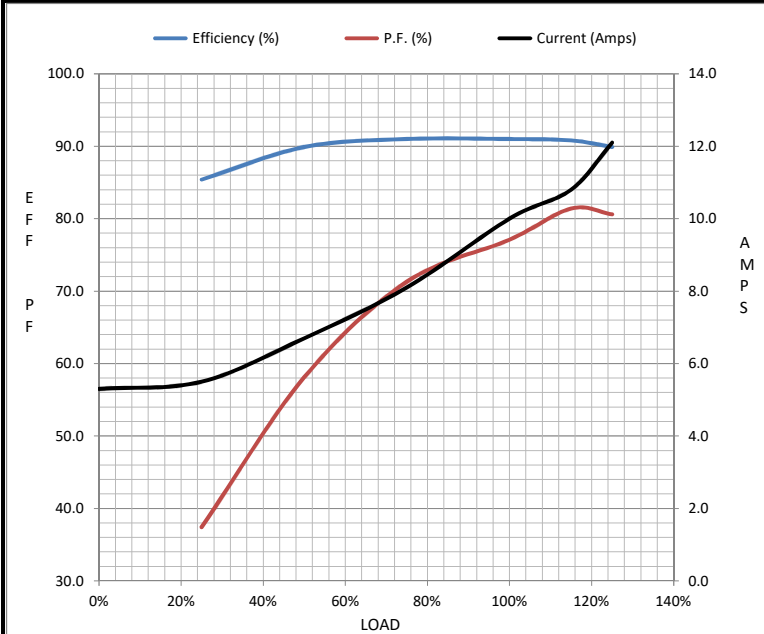
Load	0%	25%	50%	75%	100%	115%	125%	LR
Current (Amps)	5.3	5.5	6.7	8.1	10.0	10.8	12.1	61.0
Torque (ft-lb)	0.00	5.5	11.0	16.6	22.3	25.5	28.0	45.3
RPM	1800	1792	1784	1775	1765	1,755	1748	0
Efficiency (%)		85.4	89.9	91.0	91.0	90.8	89.9	
P.F. (%)	5.2	37.4	58.1	71.3	77.1	81.4	80.6	44.8

Motor Speed Data

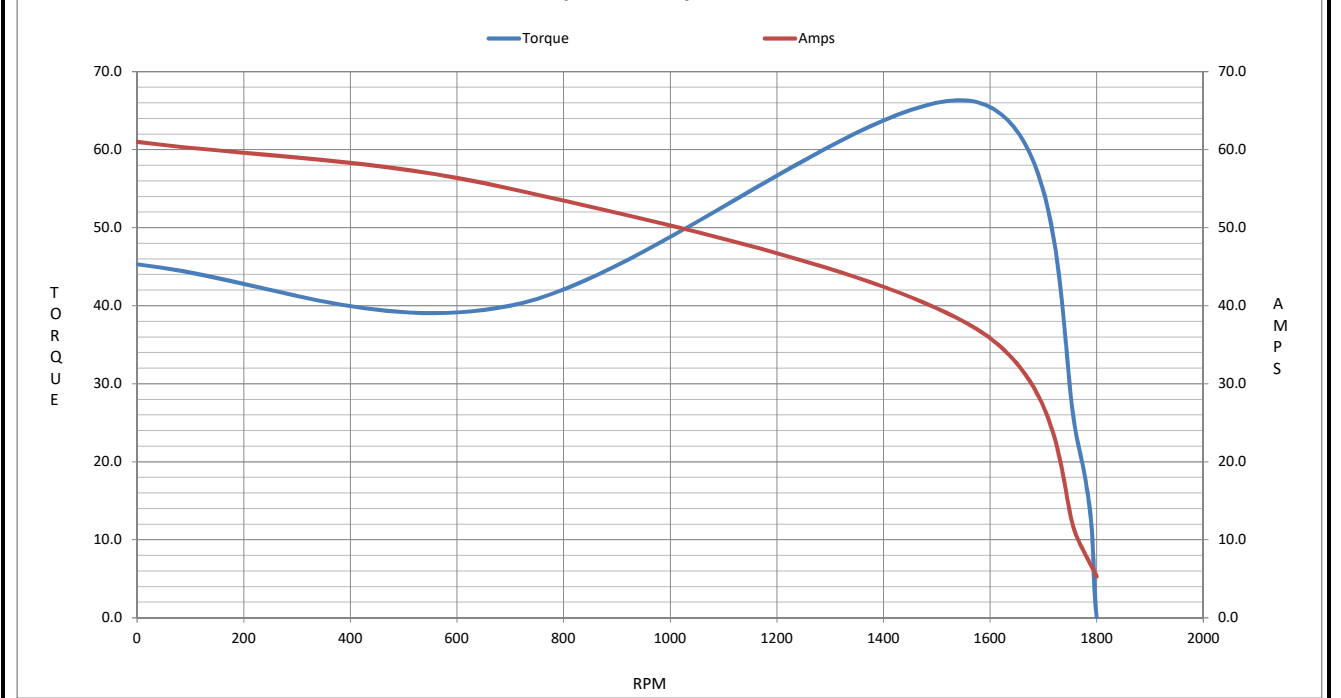
	LR	Pull-Up	BD	Rated	Idle
Speed (RPM)	0	700	1575	1765	1800
Current (Amps)	61.0	55.0	37.0	10.0	5.3
Torque (ft-lb)	45.3	40.0	66.1	22.3	0.00

Information Block

HP	7.5			
Sync. RPM	1800			
Frame	213			
Enclosure	DP			
Construction	TDR			
Voltage	230/460#190/380 V			
Frequency	60 Hz			
Design	B			
LR Code letter	H			
Service Factor	1.15			
Temp Rise @ FL	35 °C			
Duty	CONT			
Ambient	40 °C			
Elevation	1,000 feet			
Rotor/Shaft wk ²	0.85 Lb-Ft ²			
Ref Wdg	K2134278 NONE			
Sound Pressure @ 1M	66 dBA			
VFD Rating	NONE			
Outline Dwg	TBD			
Conn. Diag	005020.04			
Additional Specifications:				
0				
0				
EQUIV CKT (OHMS / PHASE)				
R1	R2	X1	X2	Xm
0.7600	0.5590	2.6080	3.6970	57.4560



Speed - Torque Curve



EC Declaration of Conformity

The undersigned representing
the manufacturer:

Regal Beloit America
100 East Randolph St.
Wausau, WI 54401

and the authorized representative
established within the Community:

Marathon Electric UK
6F Thistleton Road Ind. Estate
Market Overton
Oakham, Rutland LE15 7PP UK

are committed to providing customers with products that comply with applicable regulations and international protocols to which they are subject, including the requirements of the European Parliament Directive on the Harmonization of the laws relating to electrical equipment designed for use within certain voltage limits (2014/35/EU).

Regal Beloit America declares that the following product(s), to which this declaration relates, are in conformity with the relevant sections of the EC standards listed below.

This statement supersedes any statements previously issued pertaining to the product(s) listed below and is subject to change without notice.

Model No : 213TTDWD16060

(Model No. may contain prefix and/or suffix characters)

Catalog No : U430B

Rework No : N/A

Directives :

Low Voltage Directive 2014/35/EU

Harmonized Standards Used :

EN 60034-1: 2010 (IEC 60034-1: 2010)

EN 60034-5: 2001/A1:2007 (IEC 60034-5: 2000/A1:2006)

Authorized Representative:



Michael A. Logsdon
Vice President, Technology

Authorized Representative in the Community:



Julian Clark
Marketing Engineer

Created on 09/01/2022

CE 22