



GE INDUSTRIAL MOTORS
a **WOLONG** company

Product Technical Information

December 25, 2020

Data shown is for the current revision model #. Ensure your nameplate model # matches.

Model Number:	5KS284DAE7026A
Catalog Number:	V4020
Instruction Manual:	GEK-95353
Connection Diagram:	GEM2034E-FIG3
Outline Drawing:	4002B5828NSP5212

Accessory Connection Diagrams

Bearing Thermocouple:	None	Heater:	3027JE-1C
RTD:	None	Thermistor:	None
Thermostat:	None	Winding Thermocouple:	None
Bearing RTD:	None		

Table of Contents

Specification	01
Performance Characteristics	02
Outline Drawing	03
Connection Drawing(s)	04
Spare parts	05

Marks:

MODEL NUMBER:	5KS284DAE7026A	Estimated Weight:	420 Lbs
Outline Drawing:	4002B5828NSP5212	Time Rating:	CONT
Connection Diagram:	GEM2034E-FIG3	Enclosure:	WPI
Instruction Book:	GEK-95353	Encl Construction:	OPEN
Design Code:	28BD3091A	Ambient Max(°C):	40
Type:	KS	Alt Ambient Max(°C):	--
Frame:	L284TP12	Insulation Class:	H
Phases:	3	NEMA Design:	B
Poles:	6	Nominal Efficiency:	91.7 %
Output Power:	15HP 11.1KW	Guaranteed Efficiency:	90.2 %
RPM:	1185	3/4 Load Efficiency:	--
Voltage:	230/460	KVA Code:	G
Hertz:	60	Max KVAR:	6.7
Amps - FL:	39.6/19.8	Power Factor:	77.5
Service Factor:	1.15	Bearing - DE:	7310
Alt Service Factor:	--	Bearing - ODE:	6210-2ZC3

Enclosure is Weather Protected One

Stamped Nameplate Notes:

PREMIUM EFFICIENT MOTOR
 NEMA ENCL WPI AND CSA ENCL DP
 ROT CCW FACING ODE LEAD/PH SEQUENCE 1-2-3/1-2-3
 HTR LDS HE1-HE2 115V 60W
 INVERTER DUTY PER NEMA MG1 PART 31
 ALTERNATE RATING FOR PWM CONTROL:
 1.0 SF VAR TORQUE RANGE 7.5-60 HZ
 SUITABLE FOR 10HP, 190/380V,
 50 HZ WITH 33.4/16.7AMPS AND 990 RPM AT 1.0 SF



Additional Information:

6P - TP EXTN
C/BOX 137 CU IN-1.50 NPT
AUX LEADS EXIT WITH MOTOR LEADS
RCF 5000 CPM, STATIC DEFLECTION .0014 INCHES &
CENTER OF GRAVITY 12.00 INCHES
HOLLOW SHAFT HIGH THRUST
NON REV CPLG W/BX=1.00" KW=0.25"
OIL RESISTANT SLEEVING ON LEADS
BEARING LIFE 8760 HOURS AT 3379 LB THRUST



Performance Characteristics

1st Winding 1st Connection

Design: 28BD3091A

Marks:

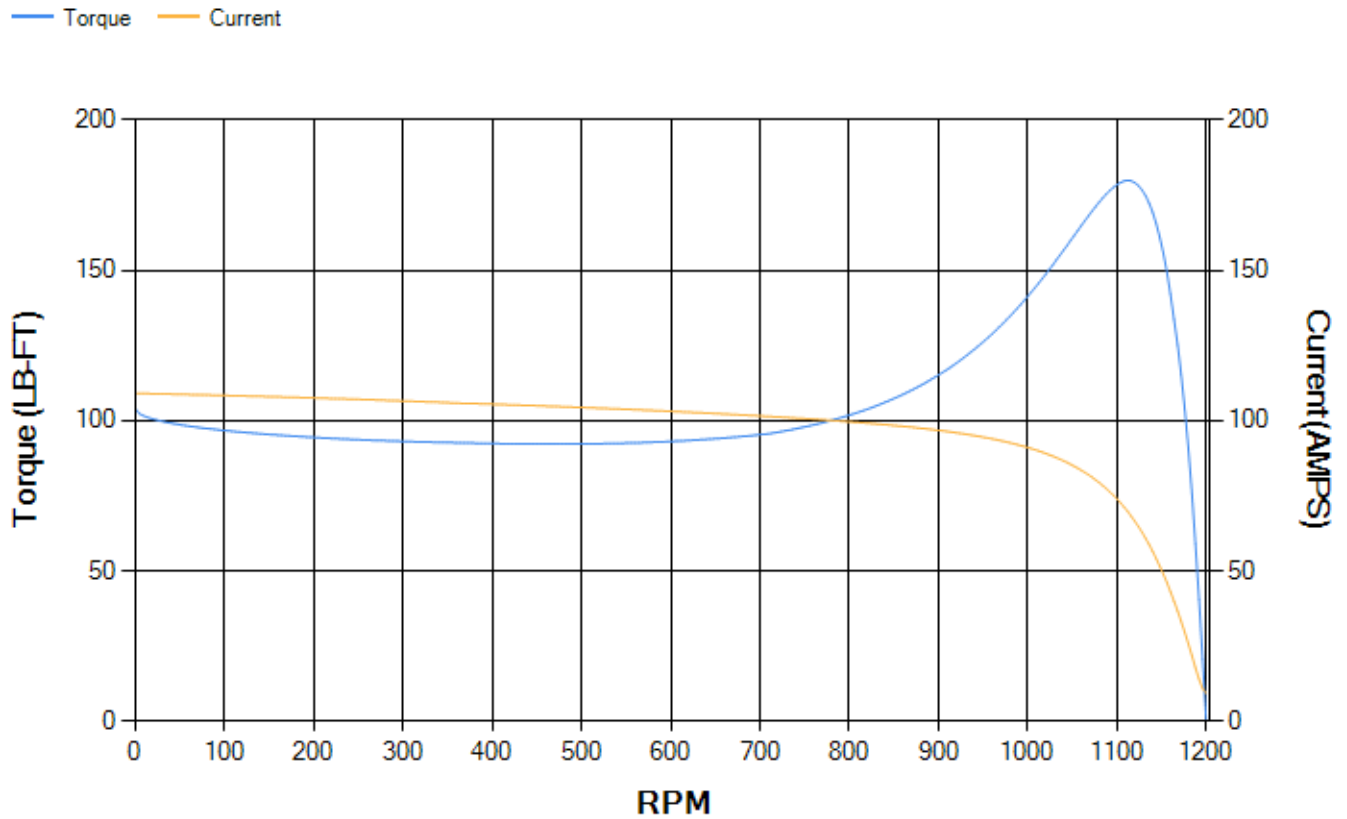
LOAD %	125.0	115.0	100.0	75.0	50.0	25.0	0.0
% EFF	91.44	91.85	92.55	92.79	92.3	88.7	0.00
% PF	80.09	79.3	77.43	71.67	60.16	38.37	4.13
AMPS	23.96	22.17	19.61	15.83	12.64	10.31	9.28

TORQ(FL)#FT	66.53	TORQ(LR)%FL	156.14	TORQ(BD)%FL	269.84
AMPS(LR)	109.12	PF AT START	0.36		

This motor is capable of two cold or one hot start with a maximum connected load inertia of 999 Lb-Ft Sq (42.06 Kg-meter Sq)at 100% voltage, where the load torque varies with the square of the speed. Acceleration time with maximum inertia and the above load type is 45 seconds. Safe stall time at 100% voltage is 100 seconds cold, 76 seconds hot. Rotor inertia is 5.13 Lb-Ft Sq (0.22 Kg-meter Sq).

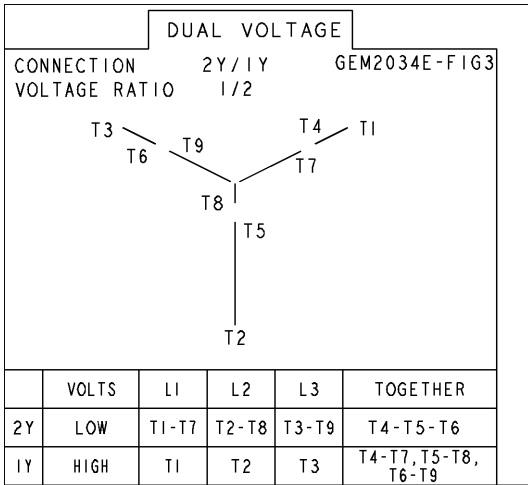
Open Circuit A-C:	0.388	Short Circuit D-C:	0.014
Short Circuit A-C:	0.029	X/R Ratio:	5.223
Stator Slots:	54	Rotor Slots:	42

Speed Torque Current Curve (First Connection, First Speed)

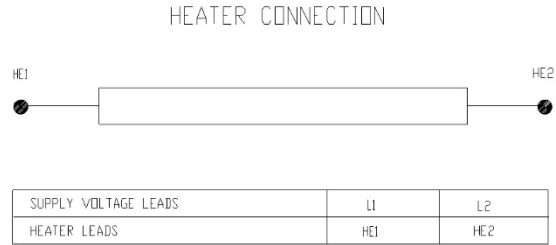


Marks:

Connection Diagram
GEM2034E-FIG3



Heater Connection
3027JE-1C



End shield Assembly		
Part Description	DE Side Part#	ODE Side Part#
End Shield	128D6235AB1	128D6228PA1
Bearing	235A2508ET01	235A2508AK01
Slinger/Inproseal	235A2300FL2	

Fan & Fan Cover Assembly	
Part Description	Part#
Fan	
Fan Cover	

Conduit & Accessories Box Assembly	
Part Description	Part#
Conduit Box	4002B5728PA-G01

Mechanical Accessories	
Part Description	Part#
Brake	
Tachometer	

