



GE INDUSTRIAL MOTORS
a **WOLONG** company

Product Technical Information

December 2, 2020

Data shown is for the current revision model #. Ensure your nameplate model # matches.

Model Number:	5KS213SAE6056A
Catalog Number:	V4026
Instruction Manual:	GEK-95351
Connection Diagram:	GEM2034E-FIG3
Outline Drawing:	4002B5821PMP5323

Accessory Connection Diagrams

Bearing Thermocouple:	None	Heater:	3027JE-1C
RTD:	None	Thermistor:	None
Thermostat:	None	Winding Thermocouple:	None
Bearing RTD:	None		

Table of Contents

Specification	01
Performance Characteristics	02
Outline Drawing	03
Connection Drawing(s)	04
Spare parts	05

Marks:

MODEL NUMBER:	5KS213SAE6056A
Outline Drawing:	4002B5821PMP5323
Connection Diagram:	GEM2034E-FIG3
Instruction Book:	GEK-95351
Design Code:	21BD1005A
Type:	KS
Frame:	L213TP10
Phases:	3
Poles:	4
Output Power:	5HP 3.7KW
RPM:	1770
Voltage:	230/460
Hertz:	60
Amps - FL:	13.2/6.6
Service Factor:	1.15
Alt Service Factor:	1.00

Estimated Weight:	200 Lbs
Time Rating:	CONT
Enclosure:	TEFC
Encl Construction:	SD
Ambient Max(°C):	40
Alt Ambient Max(°C):	65
Insulation Class:	H
NEMA Design:	B
Nominal Efficiency:	89.5 %
Guaranteed Efficiency:	87.5 %
3/4 Load Efficiency:	--
KVA Code:	J
Max KVAR:	2.1
Power Factor:	79.5
Bearing - DE:	7308
Bearing - ODE:	6208-2ZC3

Enclosure is Totally Enclosed Fan-Cooled

Stamped Nameplate Notes:

PREMIUM EFFICIENT MOTOR
 ROT CCW FACING ODE LEAD/PH SEQUENCE 1-2-3/1-2-3
 HTR LDS HE1-HE2 115V 60W
 SEVERE DUTY
 INVERTER DUTY PER NEMA MG1 PART 31
 ALTERNATE RATING FOR PWM CONTROL:
 1.0 SF VAR TORQUE RANGE 5-60 HZ
 50HZ DATA:3 HP 190/380 V WITH FLA-10.2/5.1 A



Additional Information:

4P - TP EXTN
C/BOX 55 CU IN-1.00 NPT
HEATER LEADS EXIT WITH MOTOR LEADS
E/SHLD GROUND STUD MTD ON DE C/BOX SIDE
RCF 5000 CPM, STATIC DEFLECTION .0014 INCHES &
CENTER OF GRAVITY 8.59 INCHES
HOLLOW SHAFT HIGH THRUST
NON REV CPLG W/BX=1.00" KW=0.25"
OIL RESISTANT SLEEVING ON LEADS
BEARING LIFE 8760 HOURS AT 2092 LB THRUST



Performance Characteristics

1st Winding 1st Connection

Design: 21BD1005A

Marks:

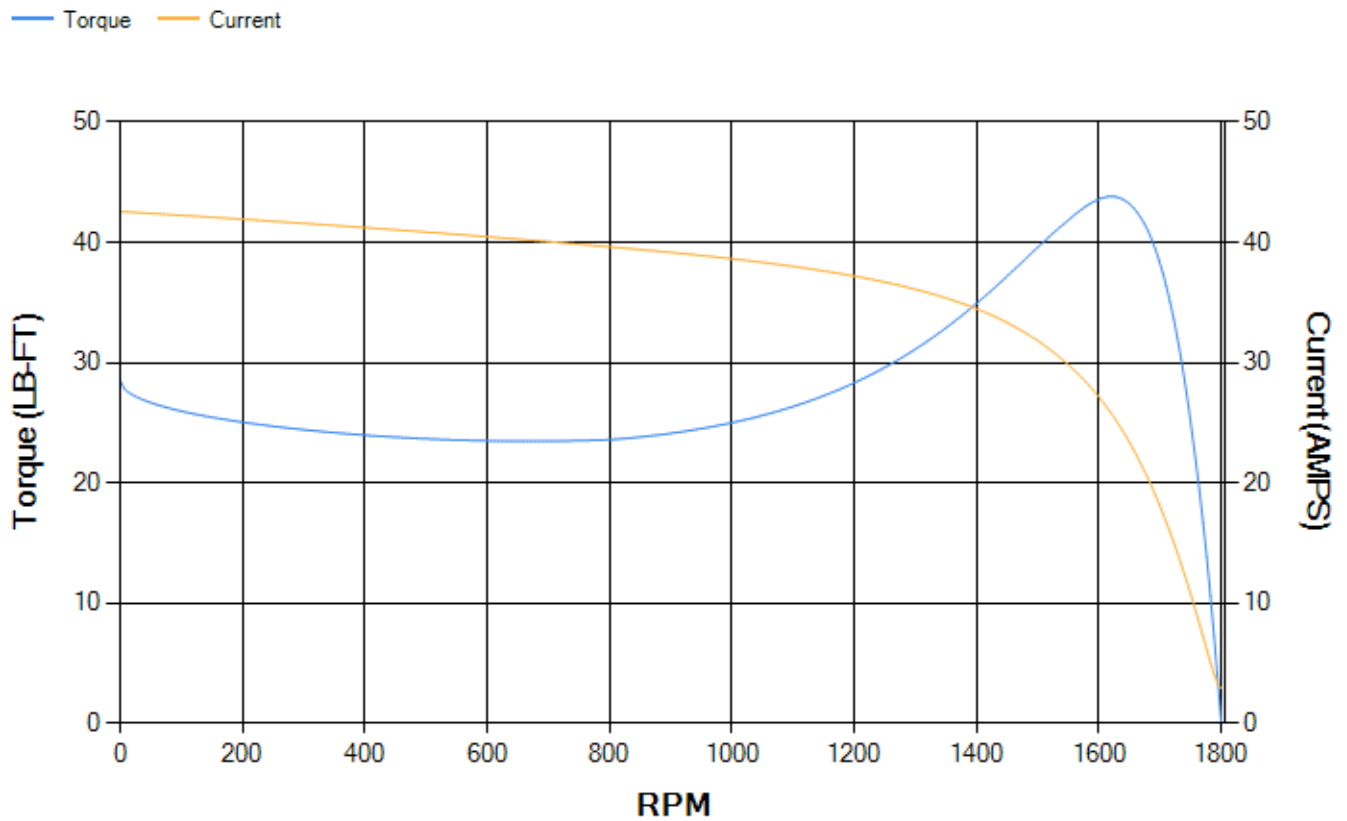
LOAD %	125.0	115.0	100.0	75.0	50.0	25.0	0.0
% EFF	89.17	89.62	90.34	90.45	89.46	84.21	0.00
% PF	81.81	81.15	79.52	74.33	63.57	42.21	6.63
AMPS	8.02	7.4	6.51	5.22	4.11	3.29	2.9

TORQ(FL)#FT	14.84	TORQ(LR)%FL	191.81	TORQ(BD)%FL	293.32
AMPS(LR)	42.57	PF AT START	0.42		

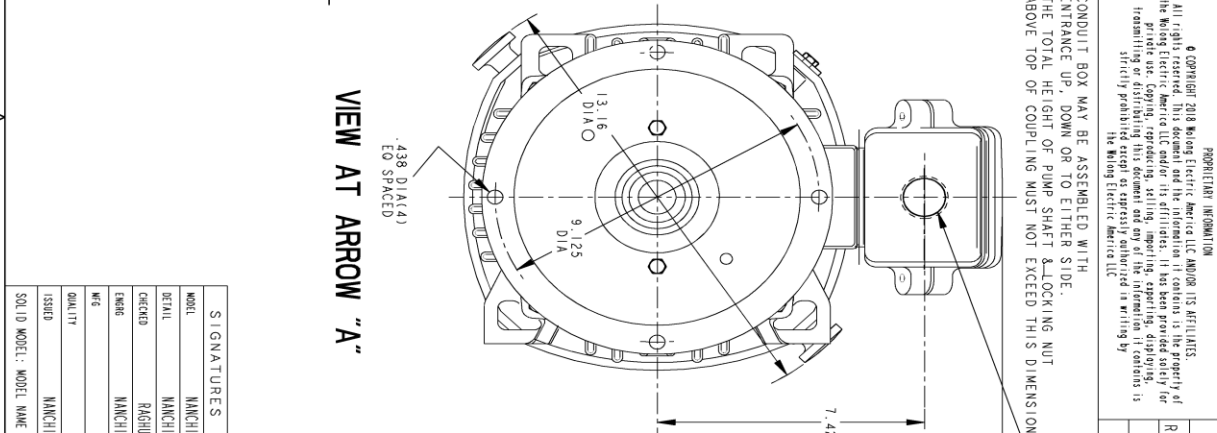
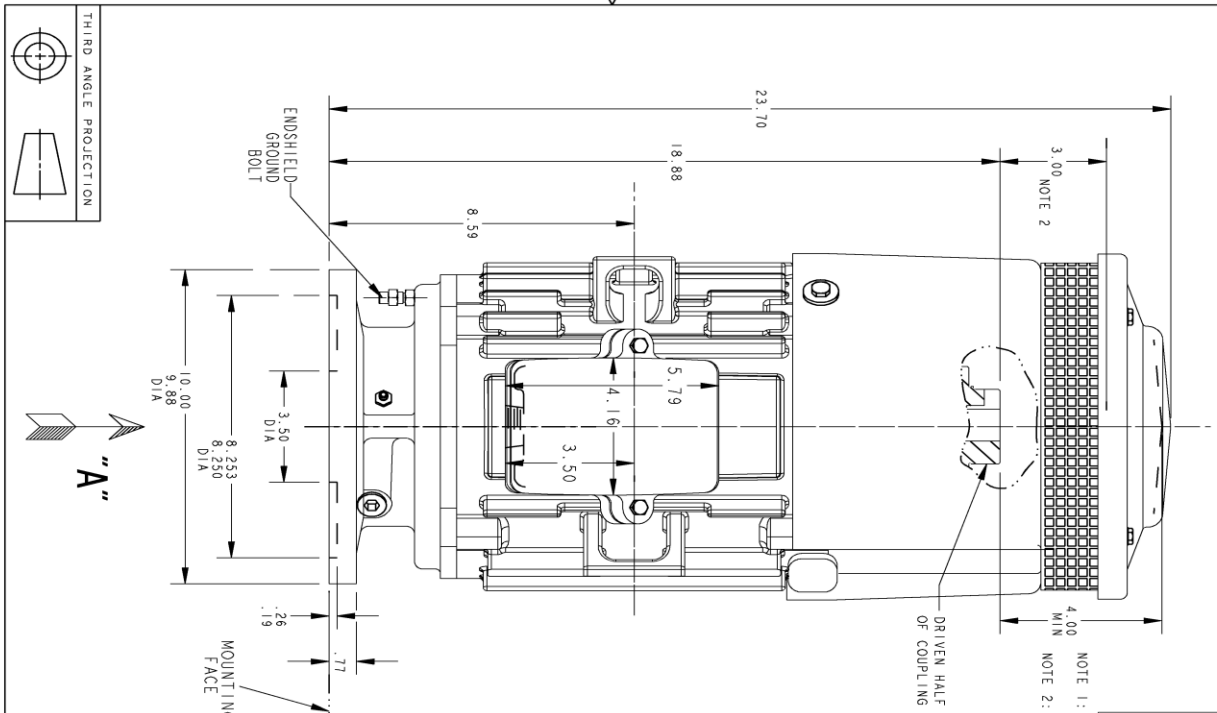
This motor is capable of two cold or one hot start with a maximum connected load inertia of 204 Lb-Ft Sq (8.59 Kg-meter Sq)at 100% voltage, where the load torque varies with the square of the speed. Acceleration time with maximum inertia and the above load type is 51 seconds. Safe stall time at 100% voltage is 113 seconds cold, 85 seconds hot. Rotor inertia is 0.56 Lb-Ft Sq (0.02 Kg-meter Sq).

Open Circuit A-C:	0.325	Short Circuit D-C:	0.011
Short Circuit A-C:	0.02	X/R Ratio:	4.139
Stator Slots:	36	Rotor Slots:	28

Speed Torque Current Curve (First Connection, First Speed)



Marks:



REV.	DESCRIPTION	DATE	APPROVED
1	ISSAC# 14-0928	11/14/14	VI JAY
2	ISSAC# 18-0869	11/02/18	PRASHANTH

COUPLING KIT	POLES	BORE DIA. "BY"	KEYWAY "W"	"D"
1	6	1.002		
2	7	.939	.250	.125
3	8	.877		
4	9	.752	.188	.094
5	10	.751		
6	11	1.002		
7	12	.938	.250	.125
8	13	.877		
9	14	.752	.188	.094
10	15	.751		

SIGNATURES	DATE
MANCH	11/13/13
MANCH	11/13/13
MANCH	11/13/13
MANCH	11/13/13
MANCH	11/13/13
MANCH	11/13/13

GE INDUSTRIAL MOTORS a WOLONG company	
TITLE: INDUCTION MOTOR OUTLINE HOLLOW SHAFT-HIGH THRUST (B3-10), EXT ON DE SIDE FME: FR20 TFC "P" BASE VERTICAL	
SIZE: DRAWING 4002B5821PMP5323	SCALE: DRAWING SHEET 1 OF 1

PROPRIETARY INFORMATION
 © COPYRIGHT 2018 Wolong Electric America LLC AND/OR ITS AFFILIATES. All rights reserved. This document and the information it contains is the property of Wolong Electric America LLC and/or its affiliates. It has been provided solely for the use of the recipient and is not to be distributed, copied, or otherwise transmitted in any form or by any means, electronic or mechanical, including photocopying, recording, or by any information storage and retrieval system, without the prior written permission of Wolong Electric America LLC. Any unauthorized use is strictly prohibited except as expressly authorized in writing by Wolong Electric America LLC.

NOTE 1: CONDUIT BOX MAY BE ASSEMBLED WITH ENTRANCE UP, DOWN OR TO EITHER SIDE.
 NOTE 2: THE TOTAL HEIGHT OF PUMP SHAFT & LOCKING NUT ABOVE TOP OF COUPLING MUST NOT EXCEED THIS DIMENSION. (SEE NOTE 1)

Marks:

Connection Diagram
GEM2034E-FIG3



Heater Connection
3027JE-1C



End shield Assembly		
Part Description	DE Side Part#	ODE Side Part#
End Shield	128D6027PA1	128D6028PA1
Bearing	235A2503EJ01	235A2503AA01
Slinger/Inproseal	235A2300FL1	

Fan & Fan Cover Assembly	
Part Description	Part#
Fan	
Fan Cover	4003C5521AC-G01

Conduit & Accessories Box Assembly	
Part Description	Part#
Conduit Box	4002B5721PA-G01

Mechanical Accessories	
Part Description	Part#
Brake	
Tachometer	

