



**GE INDUSTRIAL MOTORS**  
a **WOLONG** company

# Product Technical Information

September 9, 2022

Data shown is for the current revision model #. Ensure your nameplate model # matches.

<b>Model Number:</b>	<b>5KS256DAE5039A</b>
<b>Catalog Number:</b>	<b>V4033</b>
<b>Instruction Manual:</b>	GEK-95353
<b>Connection Diagram:</b>	GEM2034E-FIG9
<b>Outline Drawing:</b>	4002B5825NSP5212

## Accessory Connection Diagrams

<b>Bearing Thermocouple:</b>	None	<b>Heater:</b>	3027JE-1C
<b>RTD:</b>	None	<b>Thermistor:</b>	None
<b>Thermostat:</b>	None	<b>Winding Thermocouple:</b>	None
<b>Bearing RTD:</b>	None		

## Table of Contents

Specification	01
Performance Characteristics	02
Outline Drawing	03
Connection Drawing(s)	04
Spare parts	05

Marks:

<b>MODEL NUMBER:</b>	<b>5KS256DAE5039A</b>
<b>Outline Drawing:</b>	4002B5825NSP5212
<b>Connection Diagram:</b>	GEM2034E-FIG9
<b>Instruction Book:</b>	GEK-95353
<b>Design Code:</b>	25BD0072A
<b>Type:</b>	KS
<b>Frame:</b>	L256TP12
<b>Phases:</b>	3
<b>Poles:</b>	2
<b>Output Power:</b>	20HP 14.8KW
<b>RPM:</b>	3550
<b>Voltage:</b>	230/460
<b>Hertz:</b>	60
<b>Amps - FL:</b>	46.0/23.0
<b>Service Factor:</b>	1.15
<b>Alt Service Factor:</b>	--

<b>Estimated Weight:</b>	315 Lbs
<b>Time Rating:</b>	CONT
<b>Enclosure:</b>	WPI
<b>Encl Construction:</b>	OPEN
<b>Ambient Max(°C):</b>	40
<b>Alt Ambient Max(°C):</b>	--
<b>Insulation Class:</b>	H
<b>NEMA Design:</b>	B
<b>Nominal Efficiency:</b>	91.0 %
<b>Guaranteed Efficiency:</b>	89.5 %
<b>3/4 Load Efficiency:</b>	--
<b>KVA Code:</b>	G
<b>Max KVAR:</b>	3.3
<b>Power Factor:</b>	89.5
<b>Bearing - DE:</b>	7309
<b>Bearing - ODE:</b>	6209-2ZC3

Enclosure is Weather Protected One

---

Stamped Nameplate Notes:

PREMIUM EFFICIENT MOTOR  
 NEMA ENCL WPI AND CSA ENCL DP  
 ROT CCW FACING ODE LEAD/PH SEQUENCE 1-2-3/1-2-3  
 HTR LDS HE1-HE2 115V 60W  
 INVERTER DUTY PER NEMA MG1 PART 31  
 ALTERNATE RATING FOR PWM CONTROL:  
 1.0 SF VAR TORQUE RANGE 2.5-60 HZ  
 SUITABLE FOR 15HP, 190/380V,  
 50 HZ WITH 41.8/20.9AMPS AND 2955 RPM AT 1.0 SF



**Additional Information:**

2P - TP EXTN  
C/BOX 137 CU IN-1.25 NPT  
AUX LEADS EXIT WITH MOTOR LEADS  
RCF 5000 CPM, STATIC DEFLECTION .0014 INCHES &  
CENTER OF GRAVITY 10.75 INCHES  
HOLLOW SHAFT HIGH THRUST  
NON REV CPLG W/BX=1.00" KW=0.25"  
OIL RESISTANT SLEEVING ON LEADS  
BEARING LIFE 4365 HOURS AT 2600 LB THRUST  
BEARING LIFE 8760 HOURS AT 2048 LB THRUST



**Performance Characteristics**

1st Winding 1st Connection

**Design: 25BD0072A**

**Marks:**

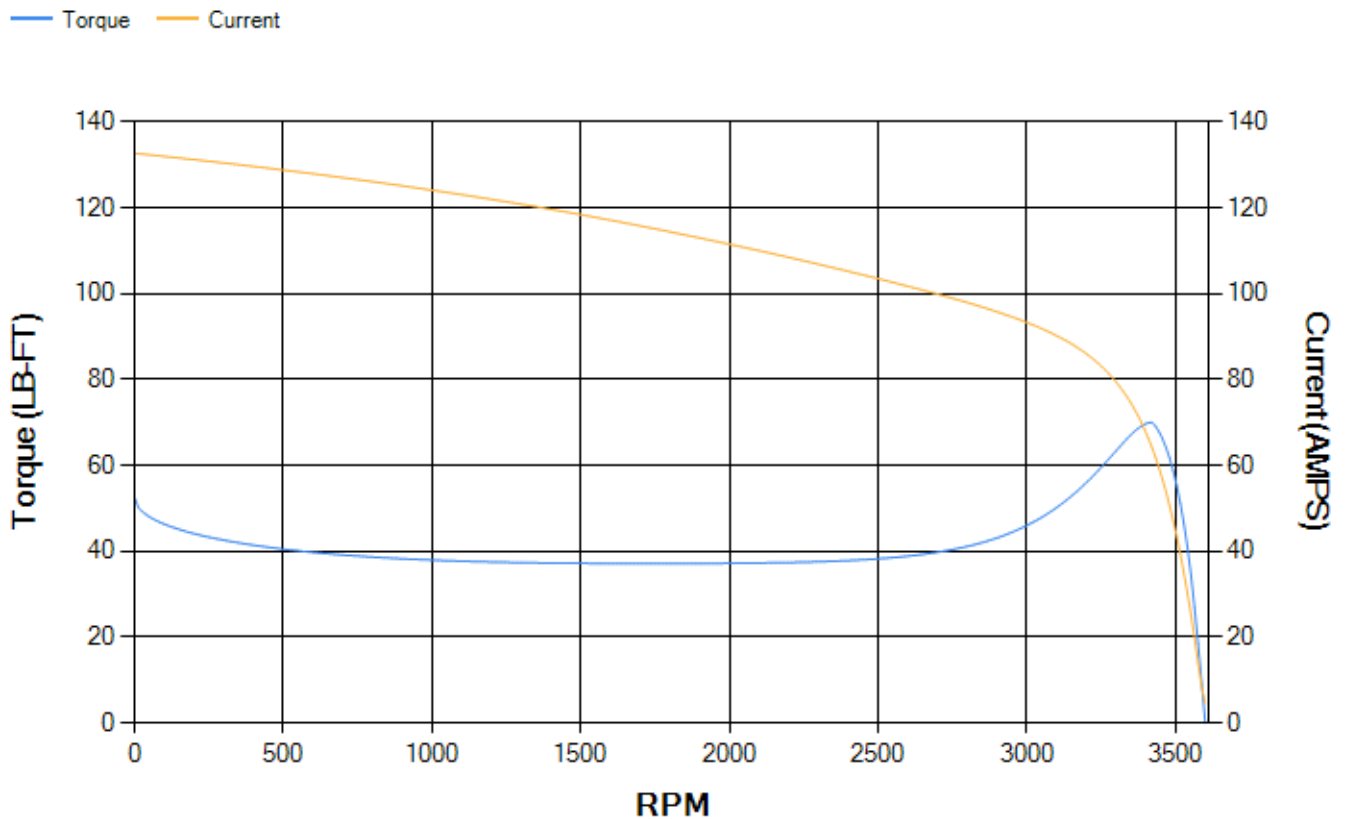
LOAD %	125.0	115.0	100.0	75.0	50.0	25.0	0.0
% EFF	89.2	90.05	91.31	92.34	92.71	90.48	0.00
% PF	87.78	88.59	89.31	89.16	85.92	71.84	8.68
AMPS	29.88	26.98	22.96	17.05	11.75	7.2	4.58

<b>TORQ(FL)#FT</b>	29.6	<b>TORQ(LR)%FL</b>	177.44	<b>TORQ(BD)%FL</b>	235.62
<b>AMPS(LR)</b>	132.76	<b>PF AT START</b>	0.31		

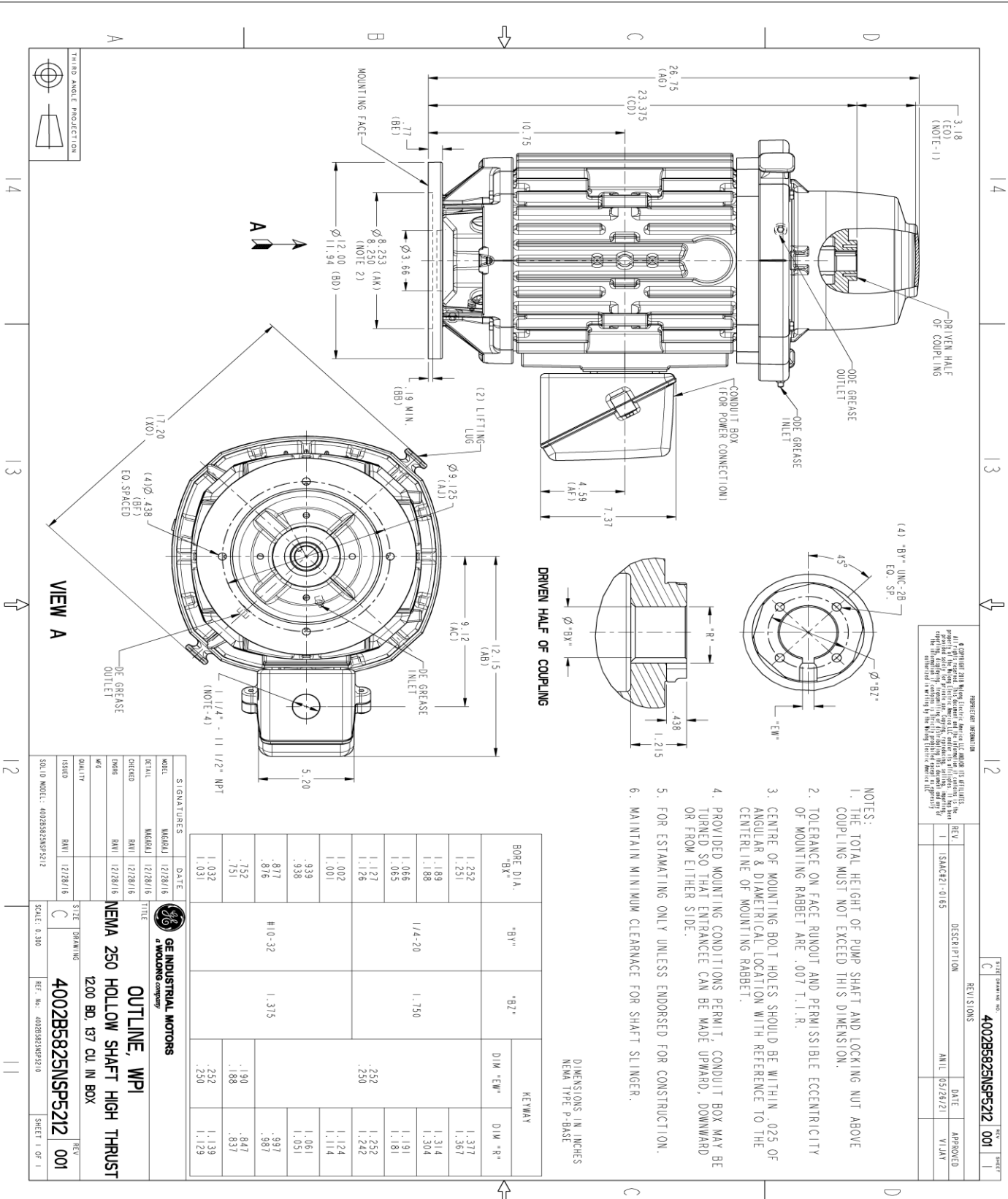
This motor is capable of two cold or one hot start with a maximum connected load inertia of 126 Lb-Ft Sq (5.3 Kg-meter Sq)at 100% voltage, where the load torque varies with the square of the speed. Acceleration time with maximum inertia and the above load type is 46 seconds. Safe stall time at 100% voltage is 79 seconds cold, 64 seconds hot. Rotor inertia is 1.17 Lb-Ft Sq (0.05 Kg-meter Sq).

<b>Open Circuit A-C:</b>	0.981	<b>Short Circuit D-C:</b>	0.013
<b>Short Circuit A-C:</b>	0.034	<b>X/R Ratio:</b>	5.027
<b>Stator Slots:</b>	36	<b>Rotor Slots:</b>	26

**Speed Torque Current Curve (First Connection, First Speed)**



Marks:



REVISION INFORMATION  
 4. COPYRIGHT 2018 GE. ALL RIGHTS RESERVED. GE, THE GE MONOGRAM, GE INDUSTRIAL MOTORS, AND THE GE MONOGRAM COMPANY LOGO ARE REGISTERED TRADEMARKS OF GE. ALL OTHER TRADEMARKS ARE THE PROPERTY OF THEIR RESPECTIVE OWNERS. THIS DRAWING IS THE PROPERTY OF GE. IT IS TO BE USED ONLY FOR THE PROJECT AND QUANTITY SPECIFIED. IT IS NOT TO BE REPRODUCED, COPIED, OR TRANSMITTED IN ANY FORM OR BY ANY MEANS, ELECTRONIC OR MECHANICAL, INCLUDING PHOTOCOPYING, RECORDING, OR BY ANY INFORMATION STORAGE AND RETRIEVAL SYSTEM, WITHOUT THE WRITTEN PERMISSION OF GE. THE INFORMATION CONTAINED HEREIN IS UNCLASSIFIED.

REV.	DESCRIPTION	DATE	APPROVED
1	15AKC21-0155	05/26/21	VJAY

- NOTES:
- THE TOTAL HEIGHT OF PUMP SHAFT AND LOCKING NUT ABOVE COUPLING MUST NOT EXCEED THIS DIMENSION.
  - TOLERANCE ON FACE RUNOUT AND PERMISSIBLE ECCENTRICITY OF MOUNTING RABBIT ARE .007 T.I.R.
  - CENTRE OF MOUNTING BOLT HOLES SHOULD BE WITHIN .025 OF ANGULAR & DIAMETRICAL LOCATION WITH REFERENCE TO THE CENTERLINE OF MOUNTING RABBIT.
  - PROVIDED MOUNTING CONDITIONS PERMIT, CONDUIT BOX MAY BE TURNED SO THAT ENTRANCE CAN BE MADE UPWARD, DOWNWARD OR FROM EITHER SIDE.
  - FOR ESTIMATING ONLY UNLESS ENDORSED FOR CONSTRUCTION.
  - MAINTAIN MINIMUM CLEARANCE FOR SHAFT SLINGER.

DIMENSIONS IN INCHES  
 NEMA TYPE P-BASE

BORE DIA. "BX"	"BY"	"BZ"	KEYWAY		
			D1W "EW"	D1W "R"	D1W "R"
1.252				1.377	
1.251				1.367	
1.189				1.314	
1.188	1/4-20	1.750		1.304	
1.066				1.191	
1.065				1.181	
1.127			.252	1.252	
1.126			.250	1.242	
1.002				1.124	
1.001				1.114	
.939				1.061	
.938				1.051	
.877	#10-32	1.375		.997	
.876				.987	
.752				.847	
.751				.837	
1.032				1.139	
1.031				1.129	

**GE INDUSTRIAL MOTORS**  
 a WOLONG company

**OUTLINE, WPI**  
 NEMA 250 HOLLOW SHAFT HIGH THRUST  
 1200 BD, 137 CU, IN BOX

4002B5825NSP5212  
 001

SCALE: 0.300

SHEET 1 OF 1

SIGNATURES	DATE
MGRAL	12/28/16
CHKED	12/28/16
DRGNG	12/28/16
WFS	
QUALITY	
ISSUED	12/28/16

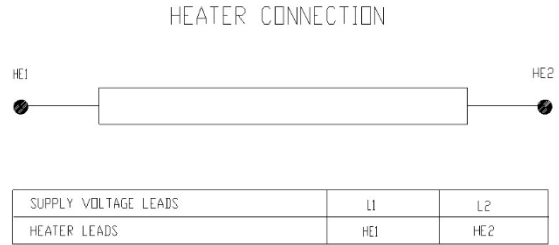


Marks:

**Connection Diagram**  
**GEM2034E-FIG9**



**Heater Connection**  
**3027JE-1C**



End shield Assembly		
Part Description	DE Side Part#	ODE Side Part#
End Shield	128D6125PA1	128D6128PA1
Bearing	235A2507AC01	235A2507EE01
Slinger/Inproseal	235A2300FL3	

Fan & Fan Cover Assembly	
Part Description	Part#
Fan	
Fan Cover	

Conduit & Accessories Box Assembly	
Part Description	Part#
Conduit Box	4002B5728PA-G04

Mechanical Accessories	
Part Description	Part#
Brake	
Tachometer	

